

# C7 - SERIES

## SPECIFICATIONS AND ORDERING INFORMATION

2 1/32" DIAMETER 1.0 AMP @ 28 VDC

The C7 Series provides a fully enclosed, modular design that enables switching up to 24 positions. Our standard design offers 15° indexing, and solder lug terminals.



### SPECIFICATIONS

#### ELECTRICAL

**Current and Voltage Rating:** Make and break resistive load  
1.0 amp @ 28 VDC; 0.5 amp @ 125 VAC.  
**Current Carrying Capacity:** 25 amps.  
**Dielectric Strength:** 1,000 VAC between current carrying parts and ground.  
**Contact Resistance:** Average initial 3 milliohms.  
**Insulation Resistance:** In excess of 10,000 megohms.

**Hardware:** Mounting nut and lockwasher are shipped assembled.

#### MECHANICAL

**Materials and Finishes:** All parts utilize non-corrosive materials as standard.  
**Terminals and Contacts:** Brass with silver plate as standard.  
**Insulation:** Diallyl phthalate.  
**Index:** Single-ball, hill and valley.  
**Index Life:** 25,000 cycles minimum.  
**Index Torque:** Switches have lowest practical torque consistent with crisp detenting and smooth, reliable operation.  
**Index Angles:** 15° standard, 30°, 60°, and 90° available.  
**Index Stops:** Fixed standard, continuous, or adj. available.  
**Stop Strength:** 25 in. lbs. minimum.

### STANDARD PART NUMBER

#### 15° INDEXING - FIXED STOPS SOLDER LUG TERMINALS

POLES	ACTIVE POSITIONS	POLES/ DECK	NO. OF DECKS	SHORTING	NON-SHORTING	FIG. *
01	23	1	1	C7D0123S	C7D0123N	CF
02	23	1	2	C7D0223S	C7D0223N	CF
03	23	1	3	C7D0323S	C7D0323N	CF
04	23	1	4	C7D0423S	C7D0423N	CF

#### 30° INDEXING

POLES	ACTIVE POSITIONS	POLES/ DECK	NO. OF DECKS	SHORTING	NON-SHORTING	FIG. *
01	12	1	1	C7D0112S -30	C7D0112N -30	CA
02	12	1	2	C7D0212S -30	C7D0212N -30	CA
03	12	1	3	C7D0312S -30	C7D0312N -30	CA

#### 15° INDEXING - CONTINUOUS ROTATION SOLDER LUG TERMINALS

POLES	ACTIVE POSITIONS	POLES/ DECK	NO. OF DECKS	SHORTING	NON-SHORTING	FIG. *
01	24	1	1	C7D0124S - C	C7D0124N - C	CG
02	24	1	2	C7D0224S - C	C7D0224N - C	CG
03	24	1	3	C7D0324S - C	C7D0324N - C	CG
04	24	1	4	C7D0424S - C	C7D0424N - C	CG

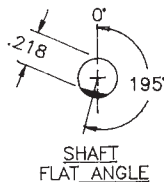
#### 30° INDEXING

POLES	ACTIVE POSITIONS	POLES/ DECK	NO. OF DECKS	SHORTING	NON-SHORTING	FIG. *
01	12	1	1	C7D0112S -30C	C7D0112N -30C	CA
02	12	1	2	C7D0212S -30C	C7D0212N -30C	CA
03	12	1	3	C7D0312S -30C	C7D0312N -30C	CA

\* FIGURES ARE SHOWN ON PAGE 55.

### DIMENSIONS

#### STANDARD CONSTRUCTION - 15° INDEX ANGLE (3 WAFER DECK)



- NOTE:  
1. ONE DECK EQUALS THREE WAFERS.  
2. ADD .468" FOR EACH ADDITIONAL DECK.



## How to Order Additional Options:

2 DIGIT SERIES	INSULATION TYPE	TOTAL POLES	ACTIVE POSITIONS	CONTACT TYPE	TERMINAL TYPE	INDEX ANGLE	STOP TYPE	SHAFT/BUSHING	SHAFT FLAT
C7	D - DIALLYL	01 - MIN.	24 - MAX @ 15°	S - SHORTING N - NON SHORTING	L - SOLDER LUG Q - QUICK CONNECT	15°	F - FIXED 23 - POS. MAX C - CONT. 24 - POS. MAX A - Adjustable	SEE CHART "A"	SEE CHART "B"
C7	D - DIALLYL	01 - MIN.	12 - MAX @ 30° 06 - MAX @ 60° 04 - MAX @ 90°	S - SHORTING N - NON SHORTING	L - SOLDER LUG30° Q - QUICK CONNECT	60° 90°	A23 - POS. MAX	SEE CHART "A"	SEE CHART "B"

CUSTOMERS SPECIFIED ORDER NUMBER FOR STANDARD OPTIONS				ADDITIONAL OPTIONS					
<b>C</b>	<b>7</b>	<b>D</b>							
		(SPECIFY)	(SPECIFY)	(SPECIFY)	(SPECIFY)	(SPECIFY)	(SPECIFY)	(SPECIFY)	(SPECIFY)

SHORTING AND NON-SHORTING SWITCHING IS NOT GUARANTEED ON THE 15° INDEXING C7 SERIES.

### SHAFT AND FLAT OPTIONS

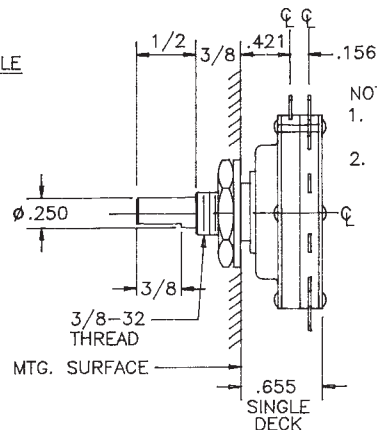
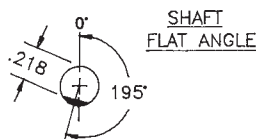
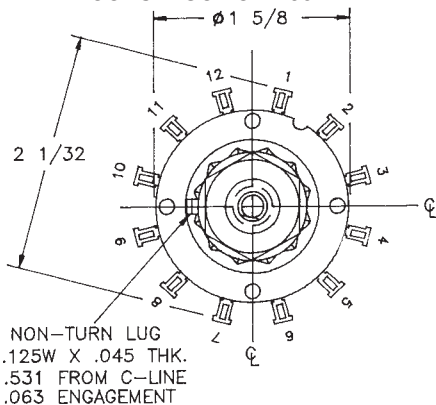
P/N OPT.	SHAFT LGTH. "A"
01	1/4
02	1/2
03	9/16
04	3/4
05	7/8
06	1

P/N OPT.	FLAT ANGLE
U	15°
W	165°
Y	195°
Z	345°

SHAFT AS VIEWED WITH NON-TURN LUG AT 9 O'CLOCK AND SHAFT IN EXTREME CCW POSITION.

### DIMENSIONS

STANDARD CONSTRUCTION - 30° INDEX ANGLE (2 WAFER DECK)



CUSTOM SWITCHES ARE AVAILABLE. CONTACT THE FACTORY WITH YOUR COMPLETE SPECIFICATIONS.

## X-ON Electronics

Largest Supplier of Electrical and Electronic Components

*Click to view similar products for [Rotary Switches](#) category:*

*Click to view products by [Electroswitch](#) manufacturer:*

Other Similar products are found below :

[57HS22-02-2-06N](#) [57M22-02B16N](#) [57M22-09A16N](#) [M3786/4-0881](#) [M3786/4-3267](#) [M3786/4-5568](#) [M3786/4-6029](#) [71ESF30-05204N](#)  
[MC06L1NCGF](#) [84986-26](#) [9003K2C003GA](#) [PLR3251](#) [PLR3262](#) [PS3](#) [A0142M2SP](#) [A029303](#) [R2AA4455NNNN](#) [R2BB4455NNNN](#) [DR75-](#)  
[AMSF-10R-B](#) [1703.3201](#) [HW1MS-0202-101](#) [24002-03S](#) [A029101](#) [ACSNO-129-YB-C1014](#) [ACSNO-134-RR-YB-C1005](#) [ACSNO-353-SB-](#)  
[C3016](#) [1825537-4](#) [T505](#) [T505E](#) [24005-03N](#) [H10207RR01Q](#) [M3786/39-4ZC](#) [M3786/4-0002](#) [M3786/4-0630](#) [M3786/4-1028L](#) [M3786/4-](#)  
[1233L](#) [M3786/4-3044](#) [M3786/4-3129](#) [M3786/4-5008L](#) [M3786/4-5256](#) [MC6CX1A502X009](#) [42HS36-01-1-06N](#) [42P36-03B10S](#) [44MBS60-](#)  
[04-2-03N](#) [44MG90-02-1-02N](#) [50KMT90-01-2-02N](#) [51A22-01-1-16S](#) [51CDP30-01PAJN](#) [51KSP30-01D04N](#) [51P30-01B12N](#)