

D2 - SERIES

SPECIFICATIONS AND ORDERING INFORMATION

1" DIAMETER 0.55 AMP @ 28 VDC

The D2 Series switch is used where space is at a premium. This dual-ball side thrust index offers exceptional torque control and is available in 30°, 36°, 45°, and 60° angles. Standard designs utilize diallyl phthalate or ceramic insulation, solder lug terminals, and 30° adjustable stop indexing.



SPECIFICATIONS

ELECTRICAL

Current and Voltage Rating: Make and break resistive load
0.55 amp @ 28 VDC; 0.25 amp @ 115 VAC.
Current Carrying Capacity: 7 amps.
Dielectric Strength: 750 VAC between current carrying parts and ground.
Contact Resistance: Average initial 5 milliohms.
Insulation Resistance: Diallyl in excess of 900,000 megohms.
Glass in excess of 750,000 megohms.
Ceramic in excess of 1,000,000 megohms.
Hardware: Mounting nut and lockwasher are shipped assembled.

MECHANICAL

Materials and Finishes: All parts utilize non-corrosive materials as standard.
Clips and Rotors: Brass with silver plate as standard.
Insulation: Diallyl phthalate, glass, or ceramic.
Index: Dual-ball, side thrust design.
Index Life: 25,000 cycles minimum.
Index Torque: Switches have lowest practical torque consistent with crisp detenting and smooth, reliable operation.
Index Angles: Positive 30° standard, 36°, 45°, and 60° available.
Index Stops: Adjustable standard, fixed or continuous.
Stop Strength: 10 in. lbs. minimum.

STANDARD PART NUMBER

DIALLYL PHTHALATE INSULATION - ADJUSTABLE STOPS

SWITCHES - SOLDER LUG TERMINALS - 30° INDEX - SET @ 2 POS.

| POLES | ACTIVE POSITIONS | POLES/SECTION | NO. OF SECTIONS | SHORTING | NON-SHORTING | FIG. * |
|-------|------------------|---------------|-----------------|----------|--------------|--------|
| 01 | 02-12 | 1 | 1 | D2D0112S | D2D0112N | DE |
| 02 | 02-06 | 2 | 1 | D2D0206S | D2D0206N | DL |
| 02 | 02-12 | 1 | 2 | D2D0212S | D2D0212N | DE |
| 03 | 02-05 | 3 | 1 | D2D0305S | D2D0305N | DO |
| 03 | 02-12 | 1 | 3 | D2D0312S | D2D0312N | DE |
| 04 | 02-06 | 2 | 2 | D2D0406S | D2D0406N | DL |
| 06 | 02-05 | 3 | 2 | D2D0605S | D2D0605N | DO |
| 06 | 02-06 | 2 | 3 | D2D0606S | D2D0606N | DL |

CERAMIC INSULATION - ADJUSTABLE STOPS

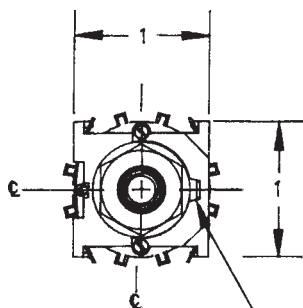
SWITCHES - SOLDER LUG TERMINALS - 30° INDEX - SET @ 2 POS. - 1/8 DIA. SHAFT

| POLES | ACTIVE POSITIONS | POLES/SECTION | NO. OF SECTIONS | SHORTING | NON-SHORTING | FIG. * |
|-------|------------------|---------------|-----------------|----------|--------------|--------|
| 01 | 02-11 | 1 | 1 | D2C0111S | D2C0111N | DB |
| 02 | 02-05 | 2 | 1 | D2C0205S | D2C0205N | DG |
| 02 | 02-11 | 1 | 2 | D2C0211S | D2C0211N | DB |
| 03 | 02-03 | 3 | 1 | D2C0303S | D2C0303N | DN |
| 03 | 02-11 | 1 | 3 | D2C0311S | D2C0311N | DB |
| 04 | 02-05 | 2 | 2 | D2C0405S | D2C0405N | DG |
| 06 | 02-05 | 2 | 3 | D2C0605S | D2C0605N | DG |
| 06 | 02-03 | 3 | 2 | D2C0603S | D2C0603N | DN |

* FIGURES ARE SHOWN ON PAGES 55 AND 56.

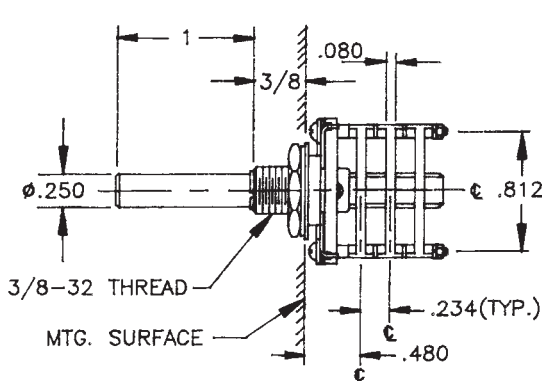
DIMENSIONS

STANDARD CONSTRUCTION

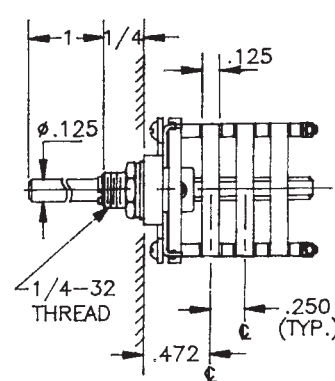


NON-TURN LUG
.125W X .035 THK.
.375 FROM ϵ
.063 ENGAGEMENT

D2D DIALLYL PHTHALATE INSULATION



D2C CERAMIC INSULATION

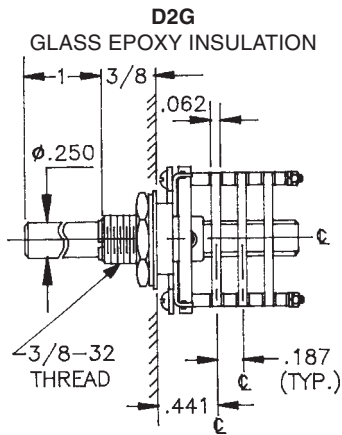


How to Order Additional Options:

| 2 DIGIT SERIES | INSULATION TYPE | TOTAL POLES | ACTIVE POSITIONS | CONTACT TYPE | TERMINAL TYPE | INDEX ANGLE | STOP TYPE | SHAFT/ BUSHING | SHAFT FLAT |
|----------------|---|-------------|--|----------------------------------|---|--------------------------|------------------------------------|----------------|---------------|
| D2 | D - DIALLYL (30°, 45°, 60°) G - GLASS (30°, 36°, 45°, 60°) | 01 - MIN. | 12 - MAX @ 30° 10 - MAX @ 36° 08 - MAX @ 45° 06 - MAX @ 60° | S - SHORTING N - NON SHORTING | L - SOLDER LUG V - VERT. P.C. 30° R - (REAR P.C. NOT CERAMIC) | 30° 36° 45° 60° | A - ADJ. F - FIXED C - CONT. | SEE CHART "A" | SEE CHART "B" |
| D2 | C - CERAMIC (30°, 60°) 1/8 SHAFT | 01 - MIN. | 11 - MAX @ 30° | S - SHORTING N - NON SHORTING | L - SOLDER LUG | 30° 60° | A - ADJ. F - FIXED C - CONT. | SEE CHART "A" | SEE CHART "B" |

| CUSTOMERS SPECIFIED ORDER NUMBER FOR STANDARD OPTIONS | | | | | ADDITIONAL OPTIONS | | | | |
|---|----------|--------------------------|--------------------------|--------------------------|--------------------------|--------------------------|--------------------------|--------------------------|--------------------------|
| D | 2 | <input type="checkbox"/> | <input type="checkbox"/> | <input type="checkbox"/> | <input type="checkbox"/> | <input type="checkbox"/> | <input type="checkbox"/> | <input type="checkbox"/> | <input type="checkbox"/> |
| | | (SPECIFY) | (SPECIFY) | (SPECIFY) | (SPECIFY) | (SPECIFY) | (SPECIFY) | (SPECIFY) | (SPECIFY) |

INSULATION OPTION



SHAFT, BUSHING, AND FLAT OPTIONS

NOTE: DIMENSIONS IN () ARE FOR P/N'S BEGINNING WITH D2C.

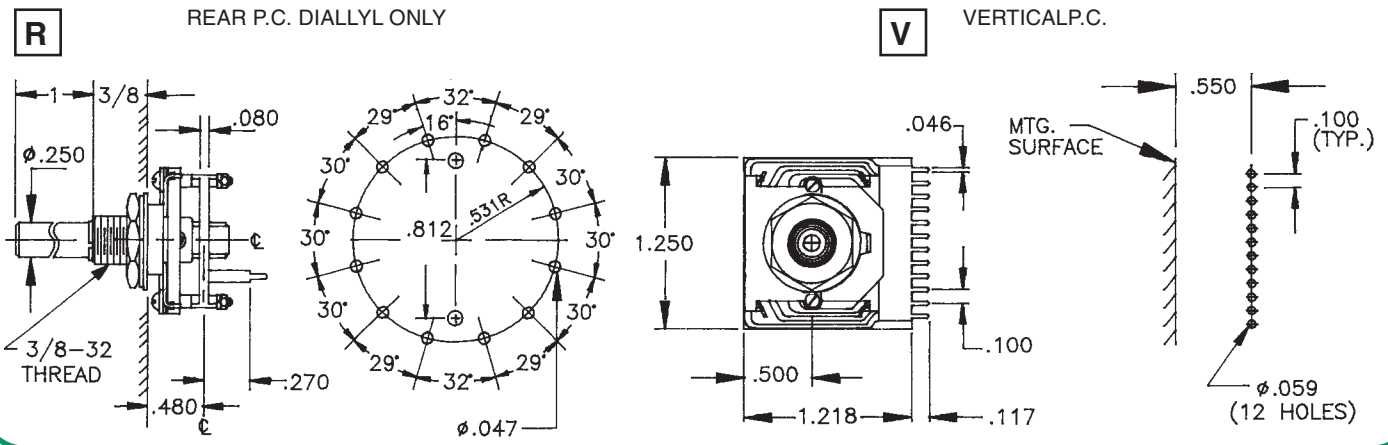
| P/N OPT. | SHAFT LGTH. "A" | BUSH. LGTH. "B" |
|----------|-----------------|-----------------|
| 01 | 3/8 | 1/4 |
| 02 | 3/8 | 3/8 |
| 03 | 1/2 | 1/4 |
| 04 | 1/2 | 3/8 |
| 05 | 9/16 | 1/4 |
| 06 | 9/16 | 3/8 |
| 07 | 5/8 | 1/4 |
| 08 | 5/8 | 3/8 |
| 09 | 3/4 | 1/4 |
| 10 | 3/4 | 3/8 |
| 11 | 7/8 | 1/4 |
| 12 | 7/8 | 3/8 |
| 13 | 1 | 1/4 |
| 14 | 1 | 3/8 |

| P/N OPT. | FLAT ANGLE |
|----------|------------|
| B | ROUND |
| U | 15° |
| W | 165° |
| Y | 195° |
| Z | 345° |

SHAFT AS VIEWED WITH NON-TURN LUG AT 3 O'CLOCK AND SHAFT IN EXTREME CCW POSITION AND STRUT BOLTS ORIENTED VERTICALLY.

D2C - STD.
D2D - STD.

PRINTED CIRCUIT BOARD TERMINAL OPTIONS



CUSTOM SWITCHES ARE AVAILABLE. CONTACT THE FACTORY WITH YOUR COMPLETE SPECIFICATIONS.

X-ON Electronics

Largest Supplier of Electrical and Electronic Components

Click to view similar products for [Rotary Switches](#) category:

Click to view products by [Electroswitch](#) manufacturer:

Other Similar products are found below :

[57HS22-02-2-06N](#) [57M22-02B16N](#) [57M22-09A16N](#) [M3786/4-0881](#) [M3786/4-3267](#) [M3786/4-5568](#) [M3786/4-6029](#) [71ESF30-05204N](#)
[MC06L1NCGF](#) [84986-26](#) [9003K2C003GA](#) [PLR3251](#) [PLR3262](#) [PS3](#) [A0142M2SP](#) [A029303](#) [R2AA4455NNNN](#) [R2BB4455NNNN](#) [DR75-](#)
[AMSF-10R-B](#) [1703.3201](#) [HW1MS-0202-101](#) [24002-03S](#) [A029101](#) [ACSNO-129-YB-C1014](#) [ACSNO-134-RR-YB-C1005](#) [ACSNO-353-SB-](#)
[C3016](#) [1825537-4](#) [T505](#) [T505E](#) [24005-03N](#) [H10207RR01Q](#) [M3786/39-4ZC](#) [M3786/4-0002](#) [M3786/4-0630](#) [M3786/4-1028L](#) [M3786/4-](#)
[1233L](#) [M3786/4-3044](#) [M3786/4-3129](#) [M3786/4-5008L](#) [M3786/4-5256](#) [MC6CX1A502X009](#) [42HS36-01-1-06N](#) [42P36-03B10S](#) [44MBS60-](#)
[04-2-03N](#) [44MG90-02-1-02N](#) [50KMT90-01-2-02N](#) [51A22-01-1-16S](#) [51CDP30-01PAJN](#) [51KSP30-01D04N](#) [51P30-01B12N](#)