

# D2 - SERIES

## SPECIFICATIONS AND ORDERING INFORMATION

1" DIAMETER 0.55 AMP @ 28 VDC

The D2 Series switch is used where space is at a premium. This dual-ball side thrust index offers exceptional torque control and is available in 30°, 36°, 45°, and 60° angles. Standard designs utilize diallyl phthalate or ceramic insulation, solder lug terminals, and 30° adjustable stop indexing.



### SPECIFICATIONS

#### ELECTRICAL

**Current and Voltage Rating:** Make and break resistive load  
0.55 amp @ 28 VDC; 0.25 amp @ 115 VAC.  
**Current Carrying Capacity:** 7 amps.  
**Dielectric Strength:** 750 VAC between current carrying parts and ground.  
**Contact Resistance:** Average initial 5 milliohms.  
**Insulation Resistance:** Diallyl in excess of 900,000 megohms.  
Glass in excess of 750,000 megohms.  
Ceramic in excess of 1,000,000 megohms.  
**Hardware:** Mounting nut and lockwasher are shipped assembled.

#### MECHANICAL

**Materials and Finishes:** All parts utilize non-corrosive materials as standard.  
**Clips and Rotors:** Brass with silver plate as standard.  
**Insulation:** Diallyl phthalate, glass, or ceramic.  
**Index:** Dual-ball, side thrust design.  
**Index Life:** 25,000 cycles minimum.  
**Index Torque:** Switches have lowest practical torque consistent with crisp detenting and smooth, reliable operation.  
**Index Angles:** Positive 30° standard, 36°, 45°, and 60° available.  
**Index Stops:** Adjustable standard, fixed or continuous.  
**Stop Strength:** 10 in. lbs. minimum.

### STANDARD PART NUMBER

#### DIALLYL PHTHALATE INSULATION - ADJUSTABLE STOPS

SWITCHES - SOLDER LUG TERMINALS - 30° INDEX - SET @ 2 POS.

| POLES | ACTIVE POSITIONS | POLES/SECTION | NO. OF SECTIONS | SHORTING | NON-SHORTING | FIG. * |
|-------|------------------|---------------|-----------------|----------|--------------|--------|
| 01    | 02-12            | 1             | 1               | D2D0112S | D2D0112N     | DE     |
| 02    | 02-06            | 2             | 1               | D2D0206S | D2D0206N     | DL     |
| 02    | 02-12            | 1             | 2               | D2D0212S | D2D0212N     | DE     |
| 03    | 02-05            | 3             | 1               | D2D0305S | D2D0305N     | DO     |
| 03    | 02-12            | 1             | 3               | D2D0312S | D2D0312N     | DE     |
| 04    | 02-06            | 2             | 2               | D2D0406S | D2D0406N     | DL     |
| 06    | 02-05            | 3             | 2               | D2D0605S | D2D0605N     | DO     |
| 06    | 02-06            | 2             | 3               | D2D0606S | D2D0606N     | DL     |

#### CERAMIC INSULATION - ADJUSTABLE STOPS

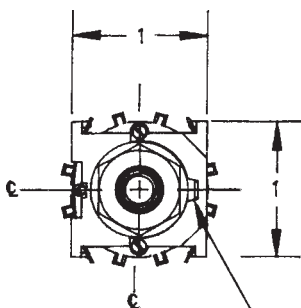
SWITCHES - SOLDER LUG TERMINALS - 30° INDEX - SET @ 2 POS. - 1/8 DIA. SHAFT

| POLES | ACTIVE POSITIONS | POLES/SECTION | NO. OF SECTIONS | SHORTING | NON-SHORTING | FIG. * |
|-------|------------------|---------------|-----------------|----------|--------------|--------|
| 01    | 02-11            | 1             | 1               | D2C0111S | D2C0111N     | DB     |
| 02    | 02-05            | 2             | 1               | D2C0205S | D2C0205N     | DG     |
| 02    | 02-11            | 1             | 2               | D2C0211S | D2C0211N     | DB     |
| 03    | 02-03            | 3             | 1               | D2C0303S | D2C0303N     | DN     |
| 03    | 02-11            | 1             | 3               | D2C0311S | D2C0311N     | DB     |
| 04    | 02-05            | 2             | 2               | D2C0405S | D2C0405N     | DG     |
| 06    | 02-05            | 2             | 3               | D2C0605S | D2C0605N     | DG     |
| 06    | 02-03            | 3             | 2               | D2C0603S | D2C0603N     | DN     |

\* FIGURES ARE SHOWN ON PAGES 55 AND 56.

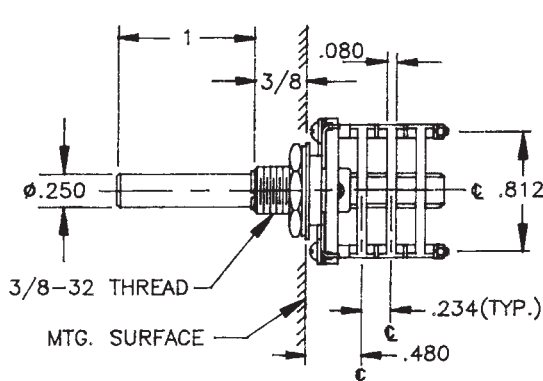
### DIMENSIONS

#### STANDARD CONSTRUCTION

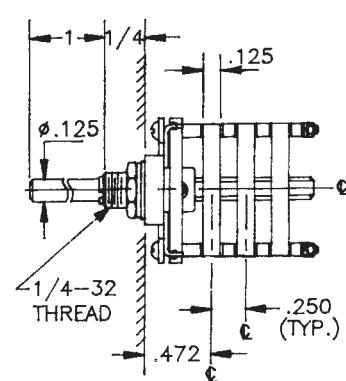


NON-TURN LUG  
.125W X .035 THK.  
.375 FROM  $\epsilon$   
.063 ENGAGEMENT

#### D2D DIALLYL PHTHALATE INSULATION



#### D2C CERAMIC INSULATION



## How to Order Additional Options:

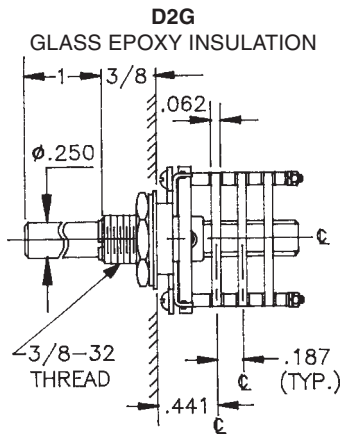
| 2 DIGIT SERIES | INSULATION TYPE   | TOTAL POLES | ACTIVE POSITIONS   | CONTACT TYPE                     | TERMINAL TYPE   | INDEX ANGLE              | STOP TYPE                          | SHAFT/ BUSHING | SHAFT FLAT    |
|----------------|---|-------------|--|----------------------------------|---|--------------------------|------------------------------------|----------------|---------------|
| D2             | D - DIALLYL<br>(30°, 45°, 60°)<br>G - GLASS<br>(30°, 36°, 45°, 60°) | 01 - MIN.   | 12 - MAX @ 30°<br>10 - MAX @ 36°<br>08 - MAX @ 45°<br>06 - MAX @ 60° | S - SHORTING<br>N - NON SHORTING | L - SOLDER LUG<br>V - VERT. P.C. 30°<br>R - (REAR P.C. NOT CERAMIC) | 30°<br>36°<br>45°<br>60° | A - ADJ.<br>F - FIXED<br>C - CONT. | SEE CHART "A"  | SEE CHART "B" |
| D2             | C - CERAMIC<br>(30°, 60°)<br>1/8 SHAFT                              | 01 - MIN.   | 11 - MAX @ 30°   | S - SHORTING<br>N - NON SHORTING | L - SOLDER LUG  | 30°<br>60°               | A - ADJ.<br>F - FIXED<br>C - CONT. | SEE CHART "A"  | SEE CHART "B" |

CUSTOMERS SPECIFIED ORDER NUMBER FOR STANDARD OPTIONS

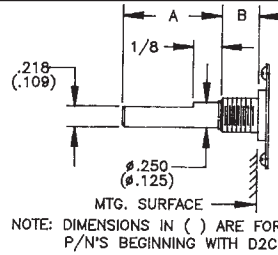


ADDITIONAL OPTIONS

### INSULATION OPTION



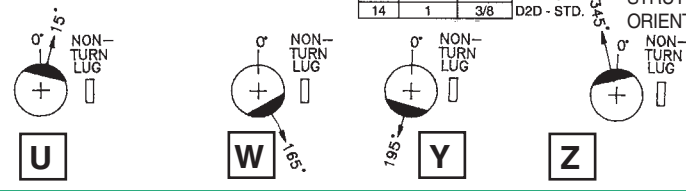
### SHAFT, BUSHING, AND FLAT OPTIONS



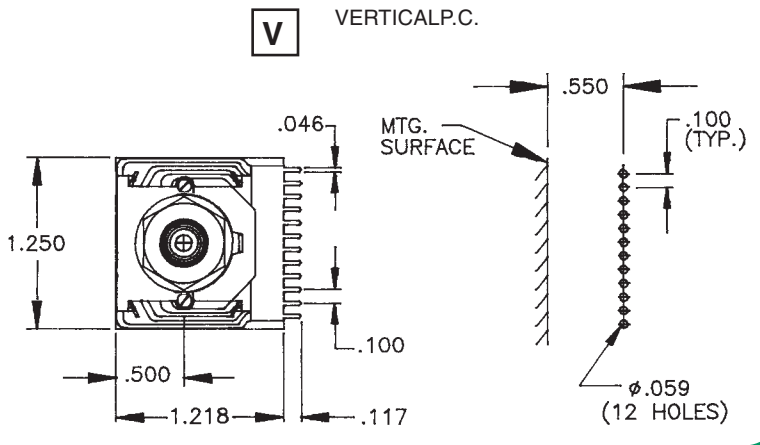
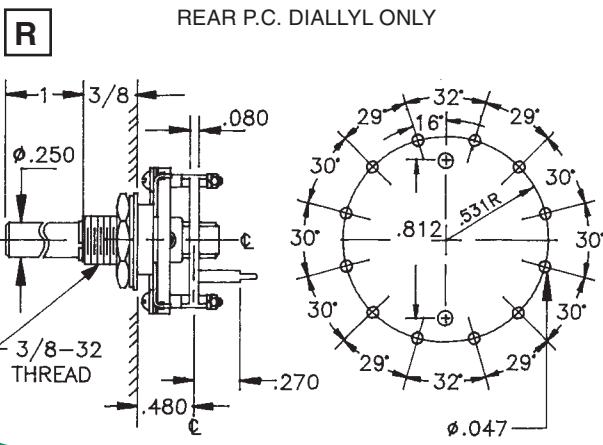
| P/N OPT. | SHAFT LGTH. "A" | BUSH. LGTH. "B" |
|----------|-----------------|-----------------|
| 01       | 3/8             | 1/4             |
| 02       | 3/8             | 3/8             |
| 03       | 1/2             | 1/4             |
| 04       | 1/2             | 3/8             |
| 05       | 9/16            | 1/4             |
| 06       | 9/16            | 3/8             |
| 07       | 5/8             | 1/4             |
| 08       | 5/8             | 3/8             |
| 09       | 3/4             | 1/4             |
| 10       | 3/4             | 3/8             |
| 11       | 7/8             | 1/4             |
| 12       | 7/8             | 3/8             |
| 13       | 1               | 1/4             |
| 14       | 1               | 3/8             |

| P/N OPT. | FLAT ANGLE |
|----------|------------|
| B        | ROUND      |
| U        | 15°        |
| W        | 165°       |
| Y        | 195°       |
| Z        | 345°       |

SHAFT AS VIEWED WITH NON-TURN LUG AT 3 O'CLOCK AND SHAFT IN EXTREME CCW POSITION AND STRUT BOLTS ORIENTED VERTICALLY.



### PRINTED CIRCUIT BOARD TERMINAL OPTIONS



CUSTOM SWITCHES ARE AVAILABLE. CONTACT THE FACTORY WITH YOUR COMPLETE SPECIFICATIONS.

## **X-ON Electronics**

Largest Supplier of Electrical and Electronic Components

*Click to view similar products for [Switch Fixings](#) category:*

*Click to view products by [Electroswitch](#) manufacturer:*

Other Similar products are found below :

[893102000](#) [00-5150](#) [LZZ1A](#) [0098.9234](#) [61-9451.0](#) [M2PA-5011](#) [630155](#) [635401](#) [6PA113](#) [6PA147-E6](#) [6PA148-E6](#) [6PA32](#) [6PA9](#) [700106](#)  
[700109](#) [700303A56](#) [700C1GRY](#) [700C2GRN](#) [70.362.4828.0](#) [704-6001](#) [704.960.9](#) [704.965.2](#) [704.965.6](#) [704.966.0](#) [7089-3](#) [710082-B11](#)  
[71M1048](#) [757200264](#) [764300000](#) [MHU35](#) [MHU37](#) [807039-1](#) [825.003.011](#) [825.005.011](#) [825.053.011](#) [825.055.011](#) [826.000.071](#)  
[827.020.011](#) [827.400.021](#) [835.900.023](#) [MML52C10C](#) [MML52E10C](#) [MML92HGH](#) [MML93K](#) [84211M02CNNS](#) [84212M02CNNS](#)  
[84217A8.0LNOS](#) [842.500.011](#) [843.000.011](#) [843187-000](#)