

# D7 - SERIES

## SPECIFICATIONS AND ORDERING INFORMATION

1 7/8" DIAMETER 2.25 AMPS @ 28 VDC

The D7 Series, constructed with a dual-ball, hill and valley index, has increased the physical size of the switch conductors allowing for additional current carrying capabilities. Standard designs utilize glass epoxy or ceramic insulations, solder lug terminals, and 30° adjustable stop indexing.



### SPECIFICATIONS

#### ELECTRICAL

**Current and Voltage Rating:** Make and break resistive load 2.25 amps @ 28 VDC; 1.0 amp @ 115 VAC.

**Current Carrying Capacity:** 9 amps.

**Dielectric Strength:** 1,500 VAC between current carrying parts and ground.

**Contact Resistance:** Average initial 3 milliohms.

**Insulation Resistance:** Glass in excess of 750,000 megohms.  
Ceramic in excess of 1,000,000 megohms.

**Hardware:** Mounting nut and lockwasher are shipped assembled.

#### MECHANICAL

**Materials and Finishes:** All parts utilize non-corrosive materials as standard.

**Clips and Rotors:** Brass with silver plate as standard.

**Insulation:** Glass epoxy, or ceramic.

**Index:** Dual-ball, hill and valley design.

**Index Life:** 25,000 cycles minimum.

**Index Torque:** Switches have lowest practical torque consistent with crisp detenting and smooth, reliable operation.

**Index Angles:** Positive 30° standard, 60° available.

**Index Stops:** Adjustable standard, fixed or continuous.

**Stop Strength:** 25 in. lbs. minimum.

### STANDARD PART NUMBER

#### GLASS EPOXY INSULATION

#### SWITCHES - 30° INDEXING

ADJUSTABLE STOPS - SOLDER LUG TERMINALS - STOPS SET @ 2 POS.

#### CERAMIC INSULATION

#### SWITCHES - 30° INDEXING

ADJUSTABLE STOPS - SOLDER LUG TERMINALS - STOPS SET @ 2 POS.

POLES	ACTIVE POSITIONS	POLES/ SECTION	NO. OF SECTIONS	SHORTING	NON-SHORTING	FIG. ★	POLES	ACTIVE POSITIONS	POLES/ SECTION	NO. OF SECTIONS	SHORTING	NON-SHORTING	FIG. ★
01	02-11	1	1	D7G0111S	D7G0111N	DA	01	02-11	1	1	D7C0111S	D7C0111N	DA
02	02-11	1	2	D7G0211S	D7G0211N	DA	02	02-11	1	2	D7C0211S	D7C0211N	DA
02	02-05	2	1	D7G0205S	D7G0205N	DH	02	02-05	2	1	D7C0205S	D7C0205N	DH
03	02-11	1	3	D7G0311S	D7G0311N	DA	03	02-11	1	3	D7C0311S	D7C0311N	DA
03	02-03	3	1	D7G0303S	D7G0303N	DM	03	02-03	3	1	D7C0303S	D7C0303N	DM
04	02-11	1	4	D7G0411S	D7G0411N	DA	04	02-05	2	2	D7C0405S	D7C0405N	DH
04	02-05	2	2	D7G0405S	D7G0405N	DH	06	02-05	2	3	D7C0605S	D7C0605N	DH
05	02-11	1	5	D7G0511S	D7G0511N	DA	06	02-03	3	2	D7C0603S	D7C0603N	DM
06	02-05	2	3	D7G0605S	D7G0605N	DH	<b>60° INDEXING</b>						
06	02-03	3	2	D7G0603S	D7G0603N	DM	01	02-06	1	1	_____	D7C0106N-60	DK
06	02-11	1	6	D7G0611S	D7G0611N	DA	02	02-06	1	2	_____	D7C0206N-60	DK
08	02-05	2	4	D7G0805S	D7G0805N	DH	03	02-06	1	3	_____	D7C0306N-60	DK
09	02-03	3	3	D7G0903S	D7G0903N	DM	04	02-06	1	4	_____	D7C0406N-60	DK
10	02-05	2	5	D7G1005S	D7G1005N	DH	05	02-06	1	5	_____	D7C0506N-60	DK

\* FIGURES ARE SHOWN ON PAGES 55 AND 56.

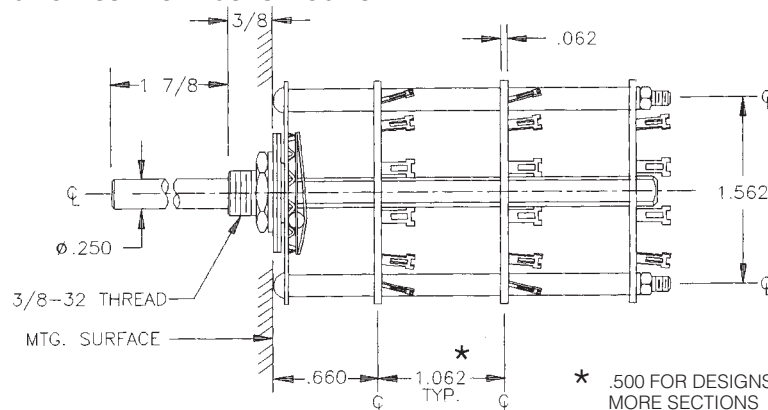
### DIMENSIONS

#### STANDARD CONSTRUCTION



NON-TURN LUG  
.125W X .035 THK.  
.531 FROM C-LINE  
.125 ENGAGEMENT

#### D7G - GLASS EPOXY CONSTRUCTION



\* .500 FOR DESIGNS OF FIVE OR MORE SECTIONS

## How to Order Additional Options:

2 DIGIT SERIES	INSULATION TYPE	TOTAL POLES	ACTIVE POSITIONS	CONTACT TYPE	INDEX ANGLE	STOP TYPE	SHAFT/ BUSHING	SHAFT FLAT
D7	G - GLASS C - CERAMIC	01 - MIN.	12 - MAX @ 30° 06 - MAX @ 60°	S - SHORTING N - NON-SHORTING	30° 60°	A - ADJ. F - FIXED C - CONT.	SEE CHART "A"	SEE CHART "B"

CUSTOMERS SPECIFIED ORDER NUMBER FOR STANDARD OPTIONS

<b>D</b>	<b>7</b>	<input type="text"/>	<input type="text"/>	<input type="text"/>	<input type="text"/>	<input type="text"/>	<input type="text"/>	<input type="text"/>	<input type="text"/>
(SPECIFY)	(SPECIFY)	(SPECIFY)	(SPECIFY)	(SPECIFY)	(SPECIFY)	(SPECIFY)	(SPECIFY)	(SPECIFY)	(SPECIFY)

ADDITIONAL OPTIONS

## SHAFT, BUSHING, AND FLAT OPTIONS

P/N OPT.	SHAFT LGTH. "A"	BUSH. LGTH. "B"
01	3/8	1/4
02	3/8	3/8
03	1/2	1/4
04	1/2	3/8
05	9/16	1/4
06	9/16	3/8
07	3/4	1/4
08	3/4	3/8
09	1	1/4
10	1	3/8
11	1 1/2	1/4
12	1 1/2	3/8
13	1 7/8	1/4
14	1 7/8	3/8

P/N OPT.	FLAT ANGLE
B	ROUND - STD
U	15°
W	165°
Y	195°
Z	345°

SHAFT AS VIEWED WITH NON-TURN LUG AT 9 O'CLOCK AND SHAFT IN EXTREME CCW POSITION AND STRUT BOLTS ORIENTED VERTICALLY.

## INSULATION AND INDEX OPTIONS

**D7C - CERAMIC CONSTRUCTION**  
30° INDEX

**D7C - CERAMIC INSULATION**  
60° INDEX

CUSTOM SWITCHES ARE AVAILABLE. CONTACT THE FACTORY WITH YOUR COMPLETE SPECIFICATIONS.

## X-ON Electronics

Largest Supplier of Electrical and Electronic Components

*Click to view similar products for [Rotary Switches](#) category:*

*Click to view products by [Electroswitch](#) manufacturer:*

Other Similar products are found below :

[57HS22-02-2-06N](#) [57M22-02B16N](#) [57M22-09A16N](#) [M3786/4-0881](#) [M3786/4-3267](#) [M3786/4-5568](#) [M3786/4-6029](#) [71ESF30-05204N](#)  
[MC06L1NCGF](#) [84986-26](#) [9003K2C003GA](#) [PLR3251](#) [PLR3262](#) [PS3](#) [A0142M2SP](#) [A029303](#) [R2AA4455NNNN](#) [R2BB4455NNNN](#) [DR75-](#)  
[AMSF-10R-B](#) [1703.3201](#) [HW1MS-0202-101](#) [24002-03S](#) [A029101](#) [ACSNO-129-YB-C1014](#) [ACSNO-134-RR-YB-C1005](#) [ACSNO-353-SB-](#)  
[C3016](#) [1825537-4](#) [T505](#) [T505E](#) [24005-03N](#) [H10207RR01Q](#) [M3786/39-4ZC](#) [M3786/4-0002](#) [M3786/4-0630](#) [M3786/4-1028L](#) [M3786/4-](#)  
[1233L](#) [M3786/4-3044](#) [M3786/4-3129](#) [M3786/4-5008L](#) [M3786/4-5256](#) [MC6CX1A502X009](#) [42HS36-01-1-06N](#) [42P36-03B10S](#) [44MBS60-](#)  
[04-2-03N](#) [44MG90-02-1-02N](#) [50KMT90-01-2-02N](#) [51A22-01-1-16S](#) [51CDP30-01PAJN](#) [51KSP30-01D04N](#) [51P30-01B12N](#)