

# D9 - SERIES

## SPECIFICATIONS AND ORDERING INFORMATION

2 5/16" DIAMETER 1.5 AMPS @ 28 VDC

The D9 Series has a 15° index with a maximum of 24 positions. Indexing is provided by a dual-ball hill and valley design. Standard features include solder lug terminals, adjustable stops and glass epoxy insulation.



### SPECIFICATIONS

#### ELECTRICAL

**Current and Voltage Rating:** Make and break resistive load 1.5 amps @ 28 VDC; 0.25 amp @ 115 VAC.  
**Current Carrying Capacity:** 9 amps.  
**Dielectric Strength:** 1,000 VAC between current carrying parts and ground.  
**Contact Resistance:** Average initial 5 milliohms.  
**Insulation Resistance:** In excess of 750,000 megohms.

**Hardware:** Mounting nut and lockwasher are shipped assembled.

#### MECHANICAL

**Materials and Finishes:** All parts utilize non-corrosive materials as standard.  
**Clips and Rotors:** Brass with silver plate as standard.  
**Insulation:** Glass epoxy.  
**Index:** Dual-ball, hill and valley design.  
**Index Life:** 25,000 cycles minimum.  
**Index Torque:** Switches have lowest practical torque consistent with crisp detenting and smooth, reliable operation.  
**Index Angles:** Positive 15° standard.  
**Index Stops:** Adjustable standard, fixed or continuous.  
**Stop Strength:** 25 in. lbs. minimum.

### STANDARD PART NUMBER

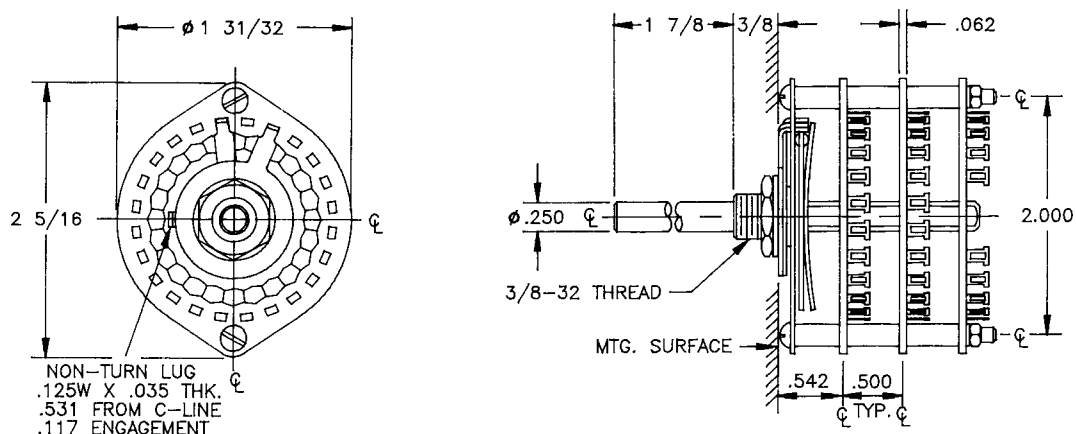
GLASS EPOXY INSULATION SWITCHES - 15° INDEXING  
 ADJUSTABLE STOPS - SOLDER LUG TERMINALS - STOPS SET @ 2 POS.

| POLES | ACTIVE POSITIONS | POLES/ SECTION | NO. OF SECTIONS | SHORTING | NON-SHORTING | FIG. * |
|-------|------------------|----------------|-----------------|----------|--------------|--------|
| 01    | 02-23            | 1              | 1               | D9G0123S | D9G0123N     | DU     |
| 02    | 02-23            | 1              | 2               | D9G0223S | D9G0223N     | DU     |
| 03    | 02-23            | 1              | 3               | D9G0323S | D9G0323N     | DU     |
| 04    | 02-23            | 1              | 4               | D9G0423S | D9G0423N     | DU     |
| 05    | 02-23            | 1              | 5               | D9G0523S | D9G0523N     | DU     |
| 06    | 02-23            | 1              | 6               | D9G0623S | D9G0623N     | DU     |
| 07    | 02-23            | 1              | 7               | D9G0723S | D9G0723N     | DU     |
| 08    | 02-23            | 1              | 8               | D9G0823S | D9G0823N     | DU     |

\* FIGURES ARE SHOWN ON PAGE 57.

### DIMENSIONS

STANDARD CONSTRUCTION  
 D9G - GLASS EPOXY  
 CONSTRUCTION



## How to Order Additional Options:

| 2 DIGIT SERIES | INSULATION TYPE | TOTAL POLES | ACTIVE POSITIONS | CONTACT TYPE                     | TERMINAL TYPE                   | INDEX ANGLE | STOP TYPE                          | SHAFT/ BUSHING | SHAFT FLAT    |
|----------------|-----------------|-------------|------------------|----------------------------------|---------------------------------|-------------|------------------------------------|----------------|---------------|
| D9             | G - GLASS       | 01 - MIN.   | 24 - MAX @ 15°   | S - SHORTING<br>N - NON SHORTING | L - SOLDER LUG<br>R - REAR P.C. |             | A - ADJ.<br>F - FIXED<br>C - CONT. | SEE CHART "A"  | SEE CHART "B" |

CUSTOMERS SPECIFIED ORDER NUMBER FOR STANDARD OPTIONS

|          |          |          |                      |                      |                      |                          |                          |                          |                          |                          |
|----------|----------|----------|----------------------|----------------------|----------------------|--------------------------|--------------------------|--------------------------|--------------------------|--------------------------|
| <b>D</b> | <b>9</b> | <b>G</b> | <input type="text"/> | <input type="text"/> | <input type="text"/> | <input type="checkbox"/> | <input type="checkbox"/> | <input type="checkbox"/> | <input type="checkbox"/> | <input type="checkbox"/> |
|          |          |          | (SPECIFY)            | (SPECIFY)            | (SPECIFY)            | (SPECIFY)                | (SPECIFY)                | (SPECIFY)                | (SPECIFY)                | (SPECIFY)                |

ADDITIONAL OPTIONS

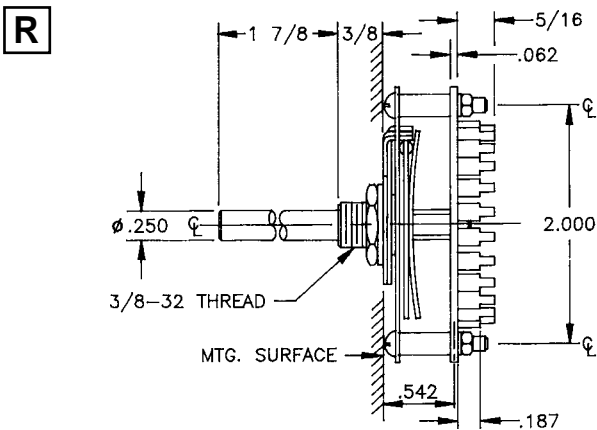
### SHAFT, BUSHING, AND FLAT OPTIONS

| P/N OPT. | SHAFT LGTH. "A" | BUSH. LGTH. "B" |
|----------|-----------------|-----------------|
| 01       | 3/8             | 1/4             |
| 02       | 3/8             | 3/8             |
| 03       | 1/2             | 1/4             |
| 04       | 1/2             | 3/8             |
| 05       | 9/16            | 1/4             |
| 06       | 9/16            | 3/8             |
| 07       | 3/4             | 1/4             |
| 08       | 3/4             | 3/8             |
| 09       | 1               | 1/4             |
| 10       | 1               | 3/8             |
| 11       | 1 1/2           | 1/4             |
| 12       | 1 1/2           | 3/8             |
| 13       | 1 7/8           | 1/4             |
| 14       | 1 7/8           | 3/8             |

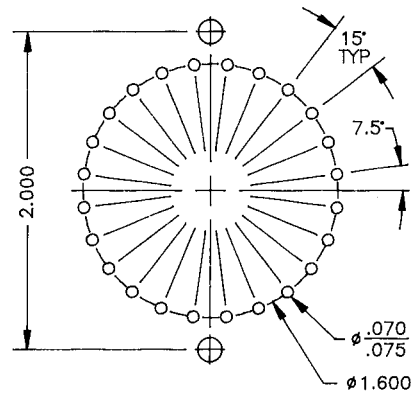
| P/N OPT. | FLAT ANGLE | - STD |
|----------|------------|-------|
| B        | ROUND      |       |
| U        | 7.5°       |       |
| W        | 172.5°     |       |
| Y        | 187.5°     |       |
| Z        | 352.5°     |       |

SHAFT AS VIEWED WITH NON-TURN LUG AT 9 O'CLOCK AND SHAFT IN EXTREME CCW POSITION AND STRUT BOLTS ORIENTED VERTICALLY.

### PRINTED CIRCUIT BOARD OPTIONS



P.C. BOARD MOUNTING PATTERN



CUSTOM SWITCHES ARE AVAILABLE. CONTACT THE FACTORY WITH YOUR COMPLETE SPECIFICATIONS.

## X-ON Electronics

Largest Supplier of Electrical and Electronic Components

*Click to view similar products for [Rotary Switches](#) category:*

*Click to view products by [Electroswitch](#) manufacturer:*

Other Similar products are found below :

[57HS22-02-2-06N](#) [57M22-02B16N](#) [57M22-09A16N](#) [M3786/4-0881](#) [M3786/4-3267](#) [M3786/4-5568](#) [M3786/4-6029](#) [71ESF30-05204N](#)  
[MC06L1NCGF](#) [84986-26](#) [9003K2C003GA](#) [PLR3251](#) [PLR3262](#) [PS3](#) [A0142M2SP](#) [A029303](#) [R2AA4455NNNN](#) [R2BB4455NNNN](#) [DR75-](#)  
[AMSF-10R-B](#) [1703.3201](#) [HW1MS-0202-101](#) [24002-03S](#) [A029101](#) [ACSNO-129-YB-C1014](#) [ACSNO-134-RR-YB-C1005](#) [ACSNO-353-SB-](#)  
[C3016](#) [1825537-4](#) [T505](#) [T505E](#) [24005-03N](#) [H10207RR01Q](#) [M3786/39-4ZC](#) [M3786/4-0002](#) [M3786/4-0630](#) [M3786/4-1028L](#) [M3786/4-](#)  
[1233L](#) [M3786/4-3044](#) [M3786/4-3129](#) [M3786/4-5008L](#) [M3786/4-5256](#) [MC6CX1A502X009](#) [42HS36-01-1-06N](#) [42P36-03B10S](#) [44MBS60-](#)  
[04-2-03N](#) [44MG90-02-1-02N](#) [50KMT90-01-2-02N](#) [51A22-01-1-16S](#) [51CDP30-01PAJN](#) [51KSP30-01D04N](#) [51P30-01B12N](#)