

E4 - SERIES

SPECIFICATIONS AND ORDERING INFORMATION

2 13/16" DIAMETER 11.0 AMPS @ 28 VDC

The E4 Series was designed to offer maximum power ratings in an electronic open frame switch. Standard construction consists of a 20° index, 2-17 positions, and solder lug terminals.



SPECIFICATIONS

ELECTRICAL

Current and Voltage Rating: Make and break resistive load 11.0 amps @ 28 VDC; 9.0 amps @ 115 VAC.
Current Carrying Capacity: 17 amps.
Dielectric Strength: 3000 VAC between current carrying parts and ground.
Contact Resistance: Average initial 7.0 milliohms.
Insulation Resistance: In excess of 1,000,000 megohms.

Hardware: Mounting nut and lockwasher are shipped assembled.

MECHANICAL

Materials and Finishes: All parts utilize non-corrosive materials as standard.
Contacts and Collector Rings: Coin silver as standard.
Insulation: Ceramic.
Index: Dual-ball, hill and valley design.
Index Life: 25,000 cycles minimum.
Index Torque: Switches have lowest practical torque consistent with crisp detenting and smooth, reliable operation.
Index Angles: Positive 20° standard.
Index Stops: Adjustable stops standard, fixed or continuous.
Stop Strength: 25 in. lbs. minimum.

STANDARD PART NUMBER

20° INDEXING

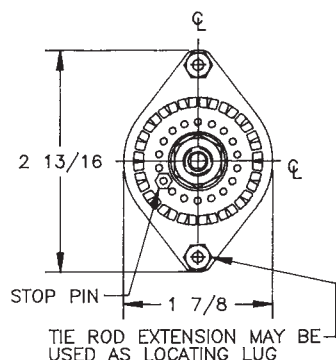
SWITCHES ADJUSTABLE STOPS - SOLDER LUG TERMINALS - STOPS SET @ 2 POS.

POLES	ACTIVE POSITIONS	POLES/ SECTION	NO. OF SECTIONS	SHORTING	NON-SHORTING	FIG. *	POLES	ACTIVE POSITIONS	POLES/ SECTION	NO. OF SECTIONS	SHORTING	NON-SHORTING	FIG. *
01	02-17	1	1	E4C0117S	E4C0117N	EA	06	02-17	1	6	E4C0617S	E4C0617N	EA
02	02-17	1	2	E4C0217S	E4C0217N	EA	06	02-08	2	3	E4C0608S	E4C0608N	EB
02	02-08	2	1	E4C0208S	E4C0208N	EB	06	02-05	3	2	E4C0605S	E4C0605N	EC
03	02-17	1	3	E4C0317S	E4C0317N	EA	08	02-08	2	4	E4C0808S	E4C0808N	EB
03	02-05	3	1	E4C0305S	E4C0305N	EC	09	02-05	3	3	E4C0905S	E4C0905N	EC
04	02-17	1	4	E4C0417S	E4C0417N	EA	10	02-08	2	5	E4C1008S	E4C1008N	EB
04	02-08	2	2	E4C0408S	E4C0408N	EB	12	02-05	3	4	E4C1205S	E4C1205N	EC
05	02-17	1	5	E4C0517S	E4C0517N	EA	15	02-05	3	5	E4C1505S	E4C1505N	EC

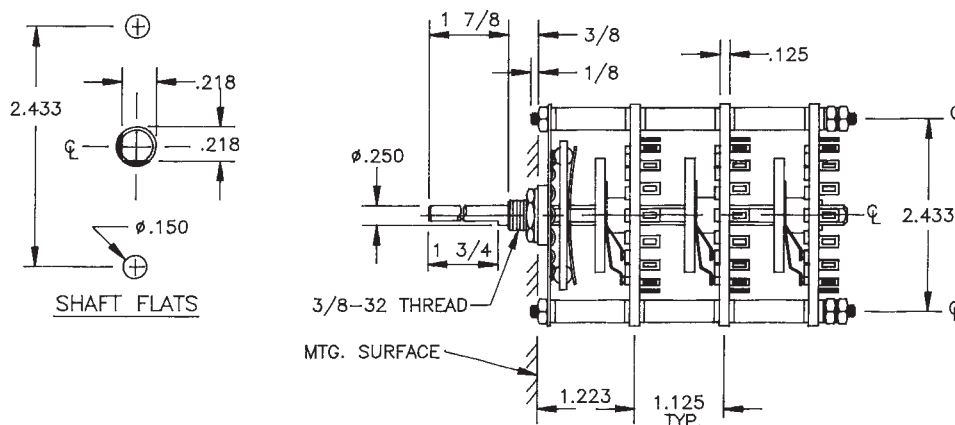
* FIGURES ARE SHOWN ON PAGE 57.

DIMENSIONS

STANDARD CONSTRUCTION



E4C - CERAMIC CONSTRUCTION



2010 Yonkers Road
Raleigh, NC 27604

How to Order Additional Options:

2 DIGIT SERIES	INSULATION TYPE	TOTAL POLES	ACTIVE POSITIONS	CONTACT TYPE	STOP TYPE		
E4	C - CERAMIC	01 - MIN.	17 - MAX @ 20°	S - SHORTING N - NON SHORTING	A - ADJ. F - FIXED C - CONT.	SEE CHART "A"	SEE CHART "B"

CUSTOMERS SPECIFIED	ORDER NUMBER FOR STANDARD OPTIONS	ADDITIONAL OPTIONS
E 4	C <input type="text"/> <input type="text"/> <input type="text"/> <input type="text"/>	<input type="text"/> <input type="text"/> <input type="text"/> <input type="text"/>
	(SPECIFY) (SPECIFY) (SPECIFY)	(SPECIFY) (SPECIFY) (SPECIFY)

SHAFT, BUSHING, AND FLAT OPTIONS

P/N OPT.	SHAFT LGTH. "A"	FLAT LGTH. "B"	BUSH. LGTH. "C"
01	3/8	1/4	1/4
02	3/8	1/4	3/8
03	1/2	11/32	1/4
04	1/2	11/32	3/8
05	3/4	15/32	1/4
06	3/4	15/32	3/8
07	1	19/32	1/4
08	1	19/32	3/8
09	1 1/2	5/8	1/4
10	1 1/2	5/8	3/8
11	1 7/8	5/8	1/4
12	1 7/8	5/8	3/8

P/N OPT.	FLAT ANGLE
B	ROUND
U	10°
W	170°
T	180°
Y	190°
Z	350°

- STD.

SHAFT AS VIEWED IN EXTREME CCW POSITION AND STRUT BOLTS ORIENTED VERTICALLY.

E

CUSTOM SWITCHES ARE AVAILABLE. CONTACT THE FACTORY WITH YOUR COMPLETE SPECIFICATIONS.

X-ON Electronics

Largest Supplier of Electrical and Electronic Components

Click to view similar products for [Rotary Switches](#) category:

Click to view products by [Electroswitch](#) manufacturer:

Other Similar products are found below :

[57HS22-02-2-06N](#) [57M22-02B16N](#) [57M22-09A16N](#) [M3786/4-0881](#) [M3786/4-3267](#) [M3786/4-5568](#) [M3786/4-6029](#) [71ESF30-05204N](#)
[MC06L1NCGF](#) [84986-26](#) [9003K2C003GA](#) [PLR3251](#) [PLR3262](#) [PS3](#) [A0142M2SP](#) [A029303](#) [R2AA4455NNNN](#) [R2BB4455NNNN](#) [DR75-](#)
[AMSF-10R-B](#) [1703.3201](#) [HW1MS-0202-101](#) [24002-03S](#) [A029101](#) [ACSNO-129-YB-C1014](#) [ACSNO-134-RR-YB-C1005](#) [ACSNO-353-SB-](#)
[C3016](#) [1825537-4](#) [T505](#) [T505E](#) [24005-03N](#) [H10207RR01Q](#) [M3786/39-4ZC](#) [M3786/4-0002](#) [M3786/4-0630](#) [M3786/4-1028L](#) [M3786/4-](#)
[1233L](#) [M3786/4-3044](#) [M3786/4-3129](#) [M3786/4-5008L](#) [M3786/4-5256](#) [MC6CX1A502X009](#) [42HS36-01-1-06N](#) [42P36-03B10S](#) [44MBS60-](#)
[04-2-03N](#) [44MG90-02-1-02N](#) [50KMT90-01-2-02N](#) [51A22-01-1-16S](#) [51CDP30-01PAJN](#) [51KSP30-01D04N](#) [51P30-01B12N](#)