

M6 - SERIES

SPECIFICATIONS AND ORDERING INFORMATION

1 3/4" SQUARE 0.5 AMP @ 28 VDC

The M6 Series was originally designed to meet the requirements of MIL-S-3786/40. Standard construction includes 30° indexing up to 12 positions, solder lug terminals, and adjustable stops. Switching is available up to 32 positions.



SPECIFICATIONS

ELECTRICAL

Current and Voltage Rating: Make and break resistive load
0.5 amp @ 28 VDC; 0.125 amp @ 115 VAC.
Current Carrying Capacity: 10 amps.
Dielectric Strength: 1,500 VAC between current carrying parts and ground.
Contact Resistance: Average initial 10 milliohms.
Insulation Resistance: In excess of 1,000,000 megohms

Hardware: Mounting nut and lockwasher are shipped assembled.

MECHANICAL

Materials and Finishes: All parts utilize non-corrosive materials as standard.
Clips and Rotors: Silver alloy composite as standard.
Insulation: Glass epoxy.
Index: Dual-ball, hill and valley design.
Index Life: 25,000 cycles minimum.
Index Torque: Switches have lowest practical torque consistent with crisp detenting and smooth, reliable operation.
Index Angles: Positive 30° standard, 11.25°, 15°, and 22.5° available.
Index Stops: Adjustable standard, or continuous.
Stop Strength: 50 in. lbs. minimum.

STANDARD PART NUMBER

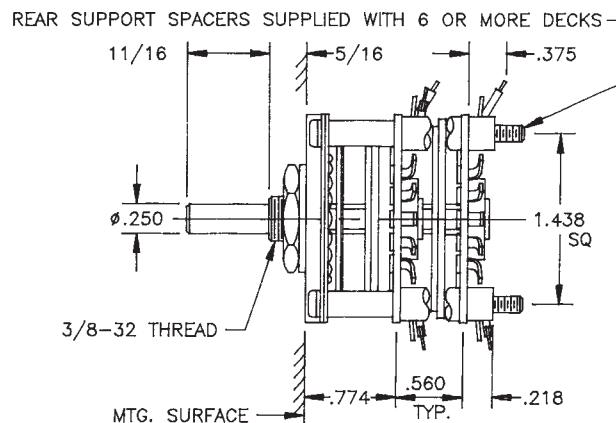
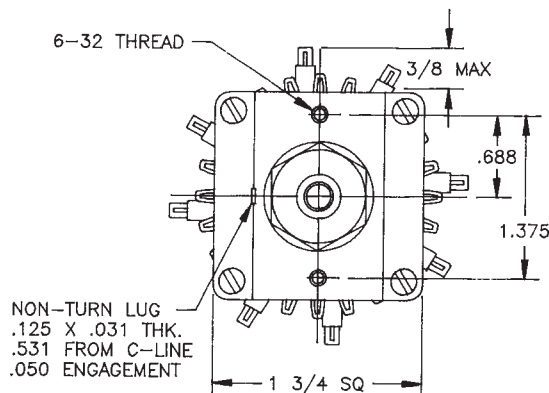
EPOXY GLASS INSULATION SWITCHES - 30° INDEXING
ADJUSTABLE STOPS SET @ 2 POS. - SOLDER LUG TERMINALS

POLES	ACTIVE POSITIONS	POLES/ SECTION	NO. OF SECTIONS	SHORTING	NON-SHORTING	FIG. ★
01	02-12	1	1	M6G0112S	M6G0112N	MC
02	02-12	1	2	M6G0212S	M6G0212N	MC
02	02-06	2	1	M6G0206S	M6G0206N	MD
03	02-12	1	3	M6G0312S	M6G0312N	MC
04	02-12	1	4	M6G0412S	M6G0412N	MC
04	02-06	2	2	M6G0406S	M6G0406N	MD
06	02-06	2	3	M6G0606S	M6G0606N	MD
08	02-06	2	4	M6G0806S	M6G0806N	MD

* FIGURES ARE SHOWN ON PAGE 57.

DIMENSIONS

STANDARD CONSTRUCTION
M6G - GLASS EPOXY CONSTRUCTION



M

How to Order Additional Options:

2 DIGIT SERIES	INSULATION TYPE	TOTAL POLES	ACTIVE POSITIONS	CONTACT TYPE
M6	G - GLASS	01 - MIN.	12 - MAX @ 30° 16 - MAX @ 22.5°	N - NON-SHORTING S - SHORTING

M6	G - GLASS	01 - MIN.	32 - MAX @ 11.5° 24 - MAX @ 15°	S - SHORTING
----	-----------	-----------	------------------------------------	--------------

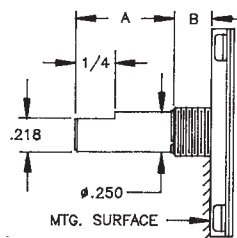
TERMINAL TYPE	INDEX ANGLE	STOP TYPE	SHAFT/BUSHING	SHAFT FLAT
L - SOLDER LUG R - REAR P.C.	11.5° 15° 22.5° 30°	A - ADJ. C - CONT.	SEE CHART "A"	SEE CHART "B"

CUSTOMERS SPECIFIED ORDER NUMBER FOR STANDARD OPTIONS

M	6	G	<input type="text"/>	<input type="text"/>	<input type="checkbox"/>	<input type="checkbox"/>	<input type="checkbox"/>	<input type="checkbox"/>	<input type="checkbox"/>	<input type="checkbox"/>	<input type="checkbox"/>
			(SPECIFY)	(SPECIFY)	(SPECIFY)	(SPECIFY)	(SPECIFY)	(SPECIFY)	(SPECIFY)	(SPECIFY)	(SPECIFY)

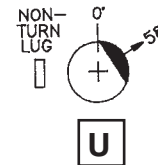
ADDITIONAL OPTIONS

SHAFT, BUSHING, AND FLAT OPTIONS



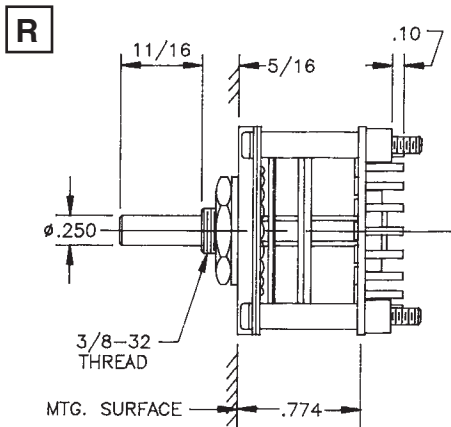
P/N OPT.	SHAFT LGTH. "A"	BUSH. LGTH. "B"
01	11/16	5/16
02	5/8	3/8

P/N OPT.	FLAT ANGLE
B	ROUND
U	58°

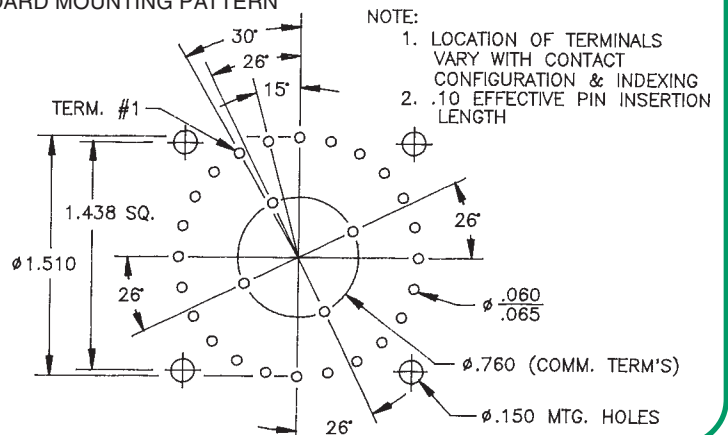


SHAFT AS VIEWED WITH NON-TURN LUG AT 9 O'CLOCK AND SHAFT IN EXTREME CCW POSITION AND STRUT BOLTS ORIENTED VERTICALLY.

PRINTED CIRCUIT BOARD OPTIONS



P.C. BOARD MOUNTING PATTERN



CUSTOM SWITCHES ARE AVAILABLE. CONTACT THE FACTORY WITH YOUR COMPLETE SPECIFICATIONS.

X-ON Electronics

Largest Supplier of Electrical and Electronic Components

Click to view similar products for [Rotary Switches](#) category:

Click to view products by [Electroswitch](#) manufacturer:

Other Similar products are found below :

[57HS22-02-2-06N](#) [57M22-02B16N](#) [57M22-09A16N](#) [M3786/4-0881](#) [M3786/4-3267](#) [M3786/4-5568](#) [M3786/4-6029](#) [71ESF30-05204N](#)
[MC06L1NCGF](#) [84986-26](#) [9003K2C003GA](#) [PLR3251](#) [PLR3262](#) [PS3](#) [A0142M2SP](#) [A029303](#) [R2AA4455NNNN](#) [R2BB4455NNNN](#) [DR75-](#)
[AMSF-10R-B](#) [1703.3201](#) [HW1MS-0202-101](#) [24002-03S](#) [A029101](#) [ACSNO-129-YB-C1014](#) [ACSNO-134-RR-YB-C1005](#) [ACSNO-353-SB-](#)
[C3016](#) [1825537-4](#) [T505](#) [T505E](#) [24005-03N](#) [H10207RR01Q](#) [M3786/39-4ZC](#) [M3786/4-0002](#) [M3786/4-0630](#) [M3786/4-1028L](#) [M3786/4-](#)
[1233L](#) [M3786/4-3044](#) [M3786/4-3129](#) [M3786/4-5008L](#) [M3786/4-5256](#) [MC6CX1A502X009](#) [42HS36-01-1-06N](#) [42P36-03B10S](#) [44MBS60-](#)
[04-2-03N](#) [44MG90-02-1-02N](#) [50KMT90-01-2-02N](#) [51A22-01-1-16S](#) [51CDP30-01PAJN](#) [51KSP30-01D04N](#) [51P30-01B12N](#)