

M6 - SERIES

SPECIFICATIONS AND ORDERING INFORMATION

1 3/4" SQUARE 0.5 AMP @ 28 VDC

The M6 Series was originally designed to meet the requirements of MIL-S-3786/40. Standard construction includes 30° indexing up to 12 positions, solder lug terminals, and adjustable stops. Switching is available up to 32 positions.



SPECIFICATIONS

ELECTRICAL

Current and Voltage Rating: Make and break resistive load 0.5 amp @ 28 VDC; 0.125 amp @ 115 VAC.

Current Carrying Capacity: 10 amps.

Dielectric Strength: 1,500 VAC between current carrying parts and ground.

Contact Resistance: Average initial 10 milliohms.

Insulation Resistance: In excess of 1,000,000 megohms

Hardware: Mounting nut and lockwasher are shipped assembled.

MECHANICAL

Materials and Finishes: All parts utilize non-corrosive materials as standard.

Clips and Rotors: Silver alloy composite as standard.

Insulation: Glass epoxy.

Index: Dual-ball, hill and valley design.

Index Life: 25,000 cycles minimum.

Index Torque: Switches have lowest practical torque consistent with crisp detenting and smooth, reliable operation.

Index Angles: Positive 30° standard, 11.25°, 15°, and 22.5° available.

Index Stops: Adjustable standard, or continuous.

Stop Strength: 50 in. lbs. minimum.

STANDARD PART NUMBER

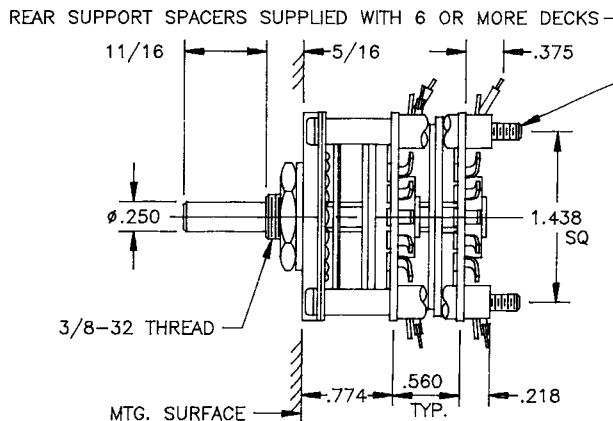
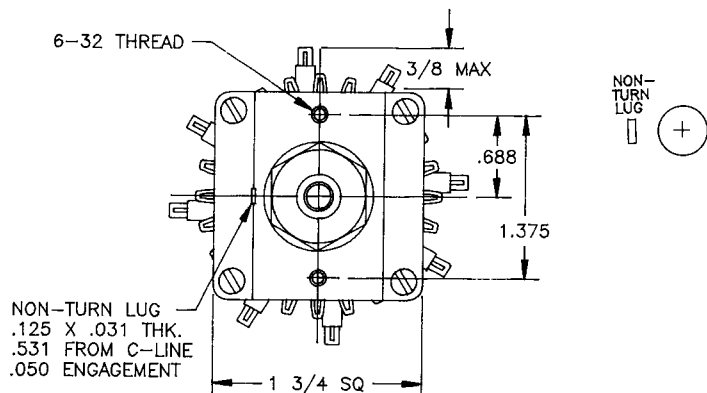
EPOXY GLASS INSULATION SWITCHES - 30° INDEXING
ADJUSTABLE STOPS SET @ 2 POS. - SOLDER LUG TERMINALS

POLES	ACTIVE POSITIONS	POLES/ SECTION	NO. OF SECTIONS	SHORTING	NON-SHORTING	FIG. *
01	02-12	1	1	M6G0112S	M6G0112N	MC
02	02-12	1	2	M6G0212S	M6G0212N	MC
02	02-06	2	1	M6G0206S	M6G0206N	MD
03	02-12	1	3	M6G0312S	M6G0312N	MC
04	02-12	1	4	M6G0412S	M6G0412N	MC
04	02-06	2	2	M6G0406S	M6G0406N	MD
06	02-06	2	3	M6G0606S	M6G0606N	MD
08	02-06	2	4	M6G0806S	M6G0806N	MD

* FIGURES ARE SHOWN ON PAGE 57.

DIMENSIONS

STANDARD CONSTRUCTION
M6G - GLASS EPOXY CONSTRUCTION



How to Order Additional Options:

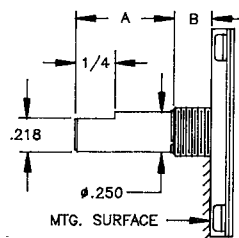
2 DIGIT SERIES	INSULATION TYPE	TOTAL POLES	ACTIVE POSITIONS	CONTACT TYPE	TERMINAL TYPE	INDEX ANGLE	STOP TYPE	SHAFT/ BUSHING	SHAFT FLAT
M6	G - GLASS	01 - MIN.	12 - MAX @ 30° 16 - MAX @ 22.5°	N - NON-SHORTING S - SHORTING	L - SOLDER LUG R - REAR P.C.	11.5° 15° 22.5° 30°	A - ADJ. C - CONT.	SEE CHART "A"	SEE CHART "B"
M6	G - GLASS	01 - MIN.	32 - MAX @ 11.5° 24 - MAX @ 15°	S - SHORTING					

CUSTOMERS SPECIFIED ORDER NUMBER FOR STANDARD OPTIONS

M	6	G	<input type="text"/>	<input type="text"/>	<input type="checkbox"/>	<input type="checkbox"/>	<input type="checkbox"/>	<input type="checkbox"/>	<input type="checkbox"/>	<input type="checkbox"/>
			(SPECIFY)	(SPECIFY)	(SPECIFY)	(SPECIFY)	(SPECIFY)	(SPECIFY)	(SPECIFY)	(SPECIFY)

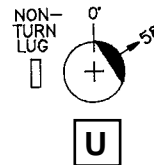
ADDITIONAL OPTIONS

SHAFT, BUSHING, AND FLAT OPTIONS



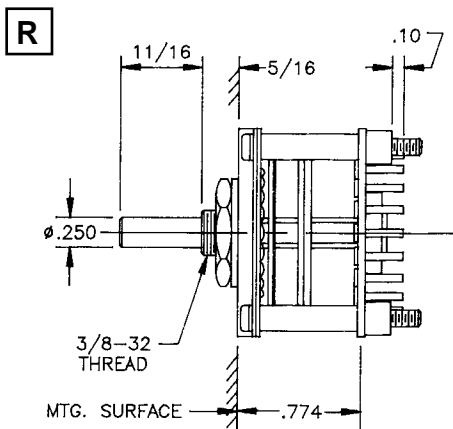
P/N OPT.	SHAFT LGTH. "A"	BUSH. LGTH. "B"
01	11/16	5/16
02	5/8	3/8

P/N OPT.	FLAT ANGLE
B	ROUND
U	58°

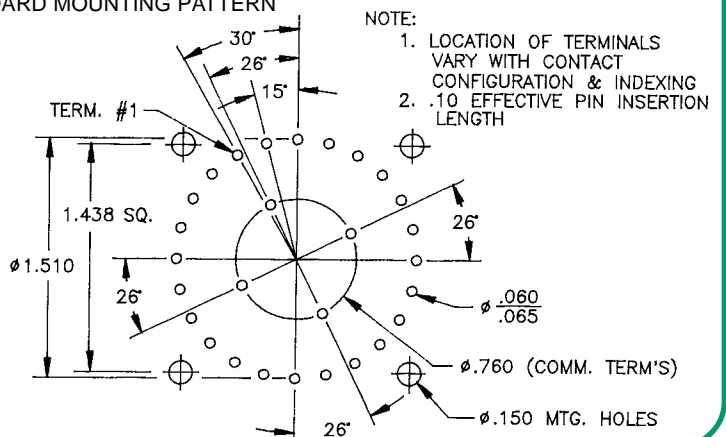


SHAFT AS VIEWED WITH NON-TURN LUG AT 9 O'CLOCK AND SHAFT IN EXTREME CCW POSITION AND STRUT BOLTS ORIENTED VERTICALLY.

PRINTED CIRCUIT BOARD OPTIONS



P.C. BOARD MOUNTING PATTERN



NOTE:
1. LOCATION OF TERMINALS VARY WITH CONTACT CONFIGURATION & INDEXING
2. .10 EFFECTIVE PIN INSERTION LENGTH

CUSTOM SWITCHES ARE AVAILABLE. CONTACT THE FACTORY WITH YOUR COMPLETE SPECIFICATIONS.

X-ON Electronics

Largest Supplier of Electrical and Electronic Components

Click to view similar products for [Rotary Switches](#) category:

Click to view products by [Electroswitch](#) manufacturer:

Other Similar products are found below :

[57HS22-02-2-06N](#) [57M22-02B16N](#) [57M22-09A16N](#) [M3786/4-0881](#) [M3786/4-3267](#) [M3786/4-5568](#) [M3786/4-6029](#) [71ESF30-05204N](#)
[MC06L1NCGF](#) [84986-26](#) [9003K2C003GA](#) [PLR3251](#) [PLR3262](#) [PS3](#) [A0142M2SP](#) [A029303](#) [R2AA4455NNNN](#) [R2BB4455NNNN](#) [DR75-](#)
[AMSF-10R-B](#) [1703.3201](#) [HW1MS-0202-101](#) [24002-03S](#) [A029101](#) [ACSNO-129-YB-C1014](#) [ACSNO-134-RR-YB-C1005](#) [ACSNO-353-SB-](#)
[C3016](#) [1825537-4](#) [T505](#) [T505E](#) [24005-03N](#) [H10207RR01Q](#) [M3786/39-4ZC](#) [M3786/4-0002](#) [M3786/4-0630](#) [M3786/4-1028L](#) [M3786/4-](#)
[1233L](#) [M3786/4-3044](#) [M3786/4-3129](#) [M3786/4-5008L](#) [M3786/4-5256](#) [MC6CX1A502X009](#) [42HS36-01-1-06N](#) [42P36-03B10S](#) [44MBS60-](#)
[04-2-03N](#) [44MG90-02-1-02N](#) [50KMT90-01-2-02N](#) [51A22-01-1-16S](#) [51CDP30-01PAJN](#) [51KSP30-01D04N](#) [51P30-01B12N](#)