

M7 - SERIES

SPECIFICATIONS AND ORDERING INFORMATION

2 1/2" SQUARE 0.5 AMPS @ 28 VDC

The M7 Series was originally designed to meet the requirements of MIL-S-3786/15. Standard construction includes 15° indexing up to 24 positions, adjustable stops and solder lug terminals. Switching is available with up to 48 positions. A very reliable switch for critical applications.



SPECIFICATIONS

ELECTRICAL

Current and Voltage Rating: Make and break resistive load
0.5 amp @ 28 VDC; 0.125 amp @ 115 VAC.
Current Carrying Capacity: 10 amps.
Dielectric Strength: 1,500 VAC between current carrying parts and ground.
Contact Resistance: Average initial 10 milliohms.
Insulation Resistance: In excess of 1,000,000 megohms

Hardware: Mounting nut and lockwasher are shipped assembled.

MECHANICAL

Materials and Finishes: All parts utilize non-corrosive materials as standard.
Clips and Rotors: Silver alloy composite as standard.
Insulation: Glass epoxy.
Index: Dual-ball, hill and valley design.
Index Life: 25,000 cycles minimum.
Index Torque: Switches have lowest practical torque consistent with crisp detenting and smooth, reliable operation.
Index Angles: Positive 15° standard, 7.5° available.
Index Stops: Adjustable standard, or continuous.
Stop Strength: 50 in. lbs. minimum.

STANDARD PART NUMBER

EPOXY GLASS INSULATION
ADJUSTABLE STOPS SET @ 2 POS. - SOLDER LUG TERMINALS

SWITCHES - 15° INDEXING

EPOXY GLASS INSULATION

SWITCHES - 7.5° INDEXING

ADJUSTABLE STOPS SET @ 2 POS. - SOLDER LUG TERMINALS

POLES	ACTIVE POSITIONS	POLES/ SECTION	NO. OF SECTIONS	SHORTING	NON-SHORTING	FIG. *
01	02-24	1	1	M7G0124N	ME
02	02-24	1	2	M7G0224N	ME
02	02-12	2	1	M7G0212N	MF
03	02-24	1	3	M7G0324N	ME
04	02-12	2	2	M7G0412N	MF
03	02-06	3	1	M7G0306N	MG
06	02-12	2	3	M7G0612N	MF
09	02-06	3	3	M7G0906N	MG
12	02-06	4	3	M7G1206N	MH

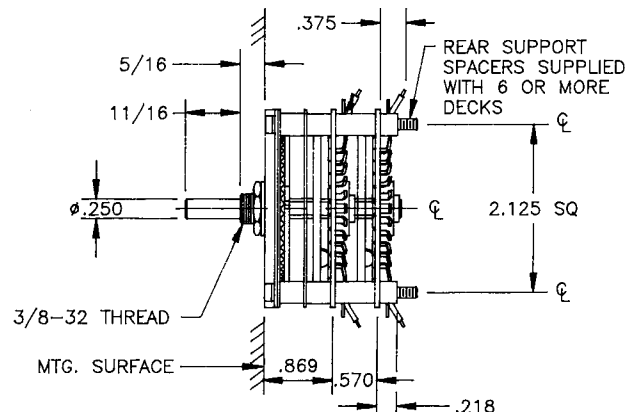
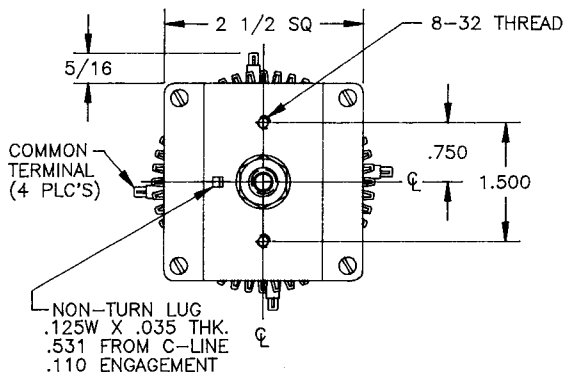
POLES	ACTIVE POSITIONS	POLES/ SECTION	NO. OF SECTIONS	SHORTING	NON-SHORTING	FIG. *
01	02 - 48	1	1	M7G0148S-75	MI

* FIGURES ARE SHOWN ON PAGE 57.

DIMENSIONS

STANDARD CONSTRUCTION

M7G - GLASS EPOXY CONSTRUCTION



How to Order Additional Options:

2 DIGIT SERIES	INSULATION TYPE	TOTAL POLES	ACTIVE POSITIONS	CONTACT TYPE	TERMINAL TYPE	INDEX ANGLE	STOP TYPE	SHAFT/ BUSHING	SHAFT FLAT
M7	G - GLASS	01 - MIN.	48 - MAX @ 7.5°	S - SHORTING		7.5° 15°	A - ADJ. C - CONT.	SEE CHART "A"	SEE CHART "B"
M7	G - GLASS	01 - MIN.	24 - MAX @ 15°	N - NON-SHORTING					

CUSTOMERS SPECIFIED ORDER NUMBER FOR STANDARD OPTIONS					ADDITIONAL OPTIONS				
M	7	G	<input type="text"/>	<input type="text"/>	<input type="text"/>	<input type="checkbox"/>	<input type="checkbox"/>	<input type="checkbox"/>	<input type="checkbox"/>
			(SPECIFY)	(SPECIFY)	(SPECIFY)		(SPECIFY)	(SPECIFY)	(SPECIFY)

SHAFT, BUSHING, AND FLAT OPTIONS

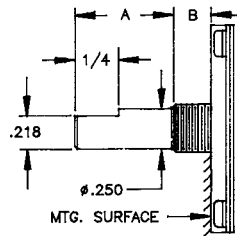
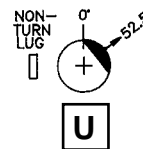


CHART "A"		
P/N OPT.	SHAFT LGTH. "A"	BUSH. LGTH. "B"
01	11/16	5/16
02	1	0

CHART "B"	
P/N OPT.	FLAT ANGLE
B	ROUND
U	52.5°

SHAFT AS VIEWED WITH NON-TURN LUG AT 9 O'CLOCK AND SHAFT IN EXTREME CCW POSITION AND STRUT BOLTS ORIENTED VERTICALLY.



CUSTOM SWITCHES ARE AVAILABLE. CONTACT THE FACTORY WITH YOUR COMPLETE SPECIFICATIONS.

X-ON Electronics

Largest Supplier of Electrical and Electronic Components

Click to view similar products for [Rotary Switches](#) category:

Click to view products by [Electroswitch](#) manufacturer:

Other Similar products are found below :

[57HS22-02-2-06N](#) [57M22-02B16N](#) [57M22-09A16N](#) [M3786/4-0881](#) [M3786/4-3267](#) [M3786/4-5568](#) [M3786/4-6029](#) [71ESF30-05204N](#)
[MC06L1NCGF](#) [84986-26](#) [9003K2C003GA](#) [PLR3251](#) [PLR3262](#) [PS3](#) [A0142M2SP](#) [A029303](#) [R2AA4455NNNN](#) [R2BB4455NNNN](#) [DR75-](#)
[AMSF-10R-B](#) [1703.3201](#) [HW1MS-0202-101](#) [24002-03S](#) [A029101](#) [ACSNO-129-YB-C1014](#) [ACSNO-134-RR-YB-C1005](#) [ACSNO-353-SB-](#)
[C3016](#) [1825537-4](#) [T505](#) [T505E](#) [24005-03N](#) [H10207RR01Q](#) [M3786/39-4ZC](#) [M3786/4-0002](#) [M3786/4-0630](#) [M3786/4-1028L](#) [M3786/4-](#)
[1233L](#) [M3786/4-3044](#) [M3786/4-3129](#) [M3786/4-5008L](#) [M3786/4-5256](#) [MC6CX1A502X009](#) [42HS36-01-1-06N](#) [42P36-03B10S](#) [44MBS60-](#)
[04-2-03N](#) [44MG90-02-1-02N](#) [50KMT90-01-2-02N](#) [51A22-01-1-16S](#) [51CDP30-01PAJN](#) [51KSP30-01D04N](#) [51P30-01B12N](#)