

Column level indicators

stainless steel assembly screws, technopolymer

MATERIAL

Transparent polyamide based (PA-T) technopolymer. Highly resistant to shocks, solvents, oils with additives, aliphatic and aromatic hydrocarbons, petrol, naphtha, phosphoric esters.

Avoid contact with alcohol or detergents containing alcohol.

SCREWS, NUTS AND WASHERS

AISI 303 stainless steel screws, AISI 304 stainless steel nuts and washers.

PACKING RINGS

FKM type VITON®*O-Ring.

Suggested roughness of the packing ring application surface Ra = 3 µm.

CONTRAST SCREEN

White lacquered aluminium. The housing, in the appropriate external rear slot, guarantees the best protection from direct contact with fluid.

It can be taken out from the inclined side, before assembly to allow the insertion of level lines or words.

STANDARD EXECUTIONS

- **HCX-SST**: without thermometer.
- **HCX/T-SST**: with incorporated thermometer.

MOUNTING

When fitting is not possible from the inside of the reservoir and the walls are not thick enough, the screws can be used together with Fast Mounting Kit (see page 1768).

MAXIMUM CONTINUOUS WORKING TEMPERATURE

90°C (with oil).

FEATURES AND PERFORMANCES

- Ultrasound welding to guarantee a perfect seal.
- Maximum fluid level visibility even from side positions.
- Lens effect for a better visibility of the fluid level and temperature.

TECHNICAL DATA

In laboratory tests carried out with mineral oil type CB68 (according to ISO 3498) at 23°C for a limited period of time, the weld stood up to: 18 bar (HCX.76-SST and HCX.127-SST) 12 bar (HCX.254-SST).

For use with other fluids and under different pressure and temperature conditions, please contact ELESA Technical Department.

In any case we suggest to verify the suitability of the product under the actual working conditions.

OTHER STANDARD EXECUTIONS

- HCX-AR (see page 1763) for use with fluids containing alcohol.
- HCX-BW-SST (see page 1762) for use with hot water.
- HCX-PT (see page 1764) with SUPER-technopolymer protection frame.

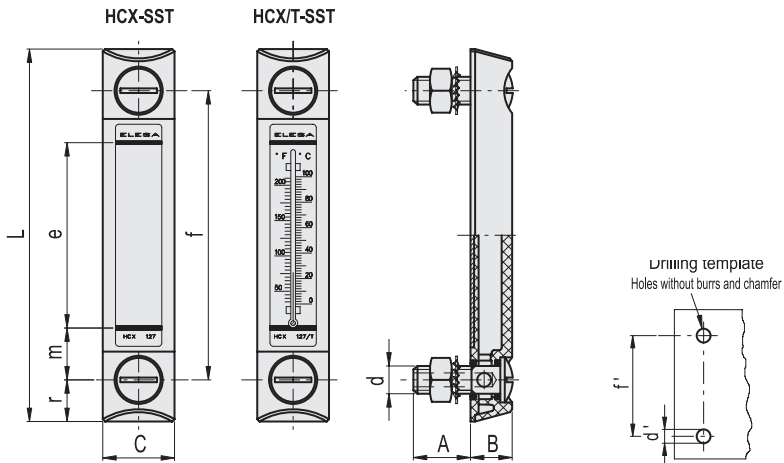
SPECIAL EXECUTIONS ON REQUEST

- UV resistant transparent technopolymer indicators.
- Indicators with two red ball-shaped floats (only for the execution without thermometer).
- Indicators with cylindrical or step-shaped (NBR or FKM) packing rings (instead of OR) for mounting on reservoirs having rough surfaces or in any case not perfectly flat.

* Registered trademark by DuPont Dow Elastomers.



ELESA Original design



STAINLESS STEEL

Code	Description	f	d	A	B	C	L	e	m	r	d'-0.2	f'±0.2	Thermometer scale°C	Thermometer scale°F	C# [Nm]	⚖️
11343	HCX.76-SST-M10	76	M10	22	16	27	107	40	18	15.5	10.5	76	-	-	12	87
11348	HCX.76/T-SST-M10	76	M10	22	16	27	107	40	18	15.5	10.5	76	20+100	68+210	12	87
11353	HCX.127-SST-M12	127	M12	23	18	31	161	80	23	17	12.5	127	-	-	12	138
11358	HCX.127/T-SST-M12	127	M12	23	18	31	161	80	23	17	12.5	127	0+100	32+210	12	138
11363	HCX.254-SST-M12	254	M12	21	18	35	291	203	26	18.5	12.5	254	-	-	10	185
11368	HCX.254/T-SST-M12	254	M12	21	18	35	291	203	26	18.5	12.5	254	0+100	32+210	10	185

Maximum tightening torque

X-ON Electronics

Largest Supplier of Electrical and Electronic Components

Click to view similar products for [Elesa & Ganter](#) manufacturer:

Other Similar products are found below :

[11353](#) [13651](#) [13681](#) [13711](#) [13721](#) [13726](#) [13731](#) [137901](#) [141131](#) [141141](#) [141221](#) [141311](#) [141331](#) [141335](#) [141341](#) [141421](#) [141471](#)
[141511](#) [141531](#) [141541](#) [141561](#) [142121](#) [142211](#) [142231](#) [142351](#) [220416-C1](#) [221206-C1](#) [221206-C2](#) [221206-C3](#) [221206-C4](#) [221206-C5](#)
[221206-C6](#) [221221-C1](#) [221221-C2](#) [221221-C3](#) [221221-C4](#) [221221-C5](#) [221221-C6](#) [221226-C1](#) [221406-C1](#) [221406-C3](#) [221426-C1](#) [221436-](#)
[C1](#) [221631-C1](#) [221641-C1](#) [222221-C1](#) [222221-C2](#) [222221-C3](#) [222221-C4](#) [222221-C5](#)