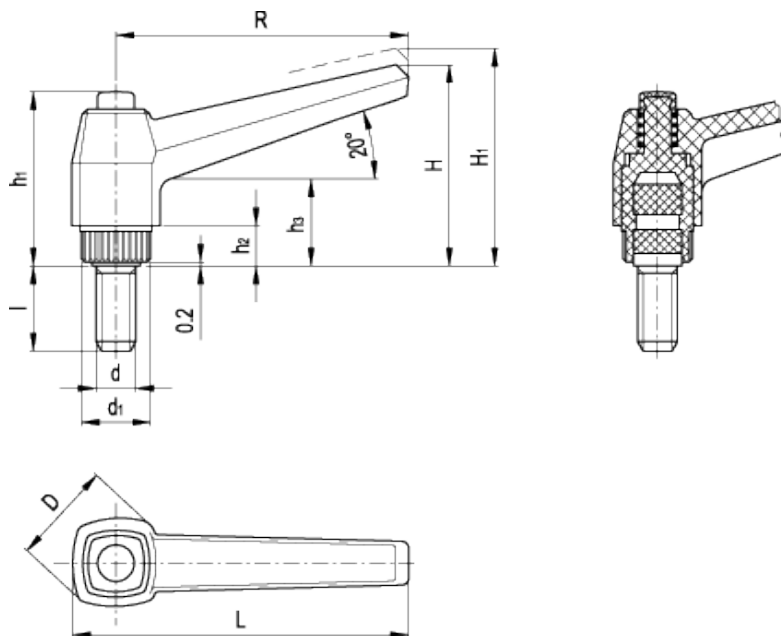


# MRX.p

Adjustable handles



## technical informations

### Lever body

Glass-fibre reinforced polyamide based (PA) technopolymer. Resistant to solvents, oils, greases and other chemical agents.

### Colour

Black, matte finish.

### Push button

Technopolymer, black colour, matte finish.

### Clamping element with retaining pin

Glass-fibre reinforced technopolymer, black colour, with knurling on the protruding part to make initial tightening easier. AISI 302 stainless steel return spring.

### Assembly

Zinc-plated steel threaded stud, chamfered flat end according to UNI 947 : ISO 4753 (see [Technical Data](#) ).

### Special executions on request (For sufficient quantities)

Lever body RAL 2004 orange, RAL 6011 green, RAL 7031 grey.

### Features and applications

Particularly suitable when the lever turning angle is limited owing to lack of space.

Compared to other types of adjustable handles with metal retaining screw this solution offers:

- absolute electric insulation for the operator's hand
- no visible steel parts subject to rust
- more comfortable lever release.

### Stress resistance

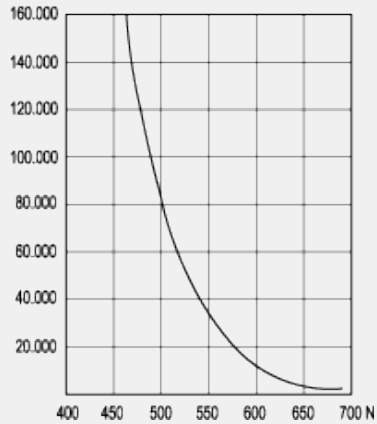
Adjustable handles are generally used for repetitive clamping operations sometimes with very high-frequency.

Therefore, the stress resistance (i.e. the resistance to repeated tightening cycles) of the handle unit is particularly important and, especially, the strength of the toothed element which transmits the tightening force from the handle to the threaded element (boss or stud).

In fact, the results of several laboratory tests, performed with a special instrument that simulates the most severe use conditions, have shown that e.g. MRX.80 p adjustable handle can withstand without yielding more than 100,000 tightening cycles, under the action of a force of 490 N (see graphic).

The special glass-fibre reinforced technopolymer enables the ELESA adjustable handles to guarantee stress resistance values which are much higher than the ones generated under normal working conditions.

NUMBER OF TIGHTENINGS



### Instructions of use

For clamping, lift the lever to disengage the clamping device toothed and bring it back to start position. By releasing the lever, the return spring automatically engages the toothed.

Standard Elements		Main dimensions									Threaded stud		Teeth no.	Weight
Code	Description	R	L	D	H	H <sub>1</sub>	h <sub>1</sub>	h <sub>2</sub>	h <sub>3</sub>	d <sub>1</sub>	d <sub>6g</sub>	l	z	g
141201	MRX.40 p-M5x10	42	50	18	32	35.5	29	6	14	12	M5	10	18	10
141211	MRX.40 p-M5x16	42	50	18	32	35.5	29	6	14	12	M5	16	18	11
141221	MRX.40 p-M5x20	42	50	18	32	35.5	29	6	14	12	M5	20	18	12
141301	MRX.40 p-M6x10	42	50	18	32	35.5	29	6	14	12	M6	10	18	12
141311	MRX.40 p-M6x16	42	50	18	32	35.5	29	6	14	12	M6	16	18	13
141321	MRX.40 p-M6x20	42	50	18	32	35.5	29	6	14	12	M6	20	18	14
141331	MRX.40 p-M6x25	42	50	18	32	35.5	29	6	14	12	M6	25	18	15
141335	MRX.40 p-M6x30	42	50	18	32	35.5	29	6	14	12	M6	30	18	16
141341	MRX.40 p-M6x40	42	50	18	32	35.5	29	6	14	12	M6	40	18	18
141431	MRX.63 p-M6x10	63	73	23	43	46.5	37	8	17	15	M6	10	20	25
141441	MRX.63 p-M6x16	63	73	23	43	46.5	37	8	17	15	M6	16	20	26
141451	MRX.63 p-M6x20	63	73	23	43	46.5	37	8	17	15	M6	20	20	27
141461	MRX.63 p-M6x25	63	73	23	43	46.5	37	8	17	15	M6	25	20	28
141466	MRX.63 p-M6x30	63	73	23	43	46.5	37	8	17	15	M6	30	20	29
141470	MRX.63 p-M6x35	63	73	23	43	46.5	37	8	17	15	M6	35	20	30
141471	MRX.63 p-M6x40	63	73	23	43	46.5	37	8	17	15	M6	40	20	31
141501	MRX.63 p-M8x16	63	73	23	43	46.5	37	8	17	15	M8	16	20	28
141511	MRX.63 p-M8x20	63	73	23	43	46.5	37	8	17	15	M8	20	20	29
141521	MRX.63 p-M8x25	63	73	23	43	46.5	37	8	17	15	M8	25	20	31
141531	MRX.63 p-M8x30	63	73	23	43	46.5	37	8	17	15	M8	30	20	32
141535	MRX.63 p-M8x35	63	73	23	43	46.5	37	8	17	15	M8	35	20	35
141541	MRX.63 p-M8x40	63	73	23	43	46.5	37	8	17	15	M8	40	20	36
141551	MRX.63 p-M8x45	63	73	23	43	46.5	37	8	17	15	M8	45	20	37
141561	MRX.63 p-M8x50	63	73	23	43	46.5	37	8	17	15	M8	50	20	38
141569	MRX.63 p-M8x60	63	73	23	43	46.5	37	8	17	15	M8	60	20	40
142201	MRX.80 p-M10x20	80	92	28	54	58.5	47	10	22	19	M10	20	24	54
142211	MRX.80 p-M10x25	80	92	28	54	58.5	47	10	22	19	M10	25	24	57
142221	MRX.80 p-M10x30	80	92	28	54	58.5	47	10	22	19	M10	30	24	60
142225	MRX.80 p-M10x35	80	92	28	54	58.5	47	10	22	19	M10	35	24	62
142231	MRX.80 p-M10x40	80	92	28	54	58.5	47	10	22	19	M10	40	24	62
142241	MRX.80 p-M10x50	80	92	28	54	58.5	47	10	22	19	M10	50	24	68
142245	MRX.80 p-M10x60	80	92	28	54	58.5	47	10	22	19	M10	60	24	73
142251	MRX.80 p-M10x70	80	92	28	54	58.5	47	10	22	19	M10	70	24	79
142301	MRX.80 p-M12x20	80	92	28	54	58.5	47	10	22	19	M12	20	24	62
142311	MRX.80 p-M12x25	80	92	28	54	58.5	47	10	22	19	M12	25	24	67
142321	MRX.80 p-M12x30	80	92	28	54	58.5	47	10	22	19	M12	30	24	68
142325	MRX.80 p-M12x35	80	92	28	54	58.5	47	10	22	19	M12	35	24	82
142331	MRX.80 p-M12x40	80	92	28	54	58.5	47	10	22	19	M12	40	24	75
142335	MRX.80 p-M12x45	80	92	28	54	58.5	47	10	22	19	M12	45	24	80
142341	MRX.80 p-M12x50	80	92	28	54	58.5	47	10	22	19	M12	50	24	83
142351	MRX.80 p-M12x60	80	92	28	54	58.5	47	10	22	19	M12	60	24	92
142361	MRX.80 p-M12x70	80	92	28	54	58.5	47	10	22	19	M12	70	24	98

142365	MRX.80 p-M12x80	80	92	28	54	58.5	47	10	22	19	M12	80	24	105
142601	MRX.100 p-M12x30	100	114	33	65	69.5	54	12	25	25	M12	30	28	96
142651	MRX.100 p-M12x50	100	114	33	65	69.5	54	12	25	25	M12	50	28	112
142701	MRX.100 p-M12x70	100	114	33	65	69.5	54	12	25	25	M12	70	28	127
142801	MRX.100 p-M14x30	100	114	33	65	69.5	54	12	25	25	M14	30	28	112
142831	MRX.100 p-M14x50	100	114	33	65	69.5	54	12	25	25	M14	50	28	132
142851	MRX.100 p-M14x70	100	114	33	65	69.5	54	12	25	25	M14	70	28	152
142901	MRX.100 p-M16x30	100	114	33	65	69.5	54	12	25	25	M16	30	28	138
142951	MRX.100 p-M16x50	100	114	33	65	69.5	54	12	25	25	M16	50	28	163
142981	MRX.100 p-M16x70	100	114	33	65	69.5	54	12	25	25	M16	70	28	190

This product had the following design awards:



ELESA and GANTER models all rights reserved in accordance with the law. Always mention the source when reproducing our drawings.

STANDARD MACHINE ELEMENTS WORLDWIDE

## X-ON Electronics

Largest Supplier of Electrical and Electronic Components

*Click to view similar products for [Other Tools](#) category:*

*Click to view products by [Elesa & Ganter](#) manufacturer:*

Other Similar products are found below :

[CR-0AFL4--332K](#) [568681-1](#) [5800-0090](#) [58061-1](#) [59065-5](#) [59085](#) [00-8273-RDPP](#) [00-8729-WHPP](#) [593033](#) [593072](#) [593564100](#) [593575](#)  
[593593](#) [011349-000](#) [CRCW08052740FRT1](#) [LUC-012S070DSM](#) [LUC-018S070DSP](#) [LUC-024S105DSP](#) [599-2021-3-NME](#) [599-JJ-2021-03](#)  
[00-5080-YWPP](#) [00-9089-RDPP](#) [00-9300-RDPP](#) [CRCW2010331JR02](#) [601-JJ-06](#) [601-SPB](#) [601YSY](#) [602-JJ-03](#) [602SPB](#) [603-JJ-07-FP](#) [603-](#)  
[JJY-04](#) [M15570-25](#) [CRTN1013](#) [CS16](#) [6-1579014-0](#) [6203](#) [62200-5709](#) [6240-1](#) [M43435 TY 2 SZ 3 FIN B BLK](#) [M43435 TY 5 SZ 3 FIN C](#)  
[NAT](#) [M-5Z](#) [M6816](#) [M7298](#) [M7456](#) [M7976](#) [660-29ABT1](#) [662508-1](#) [CVHD-950X-93.333](#) [CW104-01X](#) [671-GP-04-KT39-73207](#)