

Guard wing handles

Technopolymer

MATERIAL

Glass-fibre reinforced polyamide based (PA) technopolymer, grey-black colour, matte finish.

SCREW-COVERS

ECA.P: polyester based technopolymer (PBT) in Elecolors colours, glossy finish, press-fit assembly. Supplied. Available also as accessories sold separately (see table).

STANDARD EXECUTIONS

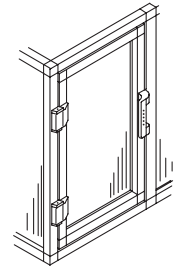
- **EWP-EH:** pass-through holes for cylindrical-head screws with hexagon socket, hexagonal-head screws or standard lock nuts.
- **EWP-SH:** pass-through holes for countersunk head screws.

FEATURES AND APPLICATIONS

EWP handles have been especially designed to fit machine guards or automation systems with single-leaf door. The coloured caps improve the visibility of the handle and offer the possibility of product customisation.

TECHNICAL DATA

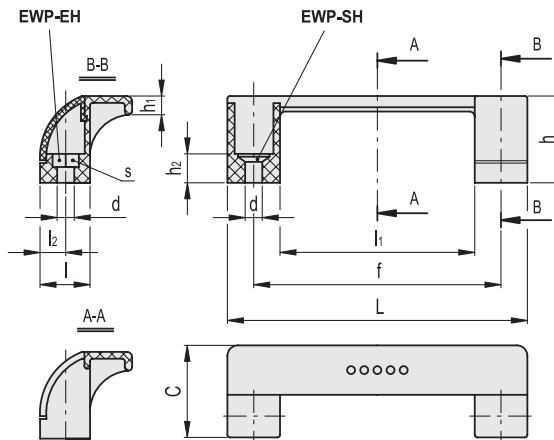
Tensile stress: F1 value reported in the table is the result of breaking tests carried out with an appropriate dynamometric equipment under the test conditions shown in the figure with ambient temperature. Maximum tightening torque for screw assembly 3 Nm.



ECA.P

Code	Description	Screw covers for
29865-*	ECA.P5-*	EWP.110

* Complete with colour index (C1, ..., C6).



* Complete with colour index, example: 265211-C2 EWP.110-EH-C2



Code	Description	L	f±0.5	d	s	h	h1	h2	C	l	l1	l2	F1 [N]	
265211-*	EWP.110-EH-*	114	93.5	6.5	10	33	7	11	35	19	74	9.5	900	26
265251-*	EWP.110-SH-*	114	93.5	6.5	-	33	7	11	35	19	74	9.5	900	26



X-ON Electronics

Largest Supplier of Electrical and Electronic Components

Click to view similar products for [Mounting Fixings](#) category:

Click to view products by [Elesa & Ganter](#) manufacturer:

Other Similar products are found below :

[5912235-1 REV](#) - [71-215091-8S](#) [75-69211-3P](#) [75-69214-6P](#) [75-69220-27S](#) [7717-8DAP](#) [85048GBESR](#) [PMS27488-001-01](#) [1-18023-0](#) [H-118-2](#) [1301790551](#) [BR16A](#) [NT20SATT01](#) [22594-8](#) [89078GBEPR](#) [89078GBESR](#) [9150700000](#) [SF4011-60101](#) [1671](#) [1855-54](#) [1996901-1](#) [2079844-1](#) [2193](#) [2518](#) [H-118-1](#) [BACC47CN2S](#) [LF9Z-1SB22](#) [WMLX-109](#) [364202K01V167](#) [ELXA051G1](#) [2547](#) [1453315-11](#) [71-452350-8S](#) [71-572965-8S](#) [75-69214-7J](#) [75-69811-3S](#) [H373247-15](#) [81517301](#) [P954-1](#) [860099-1](#) [1189-90](#) [1106352-2](#) [5D0515-20S REV A](#) [M39014/01-1570](#) [30809-700](#) [6024](#) [734032001](#) [197-007](#) [BRKT-ND](#) [197-003](#)