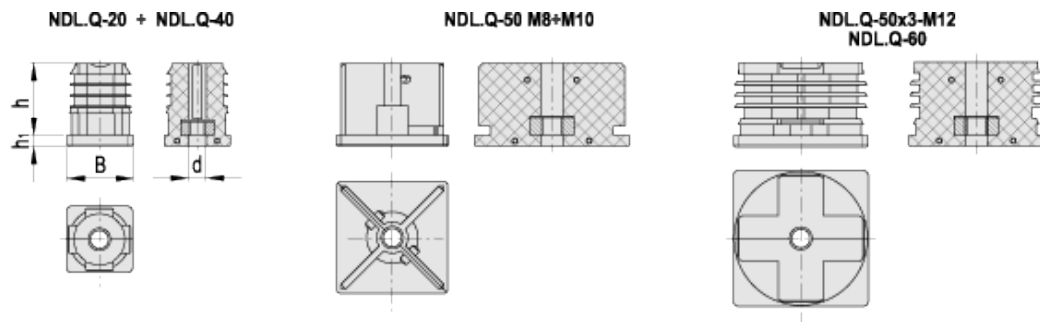


# NDL.Q

End-caps for square tubes



## technical informations

### Material

Polyamide (PA) based technopolymer. Resistant to solvents, oils, greases and other chemical agents.

### Colour

Black, matte finish.

### Features and applications

The two end-cap parts are connected together by means of two pins which are housed in special counter-seats. A cavity inside the end-cap is provided for housing an hexagonal nut DIN 934.

The assembly can be performed simply by positioning the end-cap, forcing it, inside the tube, with no need of screws or other fasteners.

### Special executions on request

End-cap without nut.



Standard Elements		Main dimensions				Tube dimensions			Max limit static load*	Weight
Code	Description	B	h	h <sub>1</sub>	d	External	Thickness <sub>min-max</sub>	Internal <sub>max-min</sub>	[N]	g
430551	NDL.Q-20x1.5-2-M6	20	34	5	M6	20	1.5-2	17-16	3000	10
430553	NDL.Q-20x1.5-2-M8	20	34	5	M8	20	1.5-2	17-16	3000	11
430555	NDL.Q-20x1.5-2-M10	20	33	10	M10	20	1.5-2	17-16	3000	16
430557	NDL.Q-20x2-M8	20	34	5	M8	20	2	16	3000	11
430561	NDL.Q-25x1-1.5-M8	25	34	5	M8	25	1-1.5	23-22	3000	17
430563	NDL.Q-25x1.5-M10	25	33	5	M10	25	1.5	22	3000	21
430565	NDL.Q-25x2-M8	25	34	5	M8	25	2	21	3000	16
430567	NDL.Q-25x2-M10	25	34	5	M10	25	2	21	3000	20
430571	NDL.Q-30x1.5-2-M8	30	34	5	M8	30	1.5-2	27-26	3000	20
430573	NDL.Q-30x1.5-2-M10	30	34	5	M10	30	1.5-2	27-26	3000	24
430575	NDL.Q-30x2.5-M10	30	33	5	M10	30	2.5	25	3000	24
430581	NDL.Q-35x1-2-M10	35	34	5	M10	35	1-2	33-31	3000	30
430583	NDL.Q-35x1.5-M12	35	34	5	M12	35	1.5	32	3000	37
430585	NDL.Q-35x1.5-2-M8	35	34	5	M8	35	1.5-2	32-31	3000	26
430587	NDL.Q-35x1.5-2-M12	35	34	5	M12	35	1.5-2	32-31	3000	36
430591	NDL.Q-40x1.5-2-M8	40	33	5	M8	40	1.5-2	37-36	3000	38
430593	NDL.Q-40x1.2-1.5-M10	40	33	5	M10	40	1.2-1.5	37.6-37	3000	42
430595	NDL.Q-40x1.5-2-M10	40	33	5	M10	40	1.5-2	37-36	3000	41
430597	NDL.Q-40x1.5-2-M12	40	33	5	M12	40	1.5-2	37-36	3000	44
430599	NDL.Q-40x1.5-2-M16	40	33	5	M16	40	1.5-2	37-36	3000	55
430601	NDL.Q-40x2-M8	40	34	5	M8	40	2	36	3000	26
430603	NDL.Q-40x3-M10	40	33	5	M10	40	3	34	3000	41
430611	NDL.Q-50x1.5-M10	50	34	5	M10	50	1.5	47	3000	42
430613	NDL.Q-50x2-M8	50	34	5	M8	50	2	46	3000	37
430615	NDL.Q-50x2-M10	50	32	5	M10	50	2	46	3000	41
430617	NDL.Q-50x2.5-M10	50	33	5	M10	50	2.5	45	3000	41
430619	NDL.Q-50x3-M12	50	34	5	M12	50	3	44	3000	50
430621	NDL.Q-60x1.5-2-M10	60	34	5	M10	60	1.5-2	57-56	3000	70
430623	NDL.Q-60x1.5-2-M12	60	34	5	M12	60	1.5-2	57-56	3000	74

\* The max limit static load is the value above which the load applied to the element may cause some plastic material breakage, under particular conditions of use. Obviously, a factor that takes into consideration the importance and the safety level of the specific application must be applied to this value. The values shown in the table refer to the use of the end-cap in combination with a steel tube. The use of an aluminum tube may cause a decrease in the max limit static load equal to 25% due to possible deformations of the tube section under load.



ELESA and GANTER models all rights reserved in accordance with the law. Always mention the source when reproducing our drawings.

**STANDARD MACHINE ELEMENTS WORLDWIDE**

## X-ON Electronics

Largest Supplier of Electrical and Electronic Components

*Click to view similar products for [Mounting Fixings](#) category:*

*Click to view products by [Elesa & Ganter](#) manufacturer:*

Other Similar products are found below :

[5912235-1 REV - 007541](#) [627](#) [M3783-7001](#) [75-69224-5S](#) [7717-8DAP](#) [85048GBESR](#) [FPK-02-R10](#) [PMS27488-001-01](#) [1-18023-0](#) [H-118-2](#)  
[DB1](#) [1302030464](#) [1302010957](#) [1302263564](#) [1302340393](#) [1404-0016-78](#) [14540](#) [1561-60](#) [1566](#) [1566](#) [BR16A](#) [NT20SATT01](#)  
[201C5058-01-201 REV E](#) [22594-8](#) [KBB-141](#) [89078GBEPR](#) [89078GBESR](#) [915060](#) [SF4011-60101](#) [97-CS-50](#) [1671](#) [1855-54](#) [T-2085-SP](#)  
[20800240002](#) [21899-4](#) [2193](#) [2518](#) [25745-1](#) [H-118-1](#) [354467](#) [37184](#) [4658](#) [4665](#) [4731](#) [BRACKET-RA-30](#) [5500083](#) [HS5659MB98SN](#) [561-](#)  
[T001](#) [4222522019-542](#)