

## Duroplast wheels

**Steel or stainless steel sheet bracket, high temperatures**

### WHEEL CENTRE BODY

Phenolic based (PF) Duroplast monolithic wheel, resistance temperatures up to 300°C.

### ROLLING ACTION

Hub with steel or stainless steel tube (SST version) and PTFE bosses.

### TURNING PLATE BRACKET

Zinc-plated steel or AISI 304 stainless steel (SST version) sheet, the bracket is designed to withstand loads up to 2000N. The presence of a double ball race turns and the direct contact between the plate and the ball race ring with built-in pin ensure excellent manoeuvrability. Does not require maintenance. It consists of (see Fig.1):

1. fitting plate: electrolytically zinc-plated steel or AISI 304 stainless steel sheet;
2. fork: electrolytically zinc-plated steel or AISI 304 stainless steel sheet;
3. ball race ring: electrolytically zinc-plated steel or AISI 304 stainless steel sheet;
4. central pin: incorporated in the plate, cold reflanged;
5. rotation system: dual grease for high temperature-lubricated ball race;
6. dust seal: RAL 7015 dark grey technopolymer.

### STANDARD EXECUTIONS

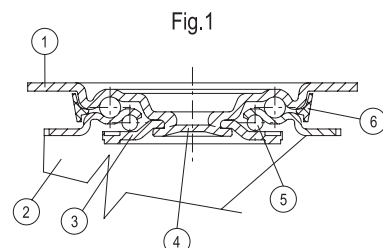
- **SBL**: turning plate bracket, without brake.
- **FBL**: turning plate bracket and centre pass-through hole, without brake.

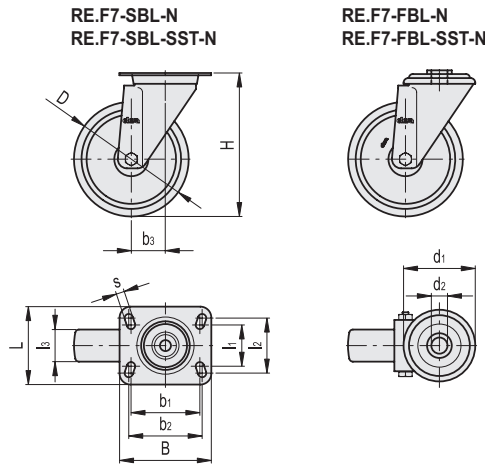
Index for bracket material:

- **N**: zinc-plated steel plate bracket.
- **N-SST**: AISI 304 stainless steel bracket.

### APPLICATIONS

Being resistant to high temperatures, RE.F7-N-HT wheel is particularly suitable for use in food industries and cooking ovens, especially in the baking sector.





RE.F7-SBL-N

Code	Description	D	l1	l2	l3	H	B	L	s	b1	b2	b3	Rolling resistance# [N]	Dynamic carrying capacity# [N]	⚖️
448556	RE.F7-080-SBL-N-HT	80	45	60	35	107	100	85	9	75	80	37	1250	1500	710
448561	RE.F7-100-SBL-N-HT	100	45	60	35	128	100	85	9	75	80	35	1300	2000	850

RE.F7-FBL-N

Code	Description	D	d1	d2	l3	H	b3	Rolling resistance# [N]	Dynamic carrying capacity# [N]	⚖️
448683	RE.F7-080-FBL-N-HT	80	73	12	35	107	37	1250	1500	620
448685	RE.F7-100-FBL-N-HT	100	73	12	35	128	35	1300	2000	720

RE.F7-SBL-SST-N

STAINLESS STEEL

Code	Description	D	l1	l2	l3	H	B	L	s	b1	b2	b3	Rolling resistance# [N]	Dynamic carrying capacity# [N]	⚖️
448701	RE.F7-080-SBL-SST-N-HT	80	45	60	35	107	100	85	9	75	80	37	1250	1500	710
448706	RE.F7-100-SBL-SST-N-HT	100	45	60	35	128	100	85	9	75	80	35	1300	2000	790

RE.F7-FBL-SST-N

STAINLESS STEEL

Code	Description	D	d1	d2	l3	H	b3	Rolling resistance# [N]	Dynamic carrying capacity# [N]	⚖️
448851	RE.F7-080-FBL-SST-N-HT	80	73	12	35	107	37	1250	1500	620
448856	RE.F7-100-FBL-SST-N-HT	100	73	12	35	128	35	1300	2000	720

# For rolling resistance and dynamic carrying capacity see Technical data on page -.



## X-ON Electronics

Largest Supplier of Electrical and Electronic Components

*Click to view similar products for [Mounting Fixings](#) category:*

*Click to view products by [Elesa & Ganter](#) manufacturer:*

Other Similar products are found below :

[007310](#) [007541](#) [6-141-P](#) [620HA038NF09](#) [620HA038NF11](#) [71-074914-006](#) [71-146610-6H](#) [712HA170B23128-N](#) [71-441549-19S](#) [71-490451-4H](#) [75-69116-8S](#) [75-69211-3P](#) [75-69224-28P](#) [75-69224-5S](#) [770-006A109](#) [770-006A109R](#) [770-006A207](#) [770-006A208W1](#) [770-006A209](#) [770-006A306](#) [770-006A703W1](#) [770-006A704](#) [770-006A704W1](#) [770-006A705](#) [770-006A706](#) [770-006A706W1](#) [770-006A707](#) [770-006A709](#) [770-007A203](#) [770-007A203W1](#) [770-007A204W1](#) [770-007A207W1](#) [770-007A703](#) [770-007A704W1](#) [770-007A706](#) [770-007A707W1](#) [770-010Y208](#) [770-010Y308](#) [770-010Y705](#) [770-010Y706](#) [770-010Y707W1](#) [770-011T201](#) [770-011T203](#) [770-011T701W1](#) [770-011T702](#) [770-011T702W1](#) [770-011T703](#) [770-013210W1](#) [770-013311](#) [770-013312](#)