

## Vulcanised rubber wheels

### Steel sheet bracket

#### COVERING WITH TREAD

Vulcanised rubber; hardness 83 Shore A.

#### WHEEL CENTRE BODY

Polypropylene-based (PP) technopolymer.

#### ROLLING ACTION

Hub with pass-through hole.

#### FIXED PLATE BRACKET

Zinc-plated steel sheet, the bracket is designed to withstand loads up to 3000N.

#### TURNING PLATE BRACKET

Zinc-plated steel sheet, the bracket is designed to withstand loads up to 3000N. The presence of a double ball race and the direct contact between the plate and the ball race ring with built-in pin ensure excellent manoeuvrability. Does not require maintenance. It consists of (see Fig.1):

1. fitting plate: electrolytically zinc-plated steel sheet;
2. fork: electrolytically zinc-plated steel sheet;
3. ball race ring: electrolytically zinc-plated steel sheet;
4. central pin: incorporated in the plate, cold reflanged;
5. rotation system: dual grease-lubricated ball race;
6. dust seal: RAL 7015 dark grey technopolymer.

#### BRAKE

Total brake that locks the wheel and bracket rotation.

The optimised dimensions and the retractable pedal ensure minimal space occupied and maximum actuation ease.

Hardened carbon steel spring.

#### STANDARD EXECUTIONS

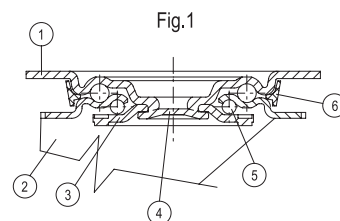
- **PBL-N**: fixed plate bracket, without brake.
- **SBL-N**: turning plate bracket, without brake.
- **SBF-N**: turning plate bracket, with brake.
- **FBL-N**: turning plate bracket and centre pass-through hole, without brake.
- **FBF-N**: turning plate bracket and centre pass-through hole, with brake.

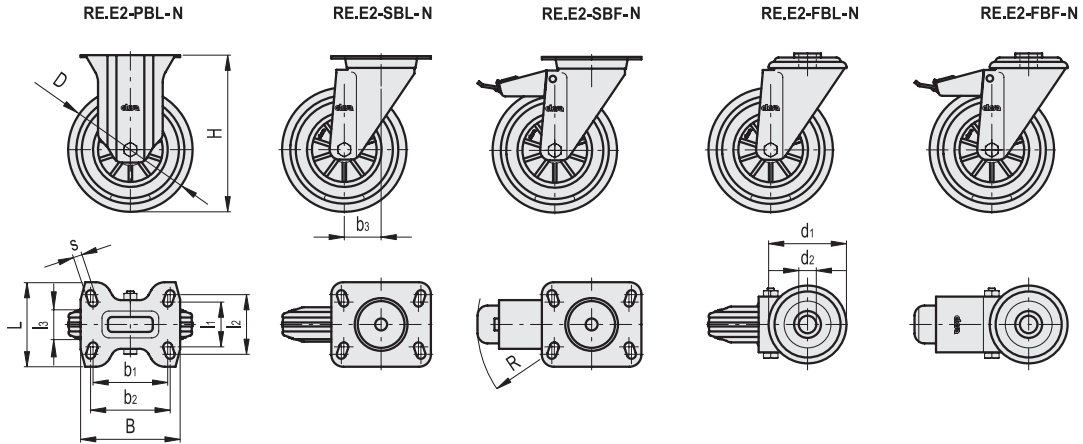
#### APPLICATIONS

RE.E2 wheels may be mounted on different kinds of trolleys, with medium-light loads; it is also suitable for outdoor use.

Typical applications: trolleys for industrial moving, for outdoor use also, waste dumpsters.

For further information see RE.E2 on page 1995.





Code	Description	D	d1	d2	b1	l1	b2	l2	l3	H	B	L	s	b3	R	Rolling resistance# [N]	Dynamic carrying capacity# [N]	⚖️
449651	RE.E2-080-PBL-N	80	-	-	75	45	80	60	25	107	100	85	9	-	-	500	650	360
449656	RE.E2-100-PBL-N	100	-	-	75	45	80	60	30	128	100	85	9	-	-	750	800	480
449661	RE.E2-125-PBL-N	125	-	-	75	45	80	60	37.5	156	100	85	9	-	-	850	1100	710
449666	RE.E2-150-PBL-N	150	-	-	75	45	80	60	40	182	100	85	9	-	-	1000	1300	930
449668	RE.E2-180-PBL-N	180	-	-	105	73	105	85	45	219	140	114	11	-	-	1300	1800	2110
449671	RE.E2-200-PBL-N	200	-	-	105	73	105	85	50	240	140	114	11	-	-	1400	2250	2500
449551	RE.E2-080-SBL-N	80	-	-	75	45	80	60	25	107	100	85	9	39	-	500	650	640
449556	RE.E2-100-SBL-N	100	-	-	75	45	80	60	30	128	100	85	9	35	-	750	800	730
449561	RE.E2-125-SBL-N	125	-	-	75	45	80	60	37.5	156	100	85	9	37	-	850	1100	1060
449566	RE.E2-150-SBL-N	150	-	-	75	45	80	60	40	182	100	85	9	37	-	1000	1300	1310
449568	RE.E2-180-SBL-N	180	-	-	105	73	105	87	45	219	140	110	11	56	-	1300	1800	2400
449571	RE.E2-200-SBL-N	200	-	-	105	73	105	87	50	240	140	110	11	56	-	1400	2250	2720
449601	RE.E2-080-SBF-N	80	-	-	75	45	80	60	25	107	100	85	9	39	120	500	650	820
449606	RE.E2-100-SBF-N	100	-	-	75	45	80	60	30	128	100	85	9	35	120	750	800	880
449611	RE.E2-125-SBF-N	125	-	-	75	45	80	60	37.5	156	100	85	9	37	120	850	1100	1200
449616	RE.E2-150-SBF-N	150	-	-	75	45	80	60	40	182	100	85	9	37	120	1000	1300	1450
449618	RE.E2-180-SBF-N	180	-	-	105	73	105	87	45	219	140	110	11	56	156	1300	1800	2690
449621	RE.E2-200-SBF-N	200	-	-	105	73	105	87	50	240	140	110	11	56	156	1400	2250	3000
449701	RE.E2-080-FBL-N	80	73	12	-	-	-	25	107	-	-	-	39	-	-	500	650	550
449706	RE.E2-100-FBL-N	100	73	12	-	-	-	30	128	-	-	-	35	-	-	750	800	680
449711	RE.E2-125-FBL-N	125	73	12	-	-	-	37.5	156	-	-	-	37	-	-	850	1100	960
449716	RE.E2-150-FBL-N	150	73	12	-	-	-	40	182	-	-	-	37	-	-	1000	1300	1250
449718	RE.E2-180-FBL-N	180	102	20	-	-	-	45	214	-	-	-	56	-	-	1300	1800	2280
449721	RE.E2-200-FBL-N	200	102	20	-	-	-	50	236	-	-	-	56	-	-	1400	2250	2620
449751	RE.E2-080-FBF-N	80	73	12	-	-	-	25	107	-	-	-	39	120	-	500	650	680
449756	RE.E2-100-FBF-N	100	73	12	-	-	-	30	128	-	-	-	35	120	-	750	800	750
449761	RE.E2-125-FBF-N	125	73	12	-	-	-	37.5	156	-	-	-	37	120	-	850	1100	1100
449766	RE.E2-150-FBF-N	150	73	12	-	-	-	40	182	-	-	-	37	120	-	1000	1300	1390
449768	RE.E2-180-FBF-N	180	102	20	-	-	-	45	214	-	-	-	56	156	-	1300	1800	2570
449771	RE.E2-200-FBF-N	200	102	20	-	-	-	50	236	-	-	-	56	156	-	1400	2250	2910

# For rolling resistance and dynamic carrying capacity see Technical Data on page 2014.



## X-ON Electronics

Largest Supplier of Electrical and Electronic Components

*Click to view similar products for [Mounting Fixings](#) category:*

*Click to view products by [Elesa & Ganter](#) manufacturer:*

Other Similar products are found below :

[007310](#) [007541](#) [6-141-P](#) [620HA038NF09](#) [620HA038NF11](#) [71-074914-006](#) [71-146610-6H](#) [712HA170B23128-N](#) [71-441549-19S](#) [71-490451-4H](#) [75-69116-8S](#) [75-69211-3P](#) [75-69224-28P](#) [75-69224-5S](#) [770-006A109](#) [770-006A109R](#) [770-006A207](#) [770-006A208W1](#) [770-006A209](#) [770-006A306](#) [770-006A703W1](#) [770-006A704](#) [770-006A704W1](#) [770-006A705](#) [770-006A706](#) [770-006A706W1](#) [770-006A707](#) [770-006A709](#) [770-007A203](#) [770-007A203W1](#) [770-007A204W1](#) [770-007A207W1](#) [770-007A703](#) [770-007A704W1](#) [770-007A706](#) [770-007A707W1](#) [770-010Y208](#) [770-010Y308](#) [770-010Y705](#) [770-010Y706](#) [770-010Y707W1](#) [770-011T201](#) [770-011T203](#) [770-011T701W1](#) [770-011T702](#) [770-011T702W1](#) [770-011T703](#) [770-013210W1](#) [770-013311](#) [770-013312](#)