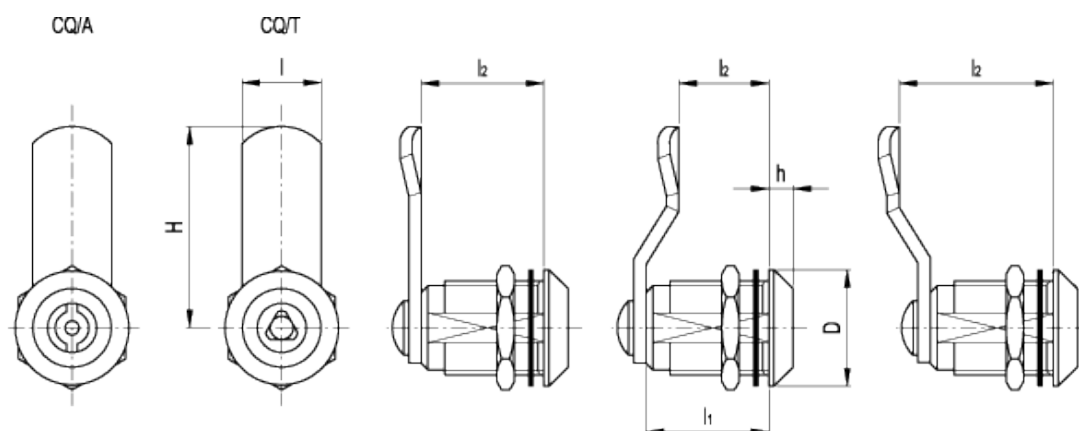


# CQ.

Latches with recessed key



## technical informations

### Stator and rotor

Nickel-plated zinc alloy.

### Nut

Brass (M19x1 or M22x 1.5).

### Shaped closing lever

Zinc-plated steel, thicknesses:

- 2.5 mm (for nut M19x1)
- 3 mm (for nut M22x1.5).

### Spring washer

Zinc-plated steel.

### Sealing washer

- PVC (for nut M19x1)
- SBR rubber (for nut M22x1.5).

### Screw

Zinc-plated steel (M5x8).

### Key

Polyamide based (PA) technopolymer.

### Rotation

90°.

### IP protection

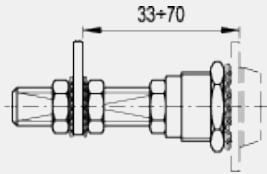
IP 65 protection class, according to [IEC 529 table](#).

### Standard executions available

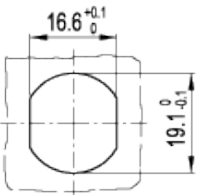
- CQ/A: mark for two-wings key.
- CQ/T: mark for triangular key.

### Special executions and accessories (For sufficient quantities)

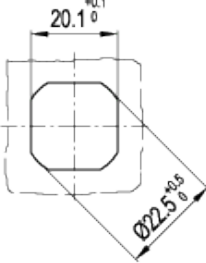
- Closing levers in other dimensions.
- Brass threaded extension for prolonged positioning of the lever (code 421137 description C.PQ M5/58).



Drilling template  
(for stator M19)



Drilling template  
(for stator M22)



Standard Elements				Main dimensions						Weight
Code	Description	Code	Description	H	I <sub>2</sub>	D	h	l	I <sub>1</sub>	g
421301	CQ/A-M19x1-36-20	421341	CQ/T-M19x1-36-20	35.5	20	22	4	16	20	73
421303	CQ/A-M19x1-36-25	421343	CQ/T-M19x1-36-25	35.5	25	22	4	16	20	75
421305	CQ/A-M19x1-36-30	421345	CQ/T-M19x1-36-30	35.5	30	22	4	16	20	79
421307	CQ/A-M19x1-36-35	421347	CQ/T-M19x1-36-35	35.5	35	22	4	16	20	83
421313	CQ/A-M22x1.5-45-16	421353	CQ/T-M22x1.5-45-16	45	16	28	4	20	20	85
421315	CQ/A-M22x1.5-45-18	421355	CQ/T-M22x1.5-45-18	45	18	28	4	20	20	87
421311	CQ/A-M22x1.5-45-20	421351	CQ/T-M22x1.5-45-20	45	20	28	4	20	20	83
421317	CQ/A-M22x1.5-45-24	421357	CQ/T-M22x1.5-45-24	45	24	28	4	20	20	91
421319	CQ/A-M22x1.5-45-28	421359	CQ/T-M22x1.5-45-28	45	28	28	4	20	20	93
421321	CQ/A-M22x1.5-45-30	421361	CQ/T-M22x1.5-45-30	45	30	28	4	20	20	94
421323	CQ/A-M22x1.5-45-32	421363	CQ/T-M22x1.5-45-32	45	32	28	4	20	20	95



ELESA and GANTER models all rights reserved in accordance with the law. Always mention the source when reproducing our drawings.

STANDARD MACHINE ELEMENTS WORLDWIDE

## X-ON Electronics

Largest Supplier of Electrical and Electronic Components

*Click to view similar products for [Latches category](#):*

*Click to view products by [Elesa & Ganter manufacturer](#):*

Other Similar products are found below :

[ML4875CS-5](#) [NLV14043BDR2G](#) [74F373DW](#) [NLV14044BDG](#) [5962-8863901RA](#) [5962-88639012A](#) [M22-30.01-2-D5-2-30/3/45](#) [M22-30.02-4-KW8-2-33/3/45](#) [M22DW-1333-21/3/45-90-07 \(9005\)](#) [GN 115-DK-26](#) [GN 115-SG-24](#) [GN 115-SG-50](#) [GN 115-VDE-22](#) [GN 115-VDE-34](#) [54FCT373ATLB](#) [NLV14043BDG](#) [NLV14515BDWR2G](#) [GN 115.10-DK-10-1-SR](#) [GN 115.10-DK-10-2-SR](#) [SN74HCS574QPWRQ1](#) [RS1G373XC6](#) [RS573XTSS20](#) [RS1G373XH6](#) [SN54ALS573CJ](#) [AiP74HC373SA20.TR](#) [SN74HCS373QPWRQ1](#) [GN573D](#) [AiP74HCT573TA20.TB](#) [ZZ-16-103-01-S](#) [74VHC373FT](#) [74LCX373FT\(AJ\)](#) [74LCX373FT](#) [74VHCT573AFT](#) [SN74HC373N\(XBLW\)](#) [CD4042BE\(LX\)](#) [SN74HC573N\(XBLW\)](#) [SN74HC373PW\(LX\)](#) [SN74HC573NSR\(LX\)](#) [SN74HC573DTR\(XBLW\)](#) [SN74HC373D\(LX\)](#) [SN74HC373NSR\(LX\)](#) [CD4043BE\(XBLW\)](#) [SN74LS373N\(LX\)](#) [CD4042BM\(LX\)](#) [SN74HC573D\(LX\)](#) [SN74HC573PW\(LX\)](#) [SN74LS373DWR\(LX\)](#) [CD4043BE\(LX\)](#) [SN74HC259N\(XBLW\)](#) [SN74HC373DTR\(XBLW\)](#)