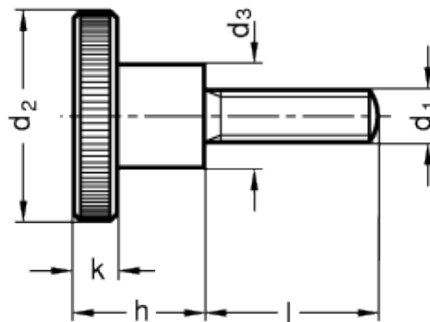


DIN 464-NI

Knurled grip knobs with threaded pin



INOX
Stainless Steel



technical informations

Material

AISI 303 stainless steel, sandblasted matte finish.

Assembly

Threaded pin.

Features and applications

All Stainless Steel-Knurled screws DIN 464 are produced from one piece and threaded over ist full length.

Standard Elements	Main dimensions				Threaded pin		Weight
	Description	d ₁	h	d ₃	k	d ₁	
DIN 464-M3-6-NI	12	7.5	6	3	M3	6	4
DIN 464-M3-10-NI	12	7.5	6	3	M3	10	4
DIN 464-M3-12-NI	12	7.5	6	3	M3	12	4
DIN 464-M3-16-NI	12	7.5	6	3	M3	16	4
DIN 464-M4-8-NI	16	9.5	8	6	M4	8	9
DIN 464-M4-10-NI	16	9.5	8	6	M4	10	9
DIN 464-M4-12-NI	16	9.5	8	6	M4	12	9
DIN 464-M4-16-NI	16	9.5	8	6	M4	16	9
DIN 464-M4-20-NI	16	9.5	8	6	M4	20	9
DIN 464-M4-25-NI	16	9.5	8	6	M4	25	9
DIN 464-M5-10-NI	20	11.5	10	7.5	M5	10	9
DIN 464-M5-12-NI	20	11.5	10	7.5	M5	12	16
DIN 464-M5-16-NI	20	11.5	10	7.5	M5	16	16
DIN 464-M5-20-NI	20	11.5	10	7.5	M5	20	16
DIN 464-M5-25-NI	20	11.5	10	7.5	M5	25	17
DIN 464-M5-30-NI	20	11.5	10	7.5	M5	30	18
DIN 464-M6-12-NI	24	15	12	10	M6	12	29
DIN 464-M6-16-NI	24	15	12	10	M6	16	29
DIN 464-M6-20-NI	24	15	12	10	M6	20	30
DIN 464-M6-25-NI	24	15	12	10	M6	25	31
DIN 464-M6-30-NI	24	15	12	10	M6	30	32
DIN 464-M6-35-NI	24	15	12	10	M6	35	32
DIN 464-M8-16-NI	30	18	16	12	M8	16	56
DIN 464-M8-20-NI	30	18	16	12	M8	20	60
DIN 464-M8-25-NI	30	18	16	12	M8	25	61
DIN 464-M8-30-NI	30	18	16	12	M8	30	61
DIN 464-M8-35-NI	30	18	16	12	M8	35	62



ELESA and GANTER models all rights reserved in accordance with the law. Always mention the source when reproducing our drawings.

STANDARD MACHINE ELEMENTS WORLDWIDE

X-ON Electronics

Largest Supplier of Electrical and Electronic Components

Click to view similar products for [Knobs & Dials](#) category:

Click to view products by [Elesa & Ganter](#) manufacturer:

Other Similar products are found below :

[790-1202](#) [790-2226](#) [8529](#) [8547](#) [85-559](#) [8573](#) [11K5015-EMNB](#) [11K5015-EMNG](#) [1770](#) [P400S-08-D6-N](#) [KNP700A1/4](#) [3045B](#) [AL811BA18](#)
[AR22PY-122B](#) [PKJ50B18](#) [277A](#) [348003](#) [42000B38](#) [5006](#) [56008-001](#) [411](#) [420037B14](#) [WA-102B](#) [WA-103](#) [WA-109B](#) [WA-1550](#) [WA-](#)
[1600-P](#) [WA-2300](#) [WA-4100](#) [WA-4108-P](#) [52-928.20](#) [52-928.9](#) [8517](#) [8529](#) [8545](#) [8572](#) [WA-4104](#) [WA-4103](#) [WA-1202](#) [WA-104B](#) [WA-103B](#)
[WA-102](#) [6126](#) [MS91528-0N1B](#) [7-1437622-0](#) [790-1208](#) [790-1370-MS](#) [8-1437622-6](#) [P209061-001](#) [P675S-06-D6-W](#)