

# DVA.1 DVA.2 DVA.3

Vibration-damping elements



## technical informations

### Base

- DVA: glossy zinc-plated steel.
- DVA-SST: AISI 304 stainless steel.

### Vibration-damping body

Natural rubber NR, hardness 40, 55, 70 tolerance  $\pm 5$  Shore A, black colour.

### Standard executions

- DVA.1: zinc-plated steel threaded studs.
- DVA.1-SST: AISI 304 stainless steel threaded studs.
- DVA.2: threadend stud and boss in glossy zinc-plated steel, threaded blind hole.
- DVA.2-SST: threadend stud and boss in AISI 304 stainless steel, threaded blind hole.
- DVA.3: zinc-plated steel bosses, threaded blind holes.
- DVA.3-SST: AISI 304 stainless steel bosses, threaded blind holes.

### Special executions on request

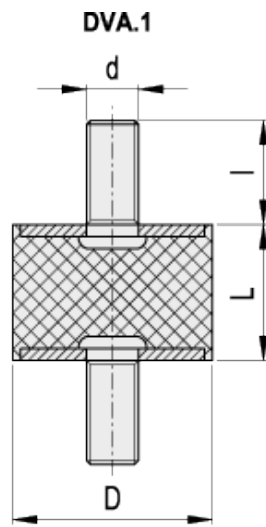
Natural rubber NR, hardness 40, 70 tolerance  $\pm 5$  Shore A for executions with AISI 304 stainless steel base.

### Features and applications

ELESA vibration-damping elements have been designed to damp vibrations, shocks and noises produced by moving bodies or nonbalanced vibrating masses of equipment and machines which can cause:

- malfunctioning and reduction of the machine lifespan and/or of the adjacent ones;
- damage to health;
- noise.

### [Technical data and guidelines for the choice](#)



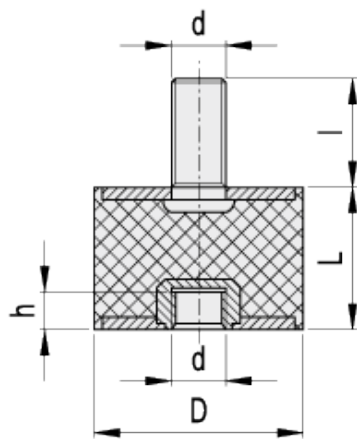
DVA.1 - 8 - 8 - M3 - 6 - 55  
 D L d I Shore A

Standard Elements				Main dimensions	Max load	Max deflection	Stiffness	Weig			
DVA.1		DVA.1-SST									
Code	Description	Code	Description	D	L	d	I	[N]	[mm]	[N/mm]	g
413801	DVA.1-8-8-M3-6-40	-	-	8	8	M3	6	24	1.3	19	4
411101	DVA.1-8-8-M3-6-55	410001	DVA.1-8-8-SST-M3-6-55	8	8	M3	6	70	2	35	4
416501	DVA.1-8-8-M3-6-70	-	-	8	8	M3	6	49	0.6	76	4
413811	DVA.1-10-10-M4-10-40	-	-	10	10	M4	10	37	1.7	22	5
411121	DVA.1-10-10-M4-10-55	410005	DVA.1-10-10-SST-M4-10-55	10	10	M4	10	89	2.5	36	5
416511	DVA.1-10-10-M4-10-70	-	-	10	10	M4	10	77	0.9	88	5
413821	DVA.1-10-15-M4-10-40	-	-	10	15	M4	10	27	2.7	10	6
411131	DVA.1-10-15-M4-10-55	410007	DVA.1-10-15-SST-M4-10-55	10	15	M4	10	60	3.75	16	6
416521	DVA.1-10-15-M4-10-70	-	-	10	15	M4	10	56	1.4	40	6
413831	DVA.1-15-8-M4-10-40	-	-	15	8	M4	10	61	1.1	55	7
411141	DVA.1-15-8-M4-10-55	410011	DVA.1-15-8-SST-M4-10-55	15	8	M4	10	230	1	230	7
416531	DVA.1-15-8-M4-10-70	-	-	15	8	M4	10	126	0.6	220	7
413841	DVA.1-15-10-M4-10-40	-	-	15	10	M4	10	73	1.5	50	8
411151	DVA.1-15-10-M4-10-55	410013	DVA.1-15-10-SST-M4-10-55	15	10	M4	10	198	2.5	79	8
416541	DVA.1-15-10-M4-10-70	-	-	15	10	M4	10	270	1.5	180	8
413851	DVA.1-15-15-M4-10-40	-	-	15	15	M4	10	61	2.1	30	10
411161	DVA.1-15-15-M4-10-55	410015	DVA.1-15-15-SST-M4-10-55	15	15	M4	10	125	3.75	39	10
416551	DVA.1-15-15-M4-10-70	-	-	15	15	M4	10	126	1.1	118	10
413861	DVA.1-15-20-M4-10-40	-	-	15	20	M4	10	61	3.1	20	12
411171	DVA.1-15-20-M4-10-55	410017	DVA.1-15-20-SST-M4-10-55	15	20	M4	10	145	5	25	12
416561	DVA.1-15-20-M4-10-70	-	-	15	20	M4	10	126	1.6	80	12
413871	DVA.1-20-15-M6-18-40	-	-	20	15	M6	18	109	1.6	70	18
411181	DVA.1-20-15-M6-18-55	410021	DVA.1-20-15-SST-M6-18-55	20	15	M6	18	352	3.75	94	18
416571	DVA.1-20-15-M6-18-70	-	-	20	15	M6	18	224	0.8	280	18
413881	DVA.1-20-20-M6-18-40	-	-	20	20	M6	18	95	2.2	42.5	25
411201	DVA.1-20-20-M6-18-55	410023	DVA.1-20-20-SST-M6-18-55	20	20	M6	18	260	5	52	25
416581	DVA.1-20-20-M6-18-70	-	-	20	20	M6	18	196	1.2	170	25
413891	DVA.1-20-25-M6-18-40	-	-	20	25	M6	18	109	3.8	28.5	20
411211	DVA.1-20-25-M6-18-55	410025	DVA.1-20-25-SST-M6-18-55	20	25	M6	18	310	6.25	50	20
416591	DVA.1-20-25-M6-18-70	-	-	20	25	M6	18	224	1.2	114	20

413901	DVA.1-25-15-M6-18-40	-	-	25	15	M6	18	303	2.8	110	28
411221	DVA.1-25-15-M6-18-55	410031	DVA.1-25-15-SST-M6-18-55	25	15	M6	18	687	3.75	183	28
416601	DVA.1-25-15-M6-18-70	-	-	25	15	M6	18	623	1.4	440	28
413911	DVA.1-25-20-M6-18-40	-	-	25	20	M6	18	272	2.9	95	31
411241	DVA.1-25-20-M6-18-55	410033	DVA.1-25-20-SST-M6-18-55	25	20	M6	18	602	5.0	120	31
416611	DVA.1-25-20-M6-18-70	-	-	25	20	M6	18	560	1.5	380	31
413921	DVA.1-25-25-M6-18-40	-	-	25	25	M6	18	265	5.5	45	35
411261	DVA.1-25-25-M6-18-55	410035	DVA.1-25-25-SST-M6-18-55	25	25	M6	18	675	6.25	108	35
416621	DVA.1-25-25-M6-18-70	-	-	25	25	M6	18	455	2.4	190	35
413931	DVA.1-25-30-M6-18-40	-	-	25	30	M6	18	204	5.4	37.5	38
411271	DVA.1-25-30-M6-18-55	410037	DVA.1-25-30-SST-M6-18-55	25	30	M6	18	562	7.5	75	38
416631	DVA.1-25-30-M6-18-70	-	-	25	30	M6	18	420	2.8	150	38
413941	DVA.1-30-15-M8-20-40	-	-	30	15	M8	20	408	1.6	257.5	45
411281	DVA.1-30-15-M8-20-55	410041	DVA.1-30-15-SST-M8-20-55	30	15	M8	20	534	3.75	142	45
416641	DVA.1-30-15-M8-20-70	-	-	30	15	M8	20	840	0.8	1030	45
413951	DVA.1-30-20-M8-20-40	-	-	30	20	M8	20	340	2.1	160	50
411301	DVA.1-30-20-M8-20-55	410043	DVA.1-30-20-SST-M8-20-55	30	20	M8	20	1250	5	250	50
416651	DVA.1-30-20-M8-20-70	-	-	30	20	M8	20	700	1.1	640	50
413961	DVA.1-30-30-M8-20-40	-	-	30	30	M8	20	238	4	60	57
411321	DVA.1-30-30-M8-20-55	410045	DVA.1-30-30-SST-M8-20-55	30	30	M8	20	843	7.5	112	57
416661	DVA.1-30-30-M8-20-70	-	-	30	30	M8	20	490	2	240	57
413971	DVA.1-40-20-M8-23-40	-	-	40	20	M8	23	1300	4	325	80
411331	DVA.1-40-20-M8-23-55	410051	DVA.1-40-20-SST-M8-23-55	40	20	M8	23	1500	5	300	80
416671	DVA.1-40-20-M8-23-70	-	-	40	20	M8	23	2430	3	810	80
413981	DVA.1-40-30-M8-23-40	-	-	40	30	M8	23	544	3.8	145	95
411341	DVA.1-40-30-M8-23-55	410053	DVA.1-40-30-SST-M8-23-55	40	30	M8	23	1527	7.5	204	95
416681	DVA.1-40-30-M8-23-70	-	-	40	30	M8	23	1120	1.9	580	95
413991	DVA.1-40-40-M8-23-40	-	-	40	40	M8	23	469	5.5	85	100
411361	DVA.1-40-40-M8-23-55	410055	DVA.1-40-40-SST-M8-23-55	40	40	M8	23	1620	10	162	100
416691	DVA.1-40-40-M8-23-70	-	-	40	40	M8	23	966	2.8	340	100
414001	DVA.1-50-20-M10-28-40	-	-	50	20	M10	28	1496	2.3	650	130
411381	DVA.1-50-20-M10-28-55	410061	DVA.1-50-20-SST-M10-28-55	50	20	M10	28	3589	5	718	130
416701	DVA.1-50-20-M10-28-70	-	-	50	20	M10	28	3080	1.2	2600	130
414011	DVA.1-50-30-M10-28-40	-	-	50	30	M10	28	884	3.7	240	184
411401	DVA.1-50-30-M10-28-55	410063	DVA.1-50-30-SST-M10-28-55	50	30	M10	28	2570	7.5	343	184
416711	DVA.1-50-30-M10-28-70	-	-	50	30	M10	28	1820	1.9	960	184
414021	DVA.1-50-40-M10-28-40	-	-	50	40	M10	28	816	5.4	150	170
411421	DVA.1-50-40-M10-28-55	410065	DVA.1-50-40-SST-M10-28-55	50	40	M10	28	2436	10	244	170
416721	DVA.1-50-40-M10-28-70	-	-	50	40	M10	28	1680	2.8	600	170
414031	DVA.1-50-45-M10-28-40	-	-	50	45	M10	28	748	6.2	120	180
411441	DVA.1-50-45-M10-28-55	410067	DVA.1-50-45-SST-M10-28-55	50	45	M10	28	2265	11.25	201	180
416731	DVA.1-50-45-M10-28-70	-	-	50	45	M10	28	1540	3.2	480	180
414041	DVA.1-50-50-M10-28-40	-	-	50	50	M10	28	780	6.5	120	195
411446	DVA.1-50-50-M10-28-55	410069	DVA.1-50-50-SST-M10-28-55	50	50	M10	28	2198	12.5	176	195
416741	DVA.1-50-50-M10-28-70	-	-	50	50	M10	28	2880	6	480	195

414051	DVA.1-60-30-M10-28-40	-	-	60	30	M10	28	2400	5	480	211
411451	DVA.1-60-30-M10-28-55	410071	DVA.1-60-30-SST-M10-28-55	60	30	M10	28	3400	7.5	453	211
416751	DVA.1-60-30-M10-28-70	-	-	60	30	M10	28	6620	5	1324	211
414061	DVA.1-60-40-M10-28-40	-	-	60	40	M10	28	1890	7	270	236
411456	DVA.1-60-40-M10-28-55	410073	DVA.1-60-40-SST-M10-28-55	60	40	M10	28	3300	10	330	236
416761	DVA.1-60-40-M10-28-70	-	-	60	40	M10	28	5520	7	789	236
414071	DVA.1-70-45-M10-28-40	-	-	70	45	M10	28	1292	5.4	237.5	38C
411461	DVA.1-70-45-M10-28-55	410077	DVA.1-70-45-SST-M10-28-55	70	45	M10	28	4000	11.25	356	38C
416771	DVA.1-70-45-M10-28-70	-	-	70	45	M10	28	2660	2.8	950	38C
414081	DVA.1-75-25-M12-37-40	-	-	75	25	M12	37	5546	4	1386.5	34E
411471	DVA.1-75-25-M12-37-55	410081	DVA.1-75-25-SST-M12-37-55	75	25	M12	37	11640	5	2330	34E
416781	DVA.1-75-25-M12-37-70	-	-	75	25	M12	37	13840	4	3460	34E
414091	DVA.1-75-40-M12-37-40	-	-	75	40	M12	37	1700	4.5	375	41C
411481	DVA.1-75-40-M12-37-55	410083	DVA.1-75-40-SST-M12-37-55	75	40	M12	37	4500	10	450	41C
416791	DVA.1-75-40-M12-37-70	-	-	75	40	M12	37	3500	2.3	1500	41C
414101	DVA.1-75-55-M12-37-40	-	-	75	55	M12	37	1564	7.3	215	51E
411501	DVA.1-75-55-M12-37-55	410085	DVA.1-75-55-SST-M12-37-55	75	55	M12	37	4400	13.75	320	51E
416801	DVA.1-75-55-M12-37-70	-	-	75	55	M12	37	3220	3.7	860	51E
414111	DVA.1-100-40-M16-41-40	-	-	100	40	M16	41	4692	6.3	750	76E
411521	DVA.1-100-40-M16-41-55	410091	DVA.1-100-40-SST-M16-41-55	100	40	M16	41	18600	10	1860	76E
416811	DVA.1-100-40-M16-41-70	-	-	100	40	M16	41	9660	32	3000	76E
414121	DVA.1-100-55-M16-41-40	-	-	100	55	M16	41	2584	4.9	525	90E
411541	DVA.1-100-55-M16-41-55	410093	DVA.1-100-55-SST-M16-41-55	100	55	M16	41	16500	13.75	1200	90E
416821	DVA.1-100-55-M16-41-70	-	-	100	55	M16	41	12600	6	2100	90E
414131	DVA.1-100-60-M16-41-40	-	-	100	60	M16	41	2580	6.5	400	95C
411561	DVA.1-100-60-M16-41-55	410095	DVA.1-100-60-SST-M16-41-55	100	60	M16	41	12000	15	800	95C
416831	DVA.1-100-60-M16-41-70	-	-	100	60	M16	41	5320	3.3	2100	95C
414141	DVA.1-100-75-M16-41-40	-	-	100	75	M16	41	2380	9	265	109E
411581	DVA.1-100-75-M16-41-55	410097	DVA.1-100-75-SST-M16-41-55	100	75	M16	41	11250	18.75	600	109E
416841	DVA.1-100-75-M16-41-70	-	-	100	75	M16	41	4900	4.6	1060	109E

**DVA.2**



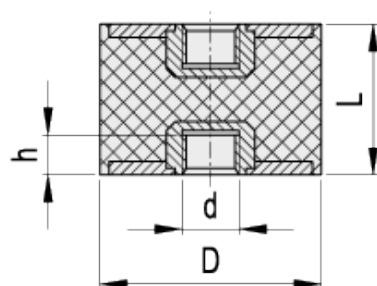
**DVA.2 - 8 - 8 - M3 - 6 - 55**  
 D L d l Shore A

Standard Elements				Main dimensions					Max load	Max deflection	Stiffness	Weight
DVA.2		DVA.2-SST		D	L	d	l	h	[N]	[mm]	[N/mm]	g
Code	Description	Code	Description									
414301	DVA.2-8-8-M3-6-40	-	-	8	8	M3	6	3	24	1.1	22	3
411701	DVA.2-8-8-M3-6-55	410101	DVA.2-8-8-SST-M3-6-55	8	8	M3	6	3	75	2	38	3
417001	DVA.2-8-8-M3-6-70	-	-	8	8	M3	6	3	49	0.6	89	3
414311	DVA.2-10-10-M4-10-40	-	-	10	10	M4	10	4	37	1.6	23	4
411721	DVA.2-10-10-M4-10-55	410105	DVA.2-10-10-SST-M4-10-55	10	10	M4	10	4	90	2.5	36	4
417011	DVA.2-10-10-M4-10-70	-	-	10	10	M4	10	4	77	0.8	92	4
414321	DVA.2-10-15-M4-10-40	-	-	10	15	M4	10	4	27	2.5	11	5
411731	DVA.2-10-15-M4-10-55	410107	DVA.2-10-15-SST-M4-10-55	10	15	M4	10	4	65	3.75	17	5
417021	DVA.2-10-15-M4-10-70	-	-	10	15	M4	10	4	56	1.3	44	5
414331	DVA.2-15-10-M4-10-40	-	-	15	10	M4	10	4	113	1.5	75	6
411741	DVA.2-15-10-M4-10-55	410113	DVA.2-15-10-SST-M4-10-55	15	10	M4	10	4	200	2.5	80	6
417031	DVA.2-15-10-M4-10-70	-	-	15	10	M4	10	4	240	1.1	220	6
414341	DVA.2-15-15-M4-10-40	-	-	15	15	M4	10	4	61	1.7	36	7
411761	DVA.2-15-15-M4-10-55	410115	DVA.2-15-15-SST-M4-10-55	15	15	M4	10	4	130	3.75	35	7
417041	DVA.2-15-15-M4-10-70	-	-	15	15	M4	10	4	126	0.9	146	7
414351	DVA.2-15-20-M4-10-40	-	-	15	20	M4	10	4	61	2.2	27	8
411771	DVA.2-15-20-M4-10-55	410117	DVA.2-15-20-SST-M4-10-55	15	20	M4	10	4	150	5	30	8
417051	DVA.2-15-20-M4-10-70	-	-	15	20	M4	10	4	126	1.1	110	8
414361	DVA.2-20-15-M6-18-40	-	-	20	15	M6	18	6	109	1.3	85	15
411781	DVA.2-20-15-M6-18-55	410121	DVA.2-20-15-SST-M6-18-55	20	15	M6	18	6	355	3.75	95	15
417061	DVA.2-20-15-M6-18-70	-	-	20	15	M6	18	6	224	0.7	340	15
414371	DVA.2-20-20-M6-18-40	-	-	20	20	M6	18	6	95	1.6	60	17
411801	DVA.2-20-20-M6-18-55	410123	DVA.2-20-20-SST-M6-18-55	20	20	M6	18	6	265	5	53	17
417071	DVA.2-20-20-M6-18-70	-	-	20	20	M6	18	6	196	0.8	240	17
414381	DVA.2-20-25-M6-18-40	-	-	20	25	M6	18	6	109	2.9	37	18
411811	DVA.2-20-25-M6-18-55	410125	DVA.2-20-25-SST-M6-18-55	20	25	M6	18	6	315	6.25	50	18
417081	DVA.2-20-25-M6-18-70	-	-	20	25	M6	18	6	224	1.5	150	18
414391	DVA.2-25-15-M6-18-40	-	-	25	15	M6	18	6	303	2.3	131	26
411821	DVA.2-25-15-M6-18-55	410131	DVA.2-25-15-SST-M6-18-55	25	15	M6	18	6	690	3.75	184	26
417091	DVA.2-25-15-M6-18-70	-	-	25	15	M6	18	6	623	1.2	526	26
414401	DVA.2-25-20-M6-18-40	-	-	25	20	M6	18	6	272	3.2	85	28

411841	DVA.2-25-20-M6-18-55	410133	DVA.2-25-20-SST-M6-18-55	25	20	M6	18	6	605	5	121	28
417101	DVA.2-25-20-M6-18-70	-	-	25	20	M6	18	6	560	1.6	340	28
414411	DVA.2-25-30-M6-18-40	-	-	25	30	M6	18	6	204	4.1	50	36
411851	DVA.2-25-30-M6-18-55	410137	DVA.2-25-30-SST-M6-18-55	25	30	M6	18	6	570	7.5	76	36
417111	DVA.2-25-30-M6-18-70	-	-	25	30	M6	18	6	420	2.1	200	36
414421	DVA.2-30-15-M8-20-40	-	-	30	15	M8	20	8	408	0.3	1350	41
411861	DVA.2-30-15-M8-20-55	410141	DVA.2-30-15-SST-M8-20-55	30	15	M8	20	8	535	3.75	143	41
417121	DVA.2-30-15-M8-20-70	-	-	30	15	M8	20	8	840	0.1	5400	41
414431	DVA.2-30-20-M8-20-40	-	-	30	20	M8	20	8	340	2	170	43
411881	DVA.2-30-20-M8-20-55	410143	DVA.2-30-20-SST-M8-20-55	30	20	M8	20	8	1690	4	423	43
417131	DVA.2-30-20-M8-20-70	-	-	30	20	M8	20	8	700	1	680	43
414441	DVA.2-30-30-M8-20-40	-	-	30	30	M8	20	8	238	3.7	65	50
411901	DVA.2-30-30-M8-20-55	410145	DVA.2-30-30-SST-M8-20-55	30	30	M8	20	8	850	7.5	113	50
417141	DVA.2-30-30-M8-20-70	-	-	30	30	M8	20	8	490	1.9	260	50
414451	DVA.2-40-20-M8-23-40	-	-	40	20	M8	23	8	952	1.5	650	73
411911	DVA.2-40-20-M8-23-55	410151	DVA.2-40-20-SST-M8-23-55	40	20	M8	23	8	1510	5	302	73
417151	DVA.2-40-20-M8-23-70	-	-	40	20	M8	23	8	2080	0.8	2600	73
414461	DVA.2-40-30-M8-23-40	-	-	40	30	M8	23	8	544	3.1	175	85
411921	DVA.2-40-30-M8-23-55	410153	DVA.2-40-30-SST-M8-23-55	40	30	M8	23	8	1530	7.5	204	85
417161	DVA.2-40-30-M8-23-70	-	-	40	30	M8	23	8	1120	1.6	700	85
414471	DVA.2-40-40-M8-23-40	-	-	40	40	M8	23	8	469	5.2	90	98
411941	DVA.2-40-40-M8-23-55	410155	DVA.2-40-40-SST-M8-23-55	40	40	M8	23	8	1630	10	163	98
417171	DVA.2-40-40-M8-23-70	-	-	40	40	M8	23	8	966	2.7	360	98
414481	DVA.2-50-20-M10-28-40	-	-	50	20	M10	28	10	1496	1.9	785	115
411961	DVA.2-50-20-M10-28-55	410161	DVA.2-50-20-SST-M10-28-55	50	20	M10	28	10	3600	5	720	115
417181	DVA.2-50-20-M10-28-70	-	-	50	20	M10	28	10	3080	1	3140	115
414491	DVA.2-50-30-M10-28-40	-	-	50	30	M10	28	10	844	3.2	275	135
411981	DVA.2-50-30-M10-28-55	410163	DVA.2-50-30-SST-M10-28-55	50	30	M10	28	10	2575	7.5	343	135
417191	DVA.2-50-30-M10-28-70	-	-	50	30	M10	28	10	1820	1.7	1100	135
414501	DVA.2-50-40-M10-28-40	-	-	50	40	M10	28	10	816	4.9	165	160
412001	DVA.2-50-40-M10-28-55	410165	DVA.2-50-40-SST-M10-28-55	50	40	M10	28	10	2440	10	244	160
417201	DVA.2-50-40-M10-28-70	-	-	50	40	M10	28	10	1680	2.5	660	160
414511	DVA.2-50-45-M10-28-40	-	-	50	45	M10	28	10	748	6.5	115	170
412021	DVA.2-50-45-M10-28-55	410167	DVA.2-50-45-SST-M10-28-55	50	45	M10	28	10	2590	11.25	230	170
417211	DVA.2-50-45-M10-28-70	-	-	50	45	M10	28	10	1540	3.3	460	170
414521	DVA.2-50-50-M10-28-40	-	-	50	50	M10	28	10	684	7.2	95	185
412026	DVA.2-50-50-M10-28-55	410169	DVA.2-50-50-SST-M10-28-55	50	50	M10	28	10	2200	12.5	176	185
417221	DVA.2-50-50-M10-28-70	-	-	50	50	M10	28	10	1400	3.7	380	185
414531	DVA.2-60-30-M10-28-40	-	-	60	30	M10	28	10	2100	4.5	467	195
412031	DVA.2-60-30-M10-28-55	410171	DVA.2-60-30-SST-M10-28-55	60	30	M10	28	10	3400	7.5	453	195
417231	DVA.2-60-30-M10-28-70	-	-	60	30	M10	28	10	5890	4.5	1309	195
414541	DVA.2-60-40-M10-28-40	-	-	60	40	M10	28	10	1600	6	267	220
412036	DVA.2-60-40-M10-28-55	410173	DVA.2-60-40-SST-M10-28-55	60	40	M10	28	10	3330	10	333	220
417241	DVA.2-60-40-M10-28-70	-	-	60	40	M10	28	10	4820	6	803	220
414551	DVA.2-70-45-M10-28-40	-	-	70	45	M10	28	10	1292	5.3	245	372

412041	DVA.2-70-45-M10-28-55	410177	DVA.2-70-45-SST-M10-28-55	70	45	M10	28	10	4000	11.25	356	372
417251	DVA.2-70-45-M10-28-70	-	-	70	45	M10	28	10	2660	2.7	980	372
414561	DVA.2-75-25-M12-37-40	-	-	75	25	M12	37	12	5980	4	1495	321
412051	DVA.2-75-25-M12-37-55	410181	DVA.2-75-25-SST-M12-37-55	75	25	M12	37	12	7000	3	2335	321
417261	DVA.2-75-25-M12-37-70	-	-	75	25	M12	37	12	15900	4	3975	321
414571	DVA.2-75-40-M12-37-40	-	-	75	40	M12	37	12	1700	4.3	400	385
412061	DVA.2-75-40-M12-37-55	410183	DVA.2-75-40-SST-M12-37-55	75	40	M12	37	12	4600	10	460	385
417271	DVA.2-75-40-M12-37-70	-	-	75	40	M12	37	12	3500	2.2	1600	385
414581	DVA.2-75-55-M12-37-40	-	-	75	55	M12	37	12	1564	6.5	240	45C
412081	DVA.2-75-55-M12-37-55	410185	DVA.2-75-55-SST-M12-37-55	75	55	M12	37	12	4510	13.75	328	45C
417281	DVA.2-75-55-M12-37-70	-	-	75	55	M12	37	12	3220	3.4	960	45C
414591	DVA.2-100-40-M16-41-40	-	-	100	40	M16	41	16	4692	5.9	800	74C
412101	DVA.2-100-40-M16-41-55	410191	DVA.2-100-40-SST-M16-41-55	100	40	M16	41	16	22500	10	2250	74C
417291	DVA.2-100-40-M16-41-70	-	-	100	40	M16	41	16	9660	3	3200	74C
414601	DVA.2-100-55-M16-41-40	-	-	100	55	M16	41	16	2584	4.5	575	85C
412121	DVA.2-100-55-M16-41-55	410193	DVA.2-100-55-SST-M16-41-55	100	55	M16	41	16	24060	13.75	1750	85C
417301	DVA.2-100-55-M16-41-70	-	-	100	55	M16	41	16	5320	2.3	2300	85C
414611	DVA.2-100-60-M16-41-40	-	-	100	60	M16	41	16	5954	12	496	865
412141	DVA.2-100-60-M16-41-55	410195	DVA.2-100-60-SST-M16-41-55	100	60	M16	41	16	18000	15	1200	865
417311	DVA.2-100-60-M16-41-70	-	-	100	60	M16	41	16	17800	12	1483	865
414621	DVA.2-100-75-M16-41-40	-	-	100	75	M16	41	16	2380	9	265	98C
412161	DVA.2-100-75-M16-41-55	410197	DVA.2-100-75-SST-M16-41-55	100	75	M16	41	16	15940	18.75	850	98C
417321	DVA.2-100-75-M16-41-70	-	-	100	75	M16	41	16	4900	4.6	1060	98C

### DVA.3



DVA.3 - 8 - 8 - M3 - 55  
 D L d Shore A

Standard Elements				Main dimensions				Max load	Max deflection	Stiffness	Weight
DVA.3		DVA.3-SST		D	L	d	h	[N]	[mm]	[N/mm]	g
Code	Description	Code	Description								
414801	DVA.3-8-8-M3-40	-	-	8	8	M3	3	38	1.1	35	2
412301	DVA.3-8-8-M3-55	410201	DVA.3-8-8-SST-M3-55	8	8	M3	3	75	2	38	2
417501	DVA.3-8-8-M3-70	-	-	8	8	M3	3	87	0.6	145	2
414811	DVA.3-10-10-M4-40	-	-	10	10	M4	4	37	1.4	26	3

412321	DVA.3-10-10-M4-55	410205	DVA.3-10-10-SST-M4-55	10	10	M4	4	90	2.5	36	3
417511	DVA.3-10-10-M4-70	-	-	10	10	M4	4	77	0.7	106	3
414821	DVA.3-10-15-M4-40	-	-	10	15	M4	4	27	2.2	12	4
412326	DVA.3-10-15-M4-55	410207	DVA.3-10-15-SST-M4-55	10	15	M4	4	65	3.75	17	4
417521	DVA.3-10-15-M4-70	-	-	10	15	M4	4	56	1.1	50	4
414831	DVA.3-15-10-M4-40	-	-	15	10	M4	4	960	0.4	900	5
412331	DVA.3-15-10-M4-55	410213	DVA.3-15-10-SST-M4-55	15	10	M4	4	200	2.5	80	5
417531	DVA.3-15-10-M4-70	-	-	15	10	M4	4	44	0.4	1100	5
414841	DVA.3-15-15-M4-40	-	-	15	15	M4	4	61	1.6	39	6
412341	DVA.3-15-15-M4-55	410215	DVA.3-15-15-SST-M4-55	15	15	M4	4	135	3.75	36	6
417541	DVA.3-15-15-M4-70	-	-	15	15	M4	4	126	0.8	156	6
414851	DVA.3-15-20-M4-40	-	-	15	20	M4	4	61	1.4	42	8
412346	DVA.3-15-20-M4-55	410217	DVA.3-15-20-SST-M4-55	15	20	M4	4	152	5	30	8
417551	DVA.3-15-20-M4-70	-	-	15	20	M4	4	126	0.7	170	8
414861	DVA.3-20-15-M6-40	-	-	20	15	M6	6	109	0.1	900	13
412351	DVA.3-20-15-M6-55	410221	DVA.3-20-15-SST-M6-55	20	15	M6	6	355	3.75	95	13
417561	DVA.3-20-15-M6-70	-	-	20	15	M6	6	224	0.1	3600	13
414871	DVA.3-20-20-M6-40	-	-	20	20	M6	6	95	2	47	16
412361	DVA.3-20-20-M6-55	410223	DVA.3-20-20-SST-M6-55	20	20	M6	6	267	5	53	16
417571	DVA.3-20-20-M6-70	-	-	20	20	M6	6	196	1	190	16
414881	DVA.3-20-25-M6-40	-	-	20	25	M6	6	109	2.7	40	19
412371	DVA.3-20-25-M6-55	410225	DVA.3-20-25-SST-M6-55	20	25	M6	6	315	6.25	50	19
417581	DVA.3-20-25-M6-70	-	-	20	25	M6	6	224	1.4	160	19
414891	DVA.3-25-20-M6-40	-	-	25	20	M6	6	272	3	90	26
412381	DVA.3-25-20-M6-55	410231	DVA.3-25-20-SST-M6-55	25	20	M6	6	605	5	121	26
417591	DVA.3-25-20-M6-70	-	-	25	20	M6	6	560	1.6	360	26
414901	DVA.3-25-25-M6-40	-	-	25	25	M6	6	221	4.5	49	29
412386	DVA.3-25-25-M6-55	410233	DVA.3-25-25-SST-M6-55	25	25	M6	6	530	6.25	85	29
417601	DVA.3-25-25-M6-70	-	-	25	25	M6	6	455	2.3	196	29
414911	DVA.3-25-30-M6-40	-	-	25	30	M6	6	190	5	38	25
412391	DVA.3-25-30-M6-55	410237	DVA.3-25-30-SST-M6-55	25	30	M6	6	575	7.5	77	25
417611	DVA.3-25-30-M6-70	-	-	25	30	M6	6	450	3	150	25
414921	DVA.3-30-20-M8-40	-	-	30	20	M8	8	-	-	-	39
412401	DVA.3-30-20-M8-55	410241	DVA.3-30-20-SST-M8-55	30	20	M8	8	2050	5	410	39
417621	VA.3-30-20-M8-70	-	-	30	20	M8	8	2422	1.03	2351	39
414931	DVA.3-30-30-M8-40	-	-	30	30	M8	8	238	6	75	45
412421	DVA.3-30-30-M8-55	410243	DVA.3-30-30-SST-M8-55	30	30	M8	8	855	7.5	114	45
417631	DVA.3-30-30-M8-70	-	-	30	30	M8	8	490	1.6	300	45
414941	DVA.3-30-40-M8-40	-	-	30	40	M8	8	390	6	65	53
412431	DVA.3-30-40-M8-55	410245	DVA.3-30-40-SST-M8-55	30	40	M8	8	757	10	76	53
417641	DVA.3-30-40-M8-70	-	-	30	40	M8	8	1080	4	270	53
414951	DVA.3-40-30-M8-40	-	-	40	30	M8	8	544	2.4	225	80
412441	DVA.3-40-30-M8-55	410253	DVA.3-40-30-SST-M8-55	40	30	M8	8	1535	7.5	205	80
417651	DVA.3-40-30-M8-70	-	-	40	30	M8	8	1120	1.2	900	80
414961	DVA.3-40-40-M8-40	-	-	40	40	M8	8	469	4.5	105	98



412461	DVA.3-40-40-M8-55	410255	DVA.3-40-40-SST-M8-55	40	40	M8	8	1635	10	164	98
417661	DVA.3-40-40-M8-70	-	-	40	40	M8	8	966	2.3	420	98
414971	DVA.3-50-30-M10-40	-	-	50	30	M10	10	884	2.9	300	125
412463	DVA.3-50-30-M10-55	410263	DVA.3-50-30-SST-M10-55	50	30	M10	10	2570	7.5	343	125
417671	DVA.3-50-30-M10-70	-	-	50	30	M10	10	1820	1.5	1200	125
414981	DVA.3-50-40-M10-40	-	-	50	40	M10	10	816	4.4	185	150
412466	DVA.3-50-40-M10-55	410265	DVA.3-50-40-SST-M10-55	50	40	M10	10	2445	10	245	150
417681	DVA.3-50-40-M10-70	-	-	50	40	M10	10	1680	2.3	740	150
414991	DVA.3-50-50-M10-40	-	-	50	50	M10	10	683	6.5	105	125
412469	DVA.3-50-50-M10-55	410269	DVA.3-50-50-SST-M10-55	50	50	M10	10	2225	12.5	178	125
417691	DVA.3-50-50-M10-70	-	-	50	50	M10	10	2520	6	420	125
415001	DVA.3-60-30-M10-40	-	-	60	30	M10	10	1370	3	457	189
412471	DVA.3-60-30-M10-55	410271	DVA.3-60-30-SST-M10-55	60	30	M10	10	3400	7.5	453	189
417701	DVA.3-60-30-M10-70	-	-	60	30	M10	10	4170	3	1390	189
415011	DVA.3-60-40-M10-40	-	-	60	40	M10	10	1220	4.5	271	220
412476	DVA.3-60-40-M10-55	410273	DVA.3-60-40-SST-M10-55	60	40	M10	10	3300	10	330	220
417711	DVA.3-60-40-M10-70	-	-	60	40	M10	10	3820	4.5	849	220
415021	DVA.3-70-45-M10-40	-	-	70	45	M10	10	1292	3.4	375	335
412481	DVA.3-70-45-M10-55	410277	DVA.3-70-45-SST-M10-55	70	45	M10	10	4000	11.25	356	335
417721	DVA.3-70-45-M10-70	-	-	70	45	M10	10	2660	1.8	1500	335
415031	DVA.3-75-40-M12-40	-	-	75	40	M12	12	1700	3.1	550	360
412501	DVA.3-75-40-M12-55	410283	DVA.3-75-40-SST-M12-55	75	40	M12	12	4650	10	465	360
417731	DVA.3-75-40-M12-70	-	-	75	40	M12	12	3500	1.6	2200	360
415041	DVA.3-75-55-M12-40	-	-	75	55	M12	12	1564	6.3	250	445
412521	DVA.3-75-55-M12-55	410285	DVA.3-75-55-SST-M12-55	75	55	M12	12	4500	13.75	327	445
417741	DVA.3-75-55-M12-70	-	-	75	55	M12	12	3220	3.2	1000	445
415051	DVA.3-100-40-M16-40	-	-	100	40	M16	16	4692	5.2	900	690
412541	DVA.3-100-40-M16-55	410291	DVA.3-100-40-SST-M16-55	100	40	M16	16	22500	10	2250	690
417751	DVA.3-100-40-M16-70	-	-	100	40	M16	16	9660	2.7	3600	690
415061	DVA.3-100-55-M16-40	-	-	100	55	M16	16	2584	4.3	600	765
412551	DVA.3-100-55-M16-55	410293	DVA.3-100-55-SST-M16-55	100	55	M16	16	24060	13.75	1750	765
417761	DVA.3-100-55-M16-70	-	-	100	55	M16	16	5320	2.2	2400	765
415071	DVA.3-100-60-M16-40	-	-	100	60	M16	16	2584	5.2	500	885
412561	DVA.3-100-60-M16-55	410295	DVA.3-100-60-SST-M16-55	100	60	M16	16	18000	15	1200	885
417771	DVA.3-100-60-M16-70	-	-	100	60	M16	16	5320	2.7	2000	885
415081	DVA.3-100-75-M16-40	-	-	100	75	M16	16	2380	9	265	965
412581	DVA.3-100-75-M16-55	410297	DVA.3-100-75-SST-M16-55	100	75	M16	16	15940	18.75	850	965
417781	DVA.3-100-75-M16-70	-	-	100	75	M16	16	4900	4.6	1060	965



ELESA and GANTER models all rights reserved in accordance with the law. Always mention the source when reproducing our drawings.



## X-ON Electronics

Largest Supplier of Electrical and Electronic Components

*Click to view similar products for [Elesa & Ganter](#) manufacturer:*

Other Similar products are found below :

[11353](#) [13651](#) [13681](#) [13711](#) [13721](#) [13726](#) [13731](#) [137901](#) [141131](#) [141141](#) [141221](#) [141311](#) [141331](#) [141335](#) [141341](#) [141421](#) [141471](#)  
[141511](#) [141531](#) [141541](#) [141561](#) [142121](#) [142211](#) [142231](#) [142351](#) [220416-C1](#) [221206-C1](#) [221206-C2](#) [221206-C3](#) [221206-C4](#) [221206-C5](#)  
[221206-C6](#) [221221-C1](#) [221221-C2](#) [221221-C3](#) [221221-C4](#) [221221-C5](#) [221221-C6](#) [221226-C1](#) [221406-C1](#) [221406-C3](#) [221426-C1](#) [221436-](#)  
[C1](#) [221631-C1](#) [221641-C1](#) [222221-C1](#) [222221-C2](#) [222221-C3](#) [222221-C4](#) [222221-C5](#)