

# ERX.

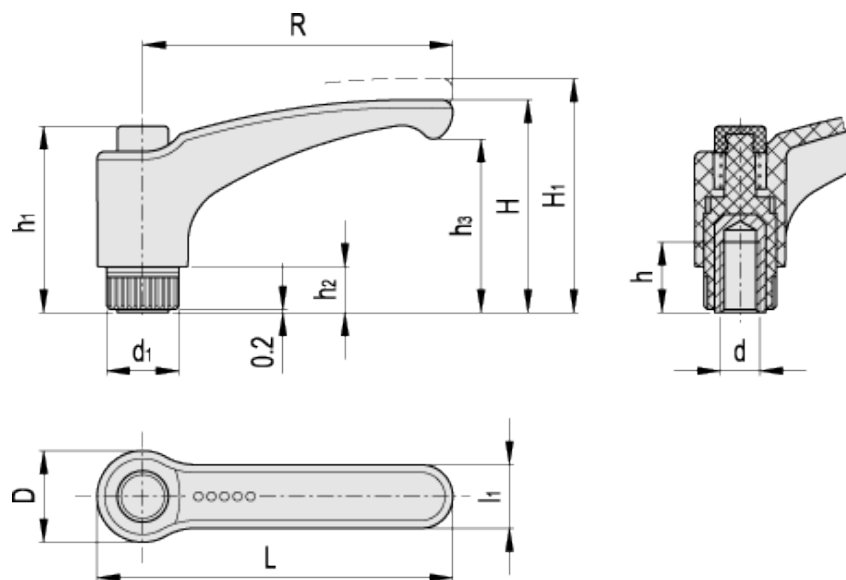
Adjustable handles



ELESA Original design



ERGOSTYLE®



## technical informations

### Lever body

Glass-fibre reinforced polyamide based (PA) technopolymer. Resistant to solvents, oils, greases and other chemical agents.

### Colour

Grey-black, matte finish.

### Push button

Technopolymer in Ergostyle colours, glossy finish.

### Standard execution

Glass-fibre reinforced technopolymer clamping element with retaining pin, black colour, with knurling on the protruding part to

make initial tightening easier. AISI 302 stainless steel return spring.  
Brass boss, threaded blind hole.

### Other executions on request

Lever body in orange (C2) with black push button (C1).  
Example: code 233061-C2-C1 description ERX.30-C2-B-M3-C1.



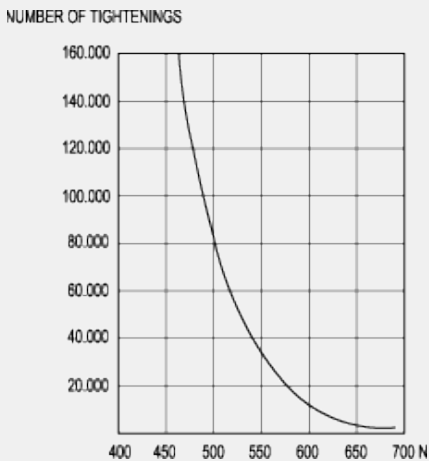
### Features and applications

Particularly suitable when the lever turning angle is limited owing to lack of space.  
Compared to other types of adjustable handles with metal retaining screw this solution offers:

- absolute electric insulation for the operator's hand
- no visible steel parts subject to rust
- more comfortable lever release.

### Stress resistance

Adjustable handles are generally used for repetitive clamping operations sometimes with very high-frequency.  
Therefore, the stress resistance (i.e. the resistance to repeated tightening cycles) of the handle unit is particularly important and, especially, the strength of the toothed element which transmits the tightening force from the handle to the threaded element (boss or stud).  
In fact, the results of several laboratory tests, performed with a special instrument that simulates the most severe use conditions, have shown that e.g. ERX.78 adjustable handle can withstand without yielding more than 100,000 tightening cycles, under the action of a force of 490 N (see graphic).  
The special glass-fibre reinforced technopolymer enables the ELESA adjustable handles to guarantee stress resistance values which are much higher than the ones generated under normal working conditions.



### Instructions of use

For clamping, lift the lever to disengage the clamping device toothing and bring it back to start position. By releasing the lever, the return spring automatically engages the teeth.



\* Complete with colour index, example: 233061-C2 ERX.30 B-M3-C2

**C1** RAL7021   **C2** RAL2004   **C3** RAL7035   **C4** RAL1021   **C5** RAL5024   **C6** RAL3000

Standard Elements

Main dimensions

Mounting hole

Teeth no.

Weight

Code	Description	R	L	D	H	H <sub>1</sub>	h <sub>1</sub>	h <sub>2</sub>	h <sub>3</sub>	d <sub>1</sub>	l <sub>1</sub>	d <sub>6H</sub>	h	z	g
233061-*	ERX.30 B-M3-*	30	37.5	15.5	30	33.5	29.5	6	23	12	9	M3	10	18	8
233066-*	ERX.30 B-M4-*	30	37.5	15.5	30	33.5	29.5	6	23	12	9	M4	10	18	8
233071-*	ERX.30 B-M5-*	30	37.5	15.5	30	33.5	29.5	6	23	12	9	M5	10	18	7
233076-*	ERX.30 B-M6-*	30	37.5	15.5	30	33.5	29.5	6	23	12	9	M6	10	18	6
233101-*	ERX.44 B-M5-*	44	52	15.5	32.5	36	29.5	6	25	12	11	M5	10	18	10
233106-*	ERX.44 B-M6-*	44	52	15.5	32.5	36	29.5	6	25	12	11	M6	10	18	10
233131-*	ERX.63 B-M6-*	63	73.5	19	43	47	37.5	8	34.5	15	13.5	M6	16	20	21
233136-*	ERX.63 B-M8-*	63	73.5	19	43	47	37.5	8	34.5	15	13.5	M8	13	20	20
233151-*	ERX.78 B-M8-*	78	90.5	24.5	54	58	47	12	44	19	16	M8	20	24	46
233156-*	ERX.78 B-M10-*	78	90.5	24.5	54	58	47	12	44	19	16	M10	18	24	44
233161-*	ERX.78 B-M12-*	78	90.5	24.5	54	58	47	12	44	19	16	M12	17	24	43
233171-*	ERX.95 B-M10-*	95	109	26.5	64.5	69	54.5	13	53	21.5	18	M10	20	26	52
233176-*	ERX.95 B-M12-*	95	109	26.5	64.5	69	54.5	13	53	21.5	18	M12	20	26	51
233181-*	ERX.95 B-M14-*	95	109	26.5	64.5	69	54.5	13	53	21.5	18	M14	20	26	50
233211-*	ERX.108 B-M12-*	108	123	30	65.5	70	54.5	11	52.5	25	20	M12	20	28	60
233216-*	ERX.108 B-M14-*	108	123	30	65.5	70	54.5	11	52.5	25	20	M14	20	28	59
233221-*	ERX.108 B-M16-*	108	123	30	65.5	70	54.5	11	52.5	25	20	M16	22	28	58

This product had the following design awards:



ELESA and GANTER models all rights reserved in accordance with the law. Always mention the source when reproducing our drawings.

STANDARD MACHINE ELEMENTS WORLDWIDE

## X-ON Electronics

Largest Supplier of Electrical and Electronic Components

*Click to view similar products for [Other Tools](#) category:*

*Click to view products by [Elesa & Ganter](#) manufacturer:*

Other Similar products are found below :

[CR-0AFL4--332K](#) [568681-1](#) [5800-0090](#) [58061-1](#) [59065-5](#) [59085](#) [00-8273-RDPP](#) [00-8729-WHPP](#) [593033](#) [593072](#) [593564100](#) [593575](#)  
[593593](#) [011349-000](#) [CRCW08052740FRT1](#) [LUC-018S070DSP](#) [LUC-024S105DSP](#) [599-2021-3-NME](#) [599-JJ-2021-03](#) [00-5080-YWPP](#) [00-](#)  
[9089-RDPP](#) [00-9300-RDPP](#) [CRCW2010331JR02](#) [601-JJ-06](#) [601-SPB](#) [601YSY](#) [602-JJ-03](#) [602SPB](#) [603-JJ-07-FP](#) [603-JJY-04](#) [M15570-25](#)  
[CRTN1013](#) [CS16](#) [6-1579014-0](#) [6203](#) [62200-5709](#) [6240-1](#) [M43435 TY 2 SZ 3 FIN B BLK](#) [M43435 TY 5 SZ 3 FIN C NAT](#) [M-5Z](#) [M6816](#)  
[M7298](#) [M7456](#) [M7976](#) [660-29ABT1](#) [662508-1](#) [CVHD-950X-93.333](#) [CW104-01X](#) [671-GP-04-KT39-73207](#) [CW307-01A](#)