

# ERX.p

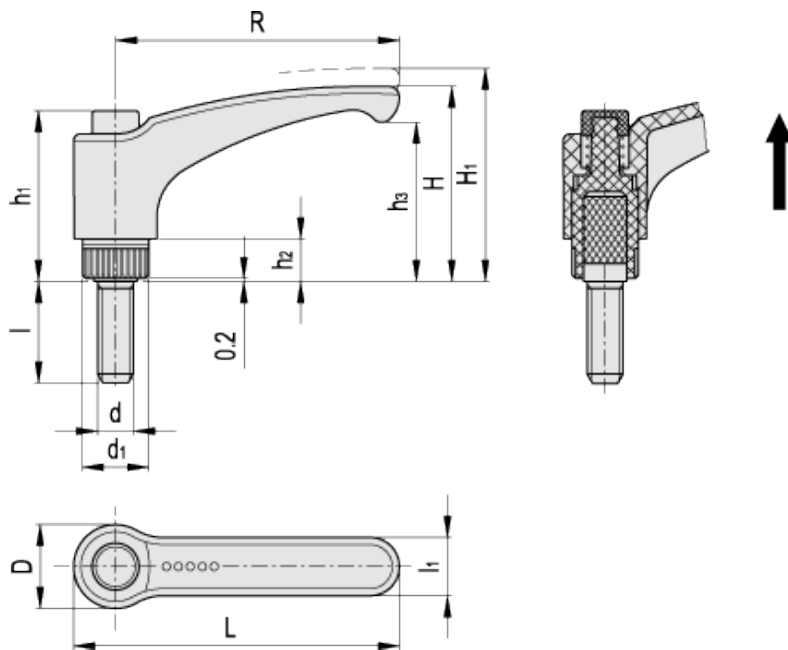
Adjustable handles



ELESA Original design



ERGOSTYLE®



## technical informations

### Lever body

Glass-fibre reinforced polyamide based (PA) technopolymer. Resistant to solvents, oils, greases and other chemical agents.

### Colour

Grey-black, matte finish.

### Push button

Technopolymer in Ergostyle colours, glossy finish.

### Standard execution

Glass-fibre reinforced technopolymer, black colour, with knurling on the protruding part to make initial tightening easier. AISI 302 stainless steel return spring.  
 Zinc-plated steel threaded stud, chamfered flat end according to UNI 947 : ISO 4753 (see [Technical Data](#) ).

*Other executions available on request*

Lever body in orange (C2) with black push button (C1).  
 Example: code 234001-C2-C1 description ERX.30-C2-p-M5x10-C1.



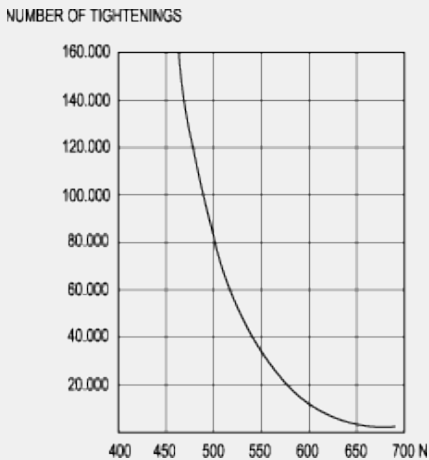
*Features and applications*

Particularly suitable when the lever turning angle is limited owing to lack of space.  
 Compared to other types of adjustable handles with metal retaining screw this solution offers:

- absolute electric insulation for the operator's hand
- no visible steel parts subject to rust
- more comfortable lever release.

*Stress resistance*

Adjustable handles are generally used for repetitive clamping operations sometimes with very high-frequency.  
 Therefore, the stress resistance (i.e. the resistance to repeated tightening cycles) of the handle unit is particularly important and, especially, the strength of the toothed element which transmits the tightening force from the handle to the threaded element (boss or stud).  
 In fact, the results of several laboratory tests, performed with a special instrument that simulates the most severe use conditions, have shown that e.g. ERX.78 p adjustable handle can withstand without yielding more than 100,000 tightening cycles, under the action of a force of 490 N (see graphic).  
 The special glass-fibre reinforced technopolymer enables the ELESA adjustable handles to guarantee stress resistance values which are much higher than the ones generated under normal working conditions.



*Instructions of use*

For clamping, lift the lever to disengage the clamping device toothing and bring it back to start position. By releasing the lever, the return spring automatically engages the teeth.



\* Complete with colour index, example: 234001-C2 ERX.30 p-M5x10-C2

- C1  
RAL7021
- C2  
RAL2004
- C3  
RAL7035
- C4  
RAL1021
- C5  
RAL5024
- C6  
RAL3000

Standard Elements

Main dimensions

Threaded stud

Teeth no.

Weight

Code	Description	R	L	D	H	H <sub>1</sub>	h <sub>1</sub>	h <sub>2</sub>	h <sub>3</sub>	d <sub>1</sub>	l <sub>1</sub>	d <sub>6g</sub>	l	z	g
234001-*	ERX.30 p-M5x10-*	30	37.5	15.5	30	33.5	29.5	6	23	12	9	M5	10	18	6
234006-*	ERX.30 p-M5x16-*	30	37.5	15.5	30	33.5	29.5	6	23	12	9	M5	16	18	6
234011-*	ERX.30 p-M5x20-*	30	37.5	15.5	30	33.5	29.5	6	23	12	9	M5	20	18	7
234016-*	ERX.30 p-M6x10-*	30	37.5	15.5	30	33.5	29.5	6	23	12	9	M6	10	18	8
234021-*	ERX.30 p-M6x16-*	30	37.5	15.5	30	33.5	29.5	6	23	12	9	M6	16	18	9
234026-*	ERX.30 p-M6x20-*	30	37.5	15.5	30	33.5	29.5	6	23	12	9	M6	20	18	10
234031-*	ERX.30 p-M6x25-*	30	37.5	15.5	30	33.5	29.5	6	23	12	9	M6	25	18	11
234036-*	ERX.30 p-M6x30-*	30	37.5	15.5	30	33.5	29.5	6	23	12	9	M6	30	18	12
234046-*	ERX.30 p-M6x40-*	30	37.5	15.5	30	33.5	29.5	6	23	12	9	M6	40	18	14
234101-*	ERX.44 p-M5x10-*	44	52	15.5	32.5	36	29.5	6	25	12	11	M5	10	18	11
234106-*	ERX.44 p-M5x16-*	44	52	15.5	32.5	36	29.5	6	25	12	11	M5	16	18	12
234111-*	ERX.44 p-M5x20-*	44	52	15.5	32.5	36	29.5	6	25	12	11	M5	20	18	13
234116-*	ERX.44 p-M6x10-*	44	52	15.5	32.5	36	29.5	6	25	12	11	M6	10	18	13
234121-*	ERX.44 p-M6x16-*	44	52	15.5	32.5	36	29.5	6	25	12	11	M6	16	18	14
234126-*	ERX.44 p-M6x20-*	44	52	15.5	32.5	36	29.5	6	25	12	11	M6	20	18	15
234131-*	ERX.44 p-M6x25-*	44	52	15.5	32.5	36	29.5	6	25	12	11	M6	25	18	16
234136-*	ERX.44 p-M6x30-*	44	52	15.5	32.5	36	29.5	6	25	12	11	M6	30	18	17
234146-*	ERX.44 p-M6x40-*	44	52	15.5	32.5	36	29.5	6	25	12	11	M6	40	18	19
234151-*	ERX.44 p-M6x45-*	44	52	15.5	32.5	36	29.5	6	25	12	11	M6	45	18	20
234301-*	ERX.63 p-M6x10-*	63	73.5	19	43	47	37.5	8	34.5	15	13.5	M6	10	20	28
234306-*	ERX.63 p-M6x16-*	63	73.5	19	43	47	37.5	8	34.5	15	13.5	M6	16	20	29
234311-*	ERX.63 p-M6x20-*	63	73.5	19	43	47	37.5	8	34.5	15	13.5	M6	20	20	30
234316-*	ERX.63 p-M6x25-*	63	73.5	19	43	47	37.5	8	34.5	15	13.5	M6	25	20	31
234321-*	ERX.63 p-M6x30-*	63	73.5	19	43	47	37.5	8	34.5	15	13.5	M6	30	20	32
234323-*	ERX.63 p-M6x35-*	63	73.5	19	43	47	37.5	8	34.5	15	13.5	M6	35	20	32
234326-*	ERX.63 p-M6x40-*	63	73.5	19	43	47	37.5	8	34.5	15	13.5	M6	40	20	32
234329-*	ERX.63 p-M6x50-*	63	73.5	19	43	47	37.5	8	34.5	15	13.5	M6	50	20	32
234333-*	ERX.63 p-M8x16-*	63	73.5	19	43	47	37.5	8	34.5	15	13.5	M8	16	20	32
234336-*	ERX.63 p-M8x20-*	63	73.5	19	43	47	37.5	8	34.5	15	13.5	M8	20	20	32
234341-*	ERX.63 p-M8x25-*	63	73.5	19	43	47	37.5	8	34.5	15	13.5	M8	25	20	34
234346-*	ERX.63 p-M8x30-*	63	73.5	19	43	47	37.5	8	34.5	15	13.5	M8	30	20	36
234351-*	ERX.63 p-M8x35-*	63	73.5	19	43	47	37.5	8	34.5	15	13.5	M8	35	20	38
234356-*	ERX.63 p-M8x40-*	63	73.5	19	43	47	37.5	8	34.5	15	13.5	M8	40	20	40
234361-*	ERX.63 p-M8x45-*	63	73.5	19	43	47	37.5	8	34.5	15	13.5	M8	45	20	41
234366-*	ERX.63 p-M8x50-*	63	73.5	19	43	47	37.5	8	34.5	15	13.5	M8	50	20	43
234371-*	ERX.63 p-M8x60-*	63	73.5	19	43	47	37.5	8	34.5	15	13.5	M8	60	20	46
234376-*	ERX.63 p-M8x70-*	63	73.5	19	43	47	37.5	8	34.5	15	13.5	M8	70	20	50
234381-*	ERX.63 p-M10x20-*	63	73.5	19	43	47	37.5	8	34.5	15	13.5	M10	20	20	40
234383-*	ERX.63 p-M10x40-*	63	73.5	19	43	47	37.5	8	34.5	15	13.5	M10	40	20	46
234385-*	ERX.63 p-M10x50-*	63	73.5	19	43	47	37.5	8	34.5	15	13.5	M10	50	20	50
234387-*	ERX.63 p-M10x60-*	63	73.5	19	43	47	37.5	8	34.5	15	13.5	M10	60	20	54
234498-*	ERX.78 p-M8x20-*	78	90.5	24.5	54	58	47	12	44	19	16	M8	20	24	42
234501-*	ERX.78 p-M8x25-*	78	90.5	24.5	54	58	47	12	44	19	16	M8	25	24	43

234503-*	ERX.78 p-M8x30-*	78	90.5	24.5	54	58	47	12	44	19	16	M8	30	24	44
234506-*	ERX.78 p-M8x40-*	78	90.5	24.5	54	58	47	12	44	19	16	M8	40	24	48
234507-*	ERX.78 p-M8x45-*	78	90.5	24.5	54	58	47	12	44	19	16	M8	45	24	50
234509-*	ERX.78 p-M8x50-*	78	90.5	24.5	54	58	47	12	44	19	16	M8	50	24	52
234511-*	ERX.78 p-M8x55-*	78	90.5	24.5	54	58	47	12	44	19	16	M8	55	24	55
234513-*	ERX.78 p-M8x60-*	78	90.5	24.5	54	58	47	12	44	19	16	M8	60	24	57
234515-*	ERX.78 p-M8x70-*	78	90.5	24.5	54	58	47	12	44	19	16	M8	70	24	60
234516-*	ERX.78 p-M10x20-*	78	90.5	24.5	54	58	47	12	44	19	16	M10	20	24	58
234521-*	ERX.78 p-M10x25-*	78	90.5	24.5	54	58	47	12	44	19	16	M10	25	24	61
234526-*	ERX.78 p-M10x30-*	78	90.5	24.5	54	58	47	12	44	19	16	M10	30	24	64
234531-*	ERX.78 p-M10x35-*	78	90.5	24.5	54	58	47	12	44	19	16	M10	35	24	67
234536-*	ERX.78 p-M10x40-*	78	90.5	24.5	54	58	47	12	44	19	16	M10	40	24	70
234541-*	ERX.78 p-M10x50-*	78	90.5	24.5	54	58	47	12	44	19	16	M10	50	24	76
234546-*	ERX.78 p-M10x60-*	78	90.5	24.5	54	58	47	12	44	19	16	M10	60	24	82
234551-*	ERX.78 p-M10x70-*	78	90.5	24.5	54	58	47	12	44	19	16	M10	70	24	88
234561-*	ERX.78 p-M12x20-*	78	90.5	24.5	54	58	47	12	44	19	16	M12	20	24	70
234566-*	ERX.78 p-M12x25-*	78	90.5	24.5	54	58	47	12	44	19	16	M12	25	24	71
234571-*	ERX.78 p-M12x30-*	78	90.5	24.5	54	58	47	12	44	19	16	M12	30	24	74
234573-*	ERX.78 p-M12x35-*	78	90.5	24.5	54	58	47	12	44	19	16	M12	35	24	75
234576-*	ERX.78 p-M12x40-*	78	90.5	24.5	54	58	47	12	44	19	16	M12	40	24	76
234581-*	ERX.78 p-M12x45-*	78	90.5	24.5	54	58	47	12	44	19	16	M12	45	24	77
234586-*	ERX.78 p-M12x50-*	78	90.5	24.5	54	58	47	12	44	19	16	M12	50	24	78
234591-*	ERX.78 p-M12x60-*	78	90.5	24.5	54	58	47	12	44	19	16	M12	60	24	81
234593-*	ERX.78 p-M12x70-*	78	90.5	24.5	54	58	47	12	44	19	16	M12	70	24	84
234596-*	ERX.78 p-M12x80-*	78	90.5	24.5	54	58	47	12	44	19	16	M12	80	24	86
234726-*	ERX.95 p-M12x30-*	95	109	26.5	64.5	69	54.5	13	53	21.5	18	M12	30	26	86
234741-*	ERX.95 p-M12x50-*	95	109	26.5	64.5	69	54.5	13	53	21.5	18	M12	50	26	90
234751-*	ERX.95 p-M12x70-*	95	109	26.5	64.5	69	54.5	13	53	21.5	18	M12	70	26	94
234901-*	ERX.95 p-M16x30-*	95	109	26.5	64.5	69	54.5	13	53	21.5	18	M16	30	26	104
234911-*	ERX.95 p-M16x50-*	95	109	26.5	64.5	69	54.5	13	53	21.5	18	M16	50	26	110
234921-*	ERX.95 p-M16x70-*	95	109	26.5	64.5	69	54.5	13	53	21.5	18	M16	70	26	116
235001-*	ERX.108 p-M12x30-*	108	123	30	65.5	70	54.5	11	52.5	25	20	M12	30	28	70
235006-*	ERX.108 p-M12x50-*	108	123	30	65.5	70	54.5	11	52.5	25	20	M12	50	28	75
235011-*	ERX.108 p-M12x70-*	108	123	30	65.5	70	54.5	11	52.5	25	20	M12	70	28	80
235016-*	ERX.108 p-M14x30-*	108	123	30	65.5	70	54.5	11	52.5	25	20	M14	30	28	86
235021-*	ERX.108 p-M14x50-*	108	123	30	65.5	70	54.5	11	52.5	25	20	M14	50	28	90
235026-*	ERX.108 p-M14x70-*	108	123	30	65.5	70	54.5	11	52.5	25	20	M14	70	28	95
235036-*	ERX.108 p-M16x30-*	108	123	30	65.5	70	54.5	11	52.5	25	20	M16	30	28	100
235041-*	ERX.108 p-M16x50-*	108	123	30	65.5	70	54.5	11	52.5	25	20	M16	50	28	105
235046-*	ERX.108 p-M16x70-*	108	123	30	65.5	70	54.5	11	52.5	25	20	M16	70	28	110

This product had the following design awards:



ELESA and GANTER models all rights reserved in accordance with the law. Always mention the source when reproducing our drawings.

**STANDARD MACHINE ELEMENTS WORLDWIDE**

## X-ON Electronics

Largest Supplier of Electrical and Electronic Components

*Click to view similar products for [Other Tools](#) category:*

*Click to view products by [Elesa & Ganter](#) manufacturer:*

Other Similar products are found below :

[CR-0AFL4--332K](#) [568681-1](#) [5800-0090](#) [58061-1](#) [59065-5](#) [59085](#) [00-8273-RDPP](#) [00-8729-WHPP](#) [593033](#) [593072](#) [593564100](#) [593575](#)  
[593593](#) [011349-000](#) [CRCW08052740FRT1](#) [LUC-018S070DSP](#) [LUC-024S105DSP](#) [599-2021-3-NME](#) [599-JJ-2021-03](#) [00-5080-YWPP](#) [00-](#)  
[9089-RDPP](#) [00-9300-RDPP](#) [CRCW2010331JR02](#) [601-JJ-06](#) [601-SPB](#) [601YSY](#) [602-JJ-03](#) [602SPB](#) [603-JJ-07-FP](#) [603-JJY-04](#) [M15570-25](#)  
[CRTN1013](#) [CS16](#) [6-1579014-0](#) [6203](#) [62200-5709](#) [6240-1](#) [M43435 TY 2 SZ 3 FIN B BLK](#) [M43435 TY 5 SZ 3 FIN C NAT](#) [M-5Z](#) [M6816](#)  
[M7298](#) [M7456](#) [M7976](#) [660-29ABT1](#) [662508-1](#) [CVHD-950X-93.333](#) [CW104-01X](#) [671-GP-04-KT39-73207](#) [CW307-01A](#)