

Adjustable handles

Technopolymer, steel or stainless steel clamping element

LEVER BODY

Glass-fibre reinforced polyamide based (PA) technopolymer, grey-black colour, matte finish. Built-in zinc alloy toothed insert for coupling to the metal clamping element.

STANDARD EXECUTIONS

- **ERZ-A:** black-oxide steel clamping element with threaded hole and retaining screw. AISI 302 stainless steel return spring.
- **ERZ-SST:** AISI 303 stainless steel clamping element with threaded hole and retaining screw. AISI 302 stainless steel return spring.
- **ERZ-p:** black-oxide steel clamping element with threaded stud and retaining screw. AISI 302 stainless steel return spring.
- **ERZ-SST-p:** AISI 303 stainless steel clamping element with threaded stud and retaining screw. AISI 302 stainless steel return spring.

Retaining screw with six-lobed socket to fit TORX®.

FEATURES AND APPLICATIONS

Particularly suitable when the lever turning angle is limited owing to lack of space.

The metal teeth of the built-in zinc alloy insert allow the assembly of clamping elements completely made out of metal, which can be easily modified by machining in case of special assembly requirements.

SPECIAL EXECUTIONS ON REQUEST

Lever body in orange colour.

INSTRUCTIONS OF USE

For clamping, lift the lever to disengage the clamping device teeth and bring it back to start position. By releasing the lever, the return spring automatically engages the teeth.

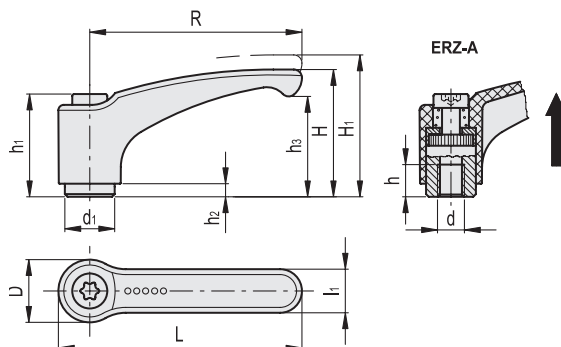
If the lever cannot make a 360° rotation, the clamping element can be easily screwed by means of the six-lobed socket front head screw (after having disengaged the lever).

* Registered trademark by **TEXTRON INC.**



ERGOSTYLE®

ERZ-A
ERZ-SST



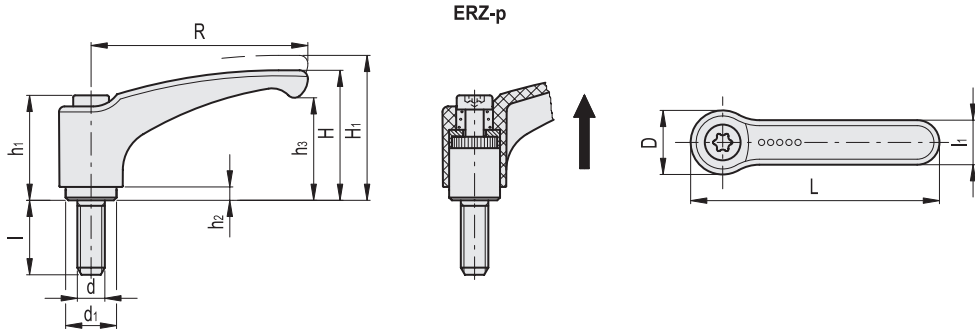
ERZ-A

Code	Description	R	d	L	D	H	Hi	h	h1	h2	h3	d1	li	Teeth no.	
237102	ERZ.44 A-M4	44	M4	52	15.5	30.5	34	8	24.5	3.5	22.5	10	11	18	16
237103	ERZ.44 A-M5	44	M5	52	15.5	30.5	34	8	24.5	3.5	22.5	10	11	18	16
237104	ERZ.44 A-M6	44	M6	52	15.5	30.5	34	8	24.5	3.5	22.5	10	11	18	15
237134	ERZ.63 A-M6	63	M6	73.5	19	38.5	42	10	31	3.5	30	13.5	13.5	24	36
237135	ERZ.63 A-M8	63	M8	73.5	19	38.5	42	10	31	3.5	30	13.5	13.5	24	34
237155	ERZ.78 A-M8	78	M8	90.5	23	45	50.5	14	36	3.5	35	16	16	26	61
237156	ERZ.78 A-M10	78	M10	90.5	23	45	50.5	14	36	3.5	35	16	16	26	55
237175	ERZ.95 A-M10	95	M10	109	26.5	56.5	61.5	17	43	5	45	19	18	28	93
237176	ERZ.95 A-M12	95	M12	109	26.5	56.5	61.5	17	43	5	45	19	18	28	86

ERZ-SST

STAINLESS STEEL

Code	Description	R	d	L	D	H	Hi	h	h1	h2	h3	d1	li	Teeth no.	
239105	ERZ.44 SST-M5	44	M5	52	15.5	30.5	34	8	24.5	3.5	22.5	10	11	18	16
239106	ERZ.44 SST-M6	44	M6	52	15.5	30.5	34	8	24.5	3.5	22.5	10	11	18	15
239135	ERZ.63 SST-M6	63	M6	73.5	19	38.5	42	10	31	3.5	30	13.5	13.5	24	36
239136	ERZ.63 SST-M8	63	M8	73.5	19	38.5	42	10	31	3.5	30	13.5	13.5	24	34
239155	ERZ.78 SST-M8	78	M8	90.5	23	45	50.5	14	36	3.5	35	16	16	26	61
239156	ERZ.78 SST-M10	78	M10	90.5	23	45	50.5	14	36	3.5	35	16	16	26	55
239175	ERZ.95 SST-M10	95	M10	109	26.5	56.5	61.5	17	43	5	45	19	18	28	93
239176	ERZ.95 SST-M12	95	M12	109	26.5	56.5	61.5	17	43	5	45	19	18	28	86

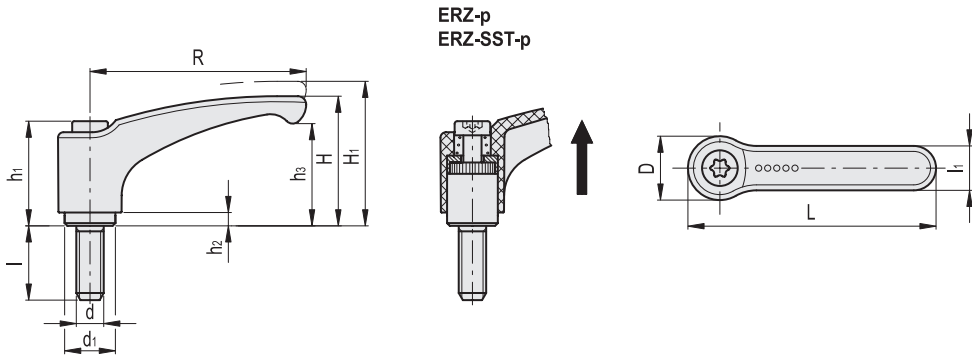


ERZ-p

Code	Description	R	d	L	D	H	H1	h1	h2	h3	d1	I	II	Teeth no.	⚖
238103	ERZ.44 p-M4x12	44	M4	52	15.5	30.5	34	24.5	3.5	22.5	10	12	11	18	15
238105	ERZ.44 p-M4x16	44	M4	52	15.5	30.5	34	24.5	3.5	22.5	10	16	11	18	16
238107	ERZ.44 p-M4x20	44	M4	52	15.5	30.5	34	24.5	3.5	22.5	10	20	11	18	17
238109	ERZ.44 p-M4x25	44	M4	52	15.5	30.5	34	24.5	3.5	22.5	10	25	11	18	18
238111	ERZ.44 p-M4x32	44	M4	52	15.5	30.5	34	24.5	3.5	22.5	10	32	11	18	19
238133	ERZ.44 p-M5x12	44	M5	52	15.5	30.5	34	24.5	3.5	22.5	10	12	11	18	17
238135	ERZ.44 p-M5x16	44	M5	52	15.5	30.5	34	24.5	3.5	22.5	10	16	11	18	18
238137	ERZ.44 p-M5x20	44	M5	52	15.5	30.5	34	24.5	3.5	22.5	10	20	11	18	19
238139	ERZ.44 p-M5x25	44	M5	52	15.5	30.5	34	24.5	3.5	22.5	10	25	11	18	20
238141	ERZ.44 p-M5x32	44	M5	52	15.5	30.5	34	24.5	3.5	22.5	10	32	11	18	21
238143	ERZ.44 p-M5x40	44	M5	52	15.5	30.5	34	24.5	3.5	22.5	10	40	11	18	22
238145	ERZ.44 p-M5x50	44	M5	52	15.5	30.5	34	24.5	3.5	22.5	10	50	11	18	23
238153	ERZ.44 p-M6x12	44	M6	52	15.5	30.5	34	24.5	3.5	22.5	10	12	11	18	19
238155	ERZ.44 p-M6x16	44	M6	52	15.5	30.5	34	24.5	3.5	22.5	10	16	11	18	20
238157	ERZ.44 p-M6x20	44	M6	52	15.5	30.5	34	24.5	3.5	22.5	10	20	11	18	21
238159	ERZ.44 p-M6x25	44	M6	52	15.5	30.5	34	24.5	3.5	22.5	10	25	11	18	22
238161	ERZ.44 p-M6x32	44	M6	52	15.5	30.5	34	24.5	3.5	22.5	10	32	11	18	23
238163	ERZ.44 p-M6x40	44	M6	52	15.5	30.5	34	24.5	3.5	22.5	10	40	11	18	24
238165	ERZ.44 p-M6x50	44	M6	52	15.5	30.5	34	24.5	3.5	22.5	10	50	11	18	25
238333	ERZ.63 p-M6x12	63	M6	73.5	19	38.5	42	31	3.5	30	13.5	12	13.5	24	47
238335	ERZ.63 p-M6x16	63	M6	73.5	19	38.5	42	31	3.5	30	13.5	16	13.5	24	49
238337	ERZ.63 p-M6x20	63	M6	73.5	19	38.5	42	31	3.5	30	13.5	20	13.5	24	55
238339	ERZ.63 p-M6x25	63	M6	73.5	19	38.5	42	31	3.5	30	13.5	25	13.5	24	57
238341	ERZ.63 p-M6x32	63	M6	73.5	19	38.5	42	31	3.5	30	13.5	32	13.5	24	61
238343	ERZ.63 p-M6x40	63	M6	73.5	19	38.5	42	31	3.5	30	13.5	40	13.5	24	68
238345	ERZ.63 p-M6x50	63	M6	73.5	19	38.5	42	31	3.5	30	13.5	50	13.5	24	77
238347	ERZ.63 p-M6x63	63	M6	73.5	19	38.5	42	31	3.5	30	13.5	63	13.5	24	79
238351	ERZ.63 p-M8x12	63	M8	73.5	19	38.5	42	31	3.5	30	13.5	12	13.5	24	40
238353	ERZ.63 p-M8x16	63	M8	73.5	19	38.5	42	31	3.5	30	13.5	16	13.5	24	41
238355	ERZ.63 p-M8x20	63	M8	73.5	19	38.5	42	31	3.5	30	13.5	20	13.5	24	42
238357	ERZ.63 p-M8x25	63	M8	73.5	19	38.5	42	31	3.5	30	13.5	25	13.5	24	43
238359	ERZ.63 p-M8x32	63	M8	73.5	19	38.5	42	31	3.5	30	13.5	32	13.5	24	44
238361	ERZ.63 p-M8x40	63	M8	73.5	19	38.5	42	31	3.5	30	13.5	40	13.5	24	46
238363	ERZ.63 p-M8x50	63	M8	73.5	19	38.5	42	31	3.5	30	13.5	50	13.5	24	48
238365	ERZ.63 p-M8x63	63	M8	73.5	19	38.5	42	31	3.5	30	13.5	63	13.5	24	51
238373	ERZ.63 p-M10x20	63	M10	73.5	19	38.5	42	31	3.5	30	13.5	20	13.5	24	42
238375	ERZ.63 p-M10x25	63	M10	73.5	19	38.5	42	31	3.5	30	13.5	25	13.5	24	43
238377	ERZ.63 p-M10x32	63	M10	73.5	19	38.5	42	31	3.5	30	13.5	32	13.5	24	45
238379	ERZ.63 p-M10x40	63	M10	73.5	19	38.5	42	31	3.5	30	13.5	40	13.5	24	47
238381	ERZ.63 p-M10x50	63	M10	73.5	19	38.5	42	31	3.5	30	13.5	50	13.5	24	52
238383	ERZ.63 p-M10x63	63	M10	73.5	19	38.5	42	31	3.5	30	13.5	63	13.5	24	53
238385	ERZ.63 p-M10x80	63	M10	73.5	19	38.5	42	31	3.5	30	13.5	80	13.5	24	57



Clamping levers 3




ERZ-p

Code	Description	R	d	L	D	H	H1	h1	h2	h3	d1	l	li	Teeth no.	
238533	ERZ.78 p-M8x16	78	M8	90.5	23	45	50.5	36	3.5	35	16	16	16	26	70
238535	ERZ.78 p-M8x20	78	M8	90.5	23	45	50.5	36	3.5	35	16	20	16	26	73
238537	ERZ.78 p-M8x25	78	M8	90.5	23	45	50.5	36	3.5	35	16	25	16	26	76
238539	ERZ.78 p-M8x32	78	M8	90.5	23	45	50.5	36	3.5	35	16	32	16	26	81
238541	ERZ.78 p-M8x40	78	M8	90.5	23	45	50.5	36	3.5	35	16	40	16	26	86
238543	ERZ.78 p-M8x50	78	M8	90.5	23	45	50.5	36	3.5	35	16	50	16	26	88
238545	ERZ.78 p-M8x63	78	M8	90.5	23	45	50.5	36	3.5	35	16	63	16	26	94
238547	ERZ.78 p-M8x80	78	M8	90.5	23	45	50.5	36	3.5	35	16	80	16	26	102
238551	ERZ.78 p-M10x16	78	M10	90.5	23	45	50.5	36	3.5	35	16	16	16	26	82
238553	ERZ.78 p-M10x20	78	M10	90.5	23	45	50.5	36	3.5	35	16	20	16	26	85
238555	ERZ.78 p-M10x25	78	M10	90.5	23	45	50.5	36	3.5	35	16	25	16	26	91
238557	ERZ.78 p-M10x32	78	M10	90.5	23	45	50.5	36	3.5	35	16	32	16	26	98
238559	ERZ.78 p-M10x40	78	M10	90.5	23	45	50.5	36	3.5	35	16	40	16	26	108
238561	ERZ.78 p-M10x50	78	M10	90.5	23	45	50.5	36	3.5	35	16	50	16	26	120
238563	ERZ.78 p-M10x63	78	M10	90.5	23	45	50.5	36	3.5	35	16	63	16	26	124
238565	ERZ.78 p-M10x80	78	M10	90.5	23	45	50.5	36	3.5	35	16	80	16	26	127
238573	ERZ.78 p-M12x25	78	M12	90.5	23	45	50.5	36	3.5	35	16	25	16	26	70
238575	ERZ.78 p-M12x32	78	M12	90.5	23	45	50.5	36	3.5	35	16	32	16	26	73
238577	ERZ.78 p-M12x40	78	M12	90.5	23	45	50.5	36	3.5	35	16	40	16	26	75
238579	ERZ.78 p-M12x50	78	M12	90.5	23	45	50.5	36	3.5	35	16	50	16	26	79
238581	ERZ.78 p-M12x63	78	M12	90.5	23	45	50.5	36	3.5	35	16	63	16	26	85
238583	ERZ.78 p-M12x80	78	M12	90.5	23	45	50.5	36	3.5	35	16	80	16	26	88
238723	ERZ.95 p-M10x16	95	M10	109	26.5	56.5	61.5	43	5	45	19	16	18	28	111
238725	ERZ.95 p-M10x20	95	M10	109	26.5	56.5	61.5	43	5	45	19	20	18	28	113
238727	ERZ.95 p-M10x25	95	M10	109	26.5	56.5	61.5	43	5	45	19	25	18	28	115
238729	ERZ.95 p-M10x32	95	M10	109	26.5	56.5	61.5	43	5	45	19	32	18	28	118
238731	ERZ.95 p-M10x40	95	M10	109	26.5	56.5	61.5	43	5	45	19	40	18	28	121
238733	ERZ.95 p-M10x50	95	M10	109	26.5	56.5	61.5	43	5	45	19	50	18	28	128
238735	ERZ.95 p-M10x63	95	M10	109	26.5	56.5	61.5	43	5	45	19	63	18	28	133
238737	ERZ.95 p-M10x80	95	M10	109	26.5	56.5	61.5	43	5	45	19	80	18	28	141
238747	ERZ.95 p-M12x16	95	M12	109	26.5	56.5	61.5	43	5	45	19	16	18	28	113
238749	ERZ.95 p-M12x20	95	M12	109	26.5	56.5	61.5	43	5	45	19	20	18	28	117
238751	ERZ.95 p-M12x25	95	M12	109	26.5	56.5	61.5	43	5	45	19	25	18	28	122
238753	ERZ.95 p-M12x32	95	M12	109	26.5	56.5	61.5	43	5	45	19	32	18	28	125
238755	ERZ.95 p-M12x40	95	M12	109	26.5	56.5	61.5	43	5	45	19	40	18	28	132
238757	ERZ.95 p-M12x50	95	M12	109	26.5	56.5	61.5	43	5	45	19	50	18	28	141
238759	ERZ.95 p-M12x63	95	M12	109	26.5	56.5	61.5	43	5	45	19	63	18	28	151
238761	ERZ.95 p-M12x80	95	M12	109	26.5	56.5	61.5	43	5	45	19	80	18	28	160
238773	ERZ.95 p-M16x25	95	M16	109	26.5	56.5	61.5	43	5	45	19	25	18	28	139
238775	ERZ.95 p-M16x32	95	M16	109	26.5	56.5	61.5	43	5	45	19	32	18	28	146
238777	ERZ.95 p-M16x40	95	M16	109	26.5	56.5	61.5	43	5	45	19	40	18	28	154
238779	ERZ.95 p-M16x50	95	M16	109	26.5	56.5	61.5	43	5	45	19	50	18	28	171
238781	ERZ.95 p-M16x63	95	M16	109	26.5	56.5	61.5	43	5	45	19	63	18	28	184
238783	ERZ.95 p-M16x80	95	M16	109	26.5	56.5	61.5	43	5	45	19	80	18	28	199

Clamping levers 3

ERZ-SST-p

STAINLESS STEEL

Code	Description	R	d	L	D	H	Hl	h1	h2	h3	d1	l	li	Teeth no.	
239233	ERZ.44 SST-p-M5x12	44	M5	52	15.5	30.5	34	24.5	3.5	22.5	10	12	11	18	17
239235	ERZ.44 SST-p-M5x16	44	M5	52	15.5	30.5	34	24.5	3.5	22.5	10	16	11	18	18
239237	ERZ.44 SST-p-M5x20	44	M5	52	15.5	30.5	34	24.5	3.5	22.5	10	20	11	18	19
239239	ERZ.44 SST-p-M5x25	44	M5	52	15.5	30.5	34	24.5	3.5	22.5	10	25	11	18	20
239241	ERZ.44 SST-p-M5x32	44	M5	52	15.5	30.5	34	24.5	3.5	22.5	10	32	11	18	21
239243	ERZ.44 SST-p-M5x40	44	M5	52	15.5	30.5	34	24.5	3.5	22.5	10	40	11	18	22
239245	ERZ.44 SST-p-M5x50	44	M5	52	15.5	30.5	34	24.5	3.5	22.5	10	50	11	18	23
239253	ERZ.44 SST-p-M6x12	44	M6	52	15.5	30.5	34	24.5	3.5	22.5	10	12	11	18	19
239255	ERZ.44 SST-p-M6x16	44	M6	52	15.5	30.5	34	24.5	3.5	22.5	10	16	11	18	20
239257	ERZ.44 SST-p-M6x20	44	M6	52	15.5	30.5	34	24.5	3.5	22.5	10	20	11	18	21
239259	ERZ.44 SST-p-M6x25	44	M6	52	15.5	30.5	34	24.5	3.5	22.5	10	25	11	18	22
239423	ERZ.44 SST-p-M6x32	44	M6	52	15.5	30.5	34	24.5	3.5	22.5	10	32	11	18	23
239425	ERZ.44 SST-p-M6x40	44	M6	52	15.5	30.5	34	24.5	3.5	22.5	10	40	11	18	24
239427	ERZ.44 SST-p-M6x50	44	M6	52	15.5	30.5	34	24.5	3.5	22.5	10	50	11	18	27
239429	ERZ.63 SST-p-M6x16	63	M6	73.5	19	38.5	42	31	3.5	30	13.5	16	13.5	24	40
239431	ERZ.63 SST-p-M6x20	63	M6	73.5	19	38.5	42	31	3.5	30	13.5	20	13.5	24	41
239433	ERZ.63 SST-p-M6x25	63	M6	73.5	19	38.5	42	31	3.5	30	13.5	25	13.5	24	42
239435	ERZ.63 SST-p-M6x32	63	M6	73.5	19	38.5	42	31	3.5	30	13.5	32	13.5	24	43
239437	ERZ.63 SST-p-M6x40	63	M6	73.5	19	38.5	42	31	3.5	30	13.5	40	13.5	24	44
239439	ERZ.63 SST-p-M6x50	63	M6	73.5	19	38.5	42	31	3.5	30	13.5	50	13.5	24	46
239441	ERZ.63 SST-p-M6x63	63	M6	73.5	19	38.5	42	31	3.5	30	13.5	63	13.5	24	48
239453	ERZ.63 SST-p-M8x16	63	M8	73.5	19	38.5	42	31	3.5	30	13.5	16	13.5	24	42
239455	ERZ.63 SST-p-M8x20	63	M8	73.5	19	38.5	42	31	3.5	30	13.5	20	13.5	24	46
239457	ERZ.63 SST-p-M8x25	63	M8	73.5	19	38.5	42	31	3.5	30	13.5	25	13.5	24	48
239459	ERZ.63 SST-p-M8x32	63	M8	73.5	19	38.5	42	31	3.5	30	13.5	32	13.5	24	50
239643	ERZ.63 SST-p-M8x40	63	M8	73.5	19	38.5	42	31	3.5	30	13.5	40	13.5	24	52
239645	ERZ.63 SST-p-M8x50	63	M8	73.5	19	38.5	42	31	3.5	30	13.5	50	13.5	24	54
239647	ERZ.63 SST-p-M8x63	63	M8	73.5	19	38.5	42	31	3.5	30	13.5	63	13.5	24	58
239673	ERZ.78 SST-p-M8x20	78	M8	90.5	23	45	50.5	36	3.5	35	16	20	16	26	69
239675	ERZ.78 SST-p-M8x25	78	M8	90.5	23	45	50.5	36	3.5	35	16	25	16	26	72
239677	ERZ.78 SST-p-M8x32	78	M8	90.5	23	45	50.5	36	3.5	35	16	32	16	26	76
239679	ERZ.78 SST-p-M8x40	78	M8	90.5	23	45	50.5	36	3.5	35	16	40	16	26	80
239681	ERZ.78 SST-p-M8x50	78	M8	90.5	23	45	50.5	36	3.5	35	16	50	16	26	84
239683	ERZ.78 SST-p-M8x63	78	M8	90.5	23	45	50.5	36	3.5	35	16	63	16	26	89
239685	ERZ.78 SST-p-M8x80	78	M8	90.5	23	45	50.5	36	3.5	35	16	80	16	26	97
239653	ERZ.78 SST-p-M10x20	78	M10	90.5	23	45	50.5	36	3.5	35	16	20	16	26	73
239655	ERZ.78 SST-p-M10x25	78	M10	90.5	23	45	50.5	36	3.5	35	16	25	16	26	76
239657	ERZ.78 SST-p-M10x32	78	M10	90.5	23	45	50.5	36	3.5	35	16	32	16	26	80
239659	ERZ.78 SST-p-M10x40	78	M10	90.5	23	45	50.5	36	3.5	35	16	40	16	26	84
239661	ERZ.78 SST-p-M10x50	78	M10	90.5	23	45	50.5	36	3.5	35	16	50	16	26	88
239663	ERZ.78 SST-p-M10x63	78	M10	90.5	23	45	50.5	36	3.5	35	16	63	16	26	94
239665	ERZ.78 SST-p-M10x80	78	M10	90.5	23	45	50.5	36	3.5	35	16	80	16	26	102
239823	ERZ.95 SST-p-M10x20	95	M10	109	26.5	56.5	61.5	43	5	45	19	20	18	28	113
239825	ERZ.95 SST-p-M10x25	95	M10	109	26.5	56.5	61.5	43	5	45	19	25	18	28	115
239827	ERZ.95 SST-p-M10x32	95	M10	109	26.5	56.5	61.5	43	5	45	19	32	18	28	118
239829	ERZ.95 SST-p-M10x40	95	M10	109	26.5	56.5	61.5	43	5	45	19	40	18	28	121
239831	ERZ.95 SST-p-M10x50	95	M10	109	26.5	56.5	61.5	43	5	45	19	50	18	28	128
239833	ERZ.95 SST-p-M10x63	95	M10	109	26.5	56.5	61.5	43	5	45	19	63	18	28	133
239835	ERZ.95 SST-p-M10x80	95	M10	109	26.5	56.5	61.5	43	5	45	19	80	18	28	141
239849	ERZ.95 SST-p-M12x20	95	M12	109	26.5	56.5	61.5	43	5	45	19	20	18	28	117
239851	ERZ.95 SST-p-M12x25	95	M12	109	26.5	56.5	61.5	43	5	45	19	25	18	28	122
239853	ERZ.95 SST-p-M12x32	95	M12	109	26.5	56.5	61.5	43	5	45	19	32	18	28	125
239855	ERZ.95 SST-p-M12x40	95	M12	109	26.5	56.5	61.5	43	5	45	19	40	18	28	132
239857	ERZ.95 SST-p-M12x50	95	M12	109	26.5	56.5	61.5	43	5	45	19	50	18	28	138
239859	ERZ.95 SST-p-M12x63	95	M12	109	26.5	56.5	61.5	43	5	45	19	63	18	28	148
239861	ERZ.95 SST-p-M12x80	95	M12	109	26.5	56.5	61.5	43	5	45	19	80	18	28	160



Clamping levers

X-ON Electronics

Largest Supplier of Electrical and Electronic Components

Click to view similar products for [Circuit Board Hardware - PCB category](#):

Click to view products by [Elesa & Ganter manufacturer](#):

Other Similar products are found below :

[8919-0-00-15-00-00-03-0](#) [0132-0-15-01-30-27-04-0](#) [0135-0-15-01-30-27-04-0](#) [5970-1-15-01-32-14-04-0](#) [0132-0-15-15-30-27-04-0](#) [0135-0-15-15-30-27-04-0](#) [0149-0-15-15-30-27-04-0](#) [MBI 1 BLUE](#) [7305-0-15-15-47-14-10-0](#) [MKU 1 BLACK](#) [MLN 150/1 BLACK](#) [8579-0-15-80-11-27-10-0](#) [8579-1-15-15-11-27-10-0](#) [8637-0-15-15-21-14-10-0](#) [8830-0-15-01-22-14-10-0](#) [8836-0-00-21-00-00-03-0](#) [PRUEF 2 RED](#) [9976-0-00-00-00-00-03-0](#) [1178-0-01-80-00-00-03-0](#) [PW1616](#) [1215-3-05-00-00-00-01-0](#) [1303-0-15-15-47-14-04-0](#) [1404-3](#) [1404-4](#) [1406-4](#) [1407-3](#) [1406-3](#) [1407-4](#) [1408-3](#) [1424-4](#) [1426-3](#) [1427-3](#) [1427-4](#) [1428-3](#) [1419-4](#) [1424-3](#) [1426-4](#) [1428-4](#) [MPS 1 BLACK](#) [1520150-1](#) [1548-103](#) [1801-0-15-15-30-27-04-0](#) [1938-0-00-00-00-00-03-0](#) [1942-0-00-00-00-00-03-0](#) [2101-3-00-44-00-00-07-0](#) [2104-2-01-44-00-00-07-0](#) [2108-2-00-50-00-00-07-0](#) [2108-3-00-44-00-00-07-0](#) [2109-2-00-44-00-00-07-0](#) [2110-2-00-44-00-00-07-0](#)