

Adjustable hand levers

Zinc die casting, Bushing / Threaded bolt Steel

SPECIFICATION

Handle

Zinc die casting

plastic coated

black, RAL 9005, textured finish **SW**

orange, RAL 2004, textured finish **OS**

Version with internal thread

Threaded bush and retaining screw

Steel (5.8), blackened

Version with threaded stud

Threaded stud and retaining screw

Steel (5.8), blackened



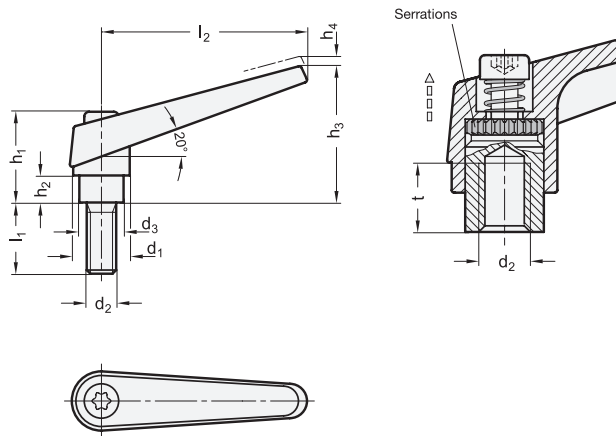
INFORMATION

Adjustable hand levers GN 101 are ideal whenever parts have to be clamped in a confined space or in a particular lever position. The centre insert is connected to the lever via serrations which can easily be disengaged.

Pulling the lever disengages serrations and allowing to be swivelled to the ideal clamping position. On releasing the lever the serrations automatically re-engage.

TECHNICAL INFORMATION

- Strength Values of Screws (see page A20)



* Complete with colour index of the clamping lever body (SW or OS)

SW
 RAL9005

OS
 RAL2004

GN 101-with internal thread


Description	d1	d2	d3	h1	h2	h3 ≈	h4	l2	t min.	
GN 101-14-M5-*	14	M 5	10	25	4.5	35	3.5	45	9	34
GN 101-18-M6-*	18	M 6	13.5	31	6.5	45	4	62	11	72
GN 101-18-M8-*	18	M 8	13.5	31	6.5	45	4	62	11	69
GN 101-22-M8-*	22	M 8	16	36	8	52	4	74	14	118
GN 101-22-M10-*	22	M 10	16	36	8	52	4	74	14	115
GN 101-25-M10-*	25	M 10	19	43	11	63	4	89	17	176
GN 101-25-M12-*	25	M 12	19	43	11	63	4	89	17	171
GN 101-30-M12-*	30	M 12	23	50.5	12	76	5	108	22	308
GN 101-30-M16-*	30	M 16	23	50.5	12	76	5	108	22	290

* Complete with colour index of the clamping lever body (SW or OS)

 SW
RAL9005

 OS
RAL2004

GN 101-with threaded stud

Description	d1	d2	l1	d3	h1	h2	h3 ≈	h4	l2	
GN 101-14-M5-12-*	14	M 5	12	10	25	4.5	35	3.5	45	37
GN 101-14-M5-16-*	14	M 5	16	10	25	4.5	35	3.5	45	37
GN 101-14-M5-20-*	14	M 5	20	10	25	4.5	35	3.5	45	38
GN 101-14-M5-25-*	14	M 5	25	10	25	4.5	35	3.5	45	39
GN 101-14-M5-32-*	14	M 5	32	10	25	4.5	35	3.5	45	39
GN 101-14-M5-40-*	14	M 5	40	10	25	4.5	35	3.5	45	39
GN 101-14-M5-50-*	14	M 5	50	10	25	4.5	35	3.5	45	40
GN 101-14-M6-12-*	14	M 6	12	10	25	4.5	35	3.5	45	37
GN 101-14-M6-16-*	14	M 6	16	10	25	4.5	35	3.5	45	39
GN 101-14-M6-20-*	14	M 6	20	10	25	4.5	35	3.5	45	38
GN 101-14-M6-25-*	14	M 6	25	10	25	4.5	35	3.5	45	39
GN 101-14-M6-32-*	14	M 6	32	10	25	4.5	35	3.5	45	40
GN 101-14-M6-40-*	14	M 6	40	10	25	4.5	35	3.5	45	41
GN 101-14-M6-50-*	14	M 6	50	10	25	4.5	35	3.5	45	43
GN 101-18-M6-16-*	18	M 6	16	13.5	31	6.5	45	4	62	78
GN 101-18-M6-20-*	18	M 6	20	13.5	31	6.5	45	4	62	78
GN 101-18-M6-25-*	18	M 6	25	13.5	31	6.5	45	4	62	79
GN 101-18-M6-32-*	18	M 6	32	13.5	31	6.5	45	4	62	80
GN 101-18-M6-40-*	18	M 6	40	13.5	31	6.5	45	4	62	82
GN 101-18-M6-50-*	18	M 6	50	13.5	31	6.5	45	4	62	83
GN 101-18-M6-63-*	18	M 6	63	13.5	31	6.5	45	4	62	84
GN 101-18-M8-16-*	18	M 8	16	13.5	31	6.5	45	4	62	79
GN 101-18-M8-20-*	18	M 8	20	13.5	31	6.5	45	4	62	81
GN 101-18-M8-25-*	18	M 8	25	13.5	31	6.5	45	4	62	83
GN 101-18-M8-32-*	18	M 8	32	13.5	31	6.5	45	4	62	84
GN 101-18-M8-40-*	18	M 8	40	13.5	31	6.5	45	4	62	88
GN 101-18-M8-50-*	18	M 8	50	13.5	31	6.5	45	4	62	90
GN 101-18-M8-63-*	18	M 8	63	13.5	31	6.5	45	4	62	93
GN 101-22-M10-20-*	22	M 10	20	16	36	8	52	4	74	134
GN 101-22-M10-25-*	22	M 10	25	16	36	8	52	4	74	136
GN 101-22-M10-32-*	22	M 10	32	16	36	8	52	4	74	140
GN 101-22-M10-40-*	22	M 10	40	16	36	8	52	4	74	143
GN 101-22-M10-50-*	22	M 10	50	16	36	8	52	4	74	149
GN 101-22-M10-63-*	22	M 10	63	16	36	8	52	4	74	152
GN 101-22-M10-80-*	22	M 10	80	16	36	8	52	4	74	160
GN 101-25-M12-25-*	25	M 12	25	19	43	11	63	4	89	204
GN 101-25-M12-32-*	25	M 12	32	19	43	11	63	4	89	209
GN 101-25-M12-40-*	25	M 12	40	19	43	11	63	4	89	215
GN 101-25-M12-50-*	25	M 12	50	19	43	11	63	4	89	223
GN 101-25-M12-63-*	25	M 12	63	19	43	11	63	4	89	230
GN 101-25-M12-80-*	25	M 12	80	19	43	11	63	4	89	240
GN 101-30-M16-32-*	30	M 16	32	23	50.5	12	76	5	108	365
GN 101-30-M16-40-*	30	M 16	40	23	50.5	12	76	5	108	380
GN 101-30-M16-50-*	30	M 16	50	23	50.5	12	76	5	108	390
GN 101-30-M16-63-*	30	M 16	63	23	50.5	12	76	5	108	403
GN 101-30-M16-80-*	30	M 16	80	23	50.5	12	76	5	108	424

X-ON Electronics

Largest Supplier of Electrical and Electronic Components

Click to view similar products for [Other Tools](#) category:

Click to view products by [Elesa & Ganter](#) manufacturer:

Other Similar products are found below :

[00120456](#) [00-5004-RDPP](#) [00-5080-YWPP](#) [00.709.0504.1](#) [00-8195-RDPP](#) [00-8271-RDPP](#) [00-8273-RDPP](#) [00-8275-RDPP](#) [00-8276-RDPP](#)
[00-8277-RDPP](#) [00-8279-RDPP](#) [00-8282-RDPP](#) [00-8290-RDPP](#) [00-8605-00J1](#) [00-8606-LRPP](#) [00-8727-RDPP](#) [00-8729-WHPP](#) [00-9089-](#)
[RDPP](#) [00-9150-RDPP](#) [009177001612196](#) [00-9295-RDPP](#) [00-9296-RDPP](#) [00-9297-RDPP](#) [00-9300-RDPP](#) [00970019X](#) [00970024M](#) [010-0029](#)
[010010TD](#) [01.001.5553.0](#) [010351TD](#) [010511616](#) [01104.99.01](#) [01106.99.01](#) [0110-SS-20](#) [01-13-31](#) [01-13-45](#) [011349-000](#) [01-13-51](#)
[0114660000](#) [0117-SS-20](#) [01-2006-1-0212](#) [01-23-51](#) [0126360000](#) [01-33-31](#) [0163-SS-20](#) [01874.9-30](#) [01VL050003](#) [01VP150003](#)
[01VS03NC03](#) [01VS050002](#)