

Stainless Steel-Ball lock pins

AISI 630, with plastic T-Handle

SPECIFICATION

Pin Stainless Steel AISI 630

- precipitation-hardened
- hard coated

T-Handle

Plastic (Polyamide PA)

- black
- temperature resistant up to 80 °C

Balls

Stainless Steel AISI 420C

Spring

Stainless Steel

German Material No. 14565



INFORMATION

Stainless Steel-Ball lock pins GN 113.8 are used for quick fixing, connecting and locking of various parts and workpieces. A typical application is locating pins which have often to be removed and installed again.

By pressing the spring loaded push button both balls are unlocked and by releasing it, the balls are locked again.

Ball lock pins GN 113.8 have an extreme load capacity, the pin is made of heavy duty, hardened and highly abrasion-resistant stainless steel. The load values given in the above table at shear stress are theoretically obtained and indicative only. They are non-binding recommended values and rule out of any liability. They constitute no general warranty of quality and condition. The user must determine from case to case whether a product is suitable for the intended use.

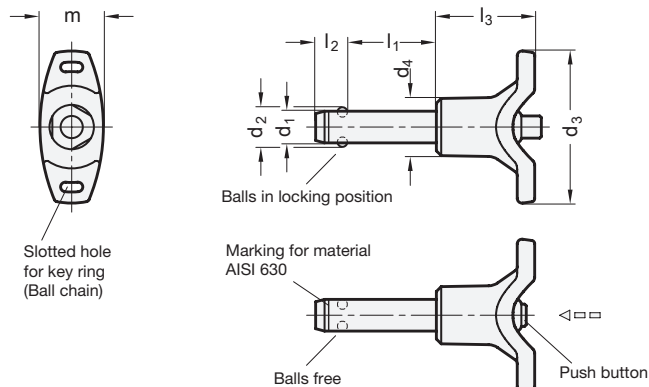
- Range of lock pins (see page 868)

ACCESSORY

- Ball chains GN 111 (see page 904)
- Stainless Steel-Ball chains GN 111.5 (see page 905)
- Retaining cables GN 111.2 (see page 906)
- Spiral retaining cables GN 111.4 (see page 908)

TECHNICAL INFORMATION

- Stainless Steel characteristics (see page A26)
- ISO-Fundamental Tolerances (see page A21)



GN 113.8

STAINLESS STEEL

Description	d1 -0.04/-0.08	l1 +0.6	d2	d3	d4	l2 ±1	l3	m	Locating bore H11	Load in kN ≈ Double sided shearing resistance according DIN 50141 (Breaking strength)	⚖
GN 113.8-5-10	5	10	5.5	40	13.5	6	25	15.5	5	24	14
GN 113.8-5-15	5	15	5.5	40	13.5	6	25	15.5	5	24	15
GN 113.8-5-20	5	20	5.5	40	13.5	6	25	15.5	5	24	16
GN 113.8-5-25	5	25	5.5	40	13.5	6	25	15.5	5	24	17
GN 113.8-5-30	5	30	5.5	40	13.5	6	25	15.5	5	24	18
GN 113.8-5-35	5	35	5.5	40	13.5	6	25	15.5	5	24	20
GN 113.8-5-40	5	40	5.5	40	13.5	6	25	15.5	5	24	21
GN 113.8-5-45	5	45	5.5	40	13.5	6	25	15.5	5	24	22
GN 113.8-5-50	5	50	5.5	40	13.5	6	25	15.5	5	24	23
GN 113.8-5-60	5	60	5.5	40	13.5	6	25	15.5	5	24	24
GN 113.8-5-70	5	70	5.5	40	13.5	6	25	15.5	5	24	26
GN 113.8-5-80	5	80	5.5	40	13.5	6	25	15.5	5	24	27
GN 113.8-6-10	6	10	7	40	13.5	7.1	25	15.5	6	35	16
GN 113.8-6-15	6	15	7	40	13.5	7.1	25	15.5	6	35	17
GN 113.8-6-20	6	20	7	40	13.5	7.1	25	15.5	6	35	18
GN 113.8-6-25	6	25	7	40	13.5	7.1	25	15.5	6	35	19
GN 113.8-6-30	6	30	7	40	13.5	7.1	25	15.5	6	35	20
GN 113.8-6-35	6	35	7	40	13.5	7.1	25	15.5	6	35	21
GN 113.8-6-40	6	40	7	40	13.5	7.1	25	15.5	6	35	22
GN 113.8-6-45	6	45	7	40	13.5	7.1	25	15.5	6	35	23
GN 113.8-6-50	6	50	7	40	13.5	7.1	25	15.5	6	35	24
GN 113.8-6-60	6	60	7	40	13.5	7.1	25	15.5	6	35	29
GN 113.8-6-70	6	70	7	40	13.5	7.1	25	15.5	6	35	31
GN 113.8-6-80	6	80	7	40	13.5	7.1	25	15.5	6	35	34
GN 113.8-8-10	8	10	9.5	48	18	8.2	31	20.5	8	63	39
GN 113.8-8-15	8	15	9.5	48	18	8.2	31	20.5	8	63	41
GN 113.8-8-20	8	20	9.5	48	18	8.2	31	20.5	8	63	40
GN 113.8-8-25	8	25	9.5	48	18	8.2	31	20.5	8	63	42
GN 113.8-8-30	8	30	9.5	48	18	8.2	31	20.5	8	63	44
GN 113.8-8-35	8	35	9.5	48	18	8.2	31	20.5	8	63	46
GN 113.8-8-40	8	40	9.5	48	18	8.2	31	20.5	8	63	48
GN 113.8-8-45	8	45	9.5	48	18	8.2	31	20.5	8	63	50
GN 113.8-8-50	8	50	9.5	48	18	8.2	31	20.5	8	63	53
GN 113.8-8-60	8	60	9.5	48	18	8.2	31	20.5	8	63	55
GN 113.8-8-70	8	70	9.5	48	18	8.2	31	20.5	8	63	63
GN 113.8-8-80	8	80	9.5	48	18	8.2	31	20.5	8	63	67
GN 113.8-8-90	8	90	9.5	48	18	8.2	31	20.5	8	63	71
GN 113.8-8-100	8	100	9.5	48	18	8.2	31	20.5	8	63	75
GN 113.8-10-15	10	15	12	48	18	9.6	31	20.5	10	100	45
GN 113.8-10-20	10	20	12	48	18	9.6	31	20.5	10	100	47
GN 113.8-10-25	10	25	12	48	18	9.6	31	20.5	10	100	50
GN 113.8-10-30	10	30	12	48	18	9.6	31	20.5	10	100	54
GN 113.8-10-35	10	35	12	48	18	9.6	31	20.5	10	100	56
GN 113.8-10-40	10	40	12	48	18	9.6	31	20.5	10	100	59
GN 113.8-10-45	10	45	12	48	18	9.6	31	20.5	10	100	62
GN 113.8-10-50	10	50	12	48	18	9.6	31	20.5	10	100	65
GN 113.8-10-60	10	60	12	48	18	9.6	31	20.5	10	100	71
GN 113.8-10-70	10	70	12	48	18	9.6	31	20.5	10	100	81
GN 113.8-10-80	10	80	12	48	18	9.6	31	20.5	10	100	88
GN 113.8-10-90	10	90	12	48	18	9.6	31	20.5	10	100	94
GN 113.8-10-100	10	100	12	48	18	9.6	31	20.5	10	100	100
GN 113.8-10-110	10	110	12	48	18	9.6	31	20.5	10	100	106
GN 113.8-10-120	10	120	12	48	18	9.6	31	20.5	10	100	112



Indexing elements



Indexing elements

GN 113.8

STAINLESS STEEL

Description	d1 -0.04/-0.08	l1 +0.6	d2	d3	d4	l2 ±1	l3	m	Locating bore H11	Load in kN ≈ Double sided shearing resistance according DIN 50141 (Breaking strength)	⚖️
GN 113.8-12-20	12	20	14.5	58	24	10.6	36.5	27.5	12	144	90
GN 113.8-12-25	12	25	14.5	58	24	10.6	36.5	27.5	12	144	94
GN 113.8-12-30	12	30	14.5	58	24	10.6	36.5	27.5	12	144	100
GN 113.8-12-35	12	35	14.5	58	24	10.6	36.5	27.5	12	144	104
GN 113.8-12-40	12	40	14.5	58	24	10.6	36.5	27.5	12	144	109
GN 113.8-12-45	12	45	14.5	58	24	10.6	36.5	27.5	12	144	113
GN 113.8-12-50	12	50	14.5	58	24	10.6	36.5	27.5	12	144	117
GN 113.8-12-60	12	60	14.5	58	24	10.6	36.5	27.5	12	144	125
GN 113.8-12-70	12	70	14.5	58	24	10.6	36.5	27.5	12	144	134
GN 113.8-12-80	12	80	14.5	58	24	10.6	36.5	27.5	12	144	142
GN 113.8-12-90	12	90	14.5	58	24	10.6	36.5	27.5	12	144	163
GN 113.8-12-100	12	100	14.5	58	24	10.6	36.5	27.5	12	144	172
GN 113.8-12-110	12	110	14.5	58	24	10.6	36.5	27.5	12	144	181
GN 113.8-12-120	12	120	14.5	58	24	10.6	36.5	27.5	12	144	190
GN 113.8-16-30	16	30	19	58	24	14	36.5	27.5	16	257	132
GN 113.8-16-35	16	35	19	58	24	14	36.5	27.5	16	257	140
GN 113.8-16-40	16	40	19	58	24	14	36.5	27.5	16	257	148
GN 113.8-16-45	16	45	19	58	24	14	36.5	27.5	16	257	155
GN 113.8-16-50	16	50	19	58	24	14	36.5	27.5	16	257	172
GN 113.8-16-60	16	60	19	58	24	14	36.5	27.5	16	257	187
GN 113.8-16-70	16	70	19	58	24	14	36.5	27.5	16	257	194
GN 113.8-16-80	16	80	19	58	24	14	36.5	27.5	16	257	209
GN 113.8-16-90	16	90	19	58	24	14	36.5	27.5	16	257	239
GN 113.8-16-100	16	100	19	58	24	14	36.5	27.5	16	257	254
GN 113.8-16-110	16	110	19	58	24	14	36.5	27.5	16	257	270
GN 113.8-16-120	16	120	19	58	24	14	36.5	27.5	16	257	286
GN 113.8-16-130	16	130	19	58	24	14	36.5	27.5	16	257	302
GN 113.8-16-140	16	140	19	58	24	14	36.5	27.5	16	257	318
GN 113.8-16-150	16	150	19	58	24	14	36.5	27.5	16	257	334
GN 113.8-20-50	20	50	25	80	34	20.5	46.5	38	20	403	352
GN 113.8-20-60	20	60	25	80	34	20.5	46.5	38	20	403	377
GN 113.8-20-70	20	70	25	80	34	20.5	46.5	38	20	403	401
GN 113.8-20-80	20	80	25	80	34	20.5	46.5	38	20	403	426
GN 113.8-20-90	20	90	25	80	34	20.5	46.5	38	20	403	451
GN 113.8-20-100	20	100	25	80	34	20.5	46.5	38	20	403	476
GN 113.8-20-110	20	110	25	80	34	20.5	46.5	38	20	403	501
GN 113.8-20-120	20	120	25	80	34	20.5	46.5	38	20	403	526
GN 113.8-20-130	20	130	25	80	34	20.5	46.5	38	20	403	550
GN 113.8-20-140	20	140	25	80	34	20.5	46.5	38	20	403	575
GN 113.8-20-150	20	150	25	80	34	20.5	46.5	38	20	403	600
GN 113.8-25-50	25	50	30.8	80	34	22	46.5	38	25	631	457
GN 113.8-25-60	25	60	30.8	80	34	22	46.5	38	25	631	496
GN 113.8-25-70	25	70	30.8	80	34	22	46.5	38	25	631	534
GN 113.8-25-80	25	80	30.8	80	34	22	46.5	38	25	631	573
GN 113.8-25-90	25	90	30.8	80	34	22	46.5	38	25	631	612
GN 113.8-25-100	25	100	30.8	80	34	22	46.5	38	25	631	651
GN 113.8-25-110	25	110	30.8	80	34	22	46.5	38	25	631	690
GN 113.8-25-120	25	120	30.8	80	34	22	46.5	38	25	631	728
GN 113.8-25-130	25	130	30.8	80	34	22	46.5	38	25	631	767
GN 113.8-25-140	25	140	30.8	80	34	22	46.5	38	25	631	806
GN 113.8-25-150	25	150	30.8	80	34	22	46.5	38	25	631	845

X-ON Electronics

Largest Supplier of Electrical and Electronic Components

Click to view similar products for [Crimpers / Crimping Tools](#) category:

Click to view products by [Elesa & Ganter](#) manufacturer:

Other Similar products are found below :

[010-0096](#) [M225201-06](#) [M225202-37](#) [6-1579015-5](#) [CT150-2-D02](#) [CT150-6-RH07](#) [622-6441LF](#) [M322](#) [6-304052-1](#) [63456-0054](#) [63484-3701](#)
[63800-8355](#) [63819-1875](#) [63819-2875](#) [63819-4475](#) [63823-3475](#) [63827-5375](#) [64001-0975](#) [64001-4175](#) [64005-0175](#) [662903-2](#) [690602-6](#) [7-](#)
[1579001-9](#) [7-23471-1](#) [762637-1](#) [808714-1](#) [811242-5](#) [91362-1](#) [999-50-020083](#) [1-21002-3](#) [1-21002-7](#) [12085270](#) [1-21002-6](#) [1-21113-6](#) [1-](#)
[22548-4](#) [125442-1](#) [DCE.91.073.BVC](#) [DCE.91.090.3MVM](#) [DCE.91.130.5MVU](#) [DCE.91.202.BVCM](#) [1338300-1](#) [1-354003-0](#) [1338301-1](#)
[DF62/RE-MD](#) [142321](#) [AP105-DF11-2428S\(64\)](#) [1456088-1](#) [1490794-1](#) [1-45804-6](#) [1490357-2](#)