

## Latches with gripping tray

Operation with key, lockable / not lockable

### SPECIFICATION

#### Lockable version:

##### Types

- Type **SC**: Operation with key (same lock)
- Type **SU**: Operation with key (different lock)

##### Identification no.

- No. **1**: Operation, in drawn position, at the top left
- No. **2**: Operation, in drawn position, at the top right

Front frame, zinc die casting, plastic coated  
black, RAL 9005, textured finish **SW**  
silver, RAL 9006, textured finish **SR**

Tray, plastic

- black grey (for SW)
- light grey (for SR)

Key

Nickel silver with plastic hand piece

other parts

Steel zinc plated, blue passivated

#### Not lockable version:

##### Types

- Type **DK**: Operation with triangular spindle (DK7)
- Type **VK7**: Operation with square spindle A/F7
- Type **VK8**: Operation with square spindle A/F8
- Type **SCH**: Operation with slot
- Type **VDE**: Operation with double bit

##### Identification no.

- No. **1**: Operation, in drawn position, at the top left
- No. **2**: Operation, in drawn position, at the top right

Front frame, zinc die casting, plastic coated  
black, RAL 9005, textured finish **SW**  
silver, RAL 9006, textured finish **SR**

Tray, plastic

- black grey (for SW)
- light grey (for SR)

Operating part

Zinc die casting

- plastic coated, black (for SW)
- chrome-plated (for SR)

other parts

Steel zinc plated, blue passivated

### INFORMATION

Latches with gripping tray GN 115.10 are used in applications which require a moulded recess in addition to the latching mechanism, e.g. if operating elements are not allowed to protrude for reasons of space.

A rotary movement limited to 90° moves the latch behind the frame, with the run-up bevels at the latch making it easier to close the door. Latches with different cranks cover a latch distance A from 4 to 50 mm.

The types with a different lock are available in more than 200 variants, whose key is marked by numbers.

The scope of delivery includes a separately enclosed latch as well as two keys removable in both end positions.

### ACCESSORY

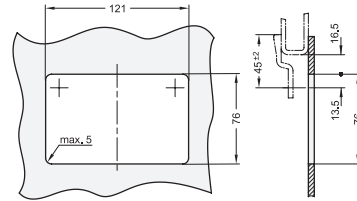
- Socket keys GN 119.2 (see page 1530)



### CONSTRUCTION AND ASSEMBLY INSTRUCTIONS

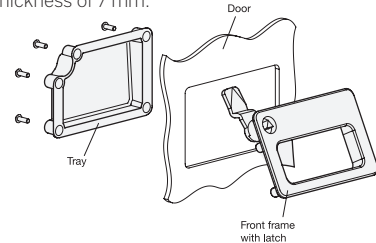
Before assembly, a nick must be made in the door as shown in the drawing.

Depending on position of the latch, the 16.5 mm edge spacing between frame and nick must be ensured sideways and / or top and bottom to make sure that the latch is positioned behind the frame.

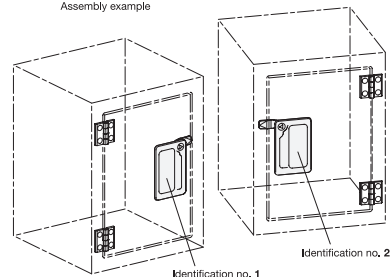


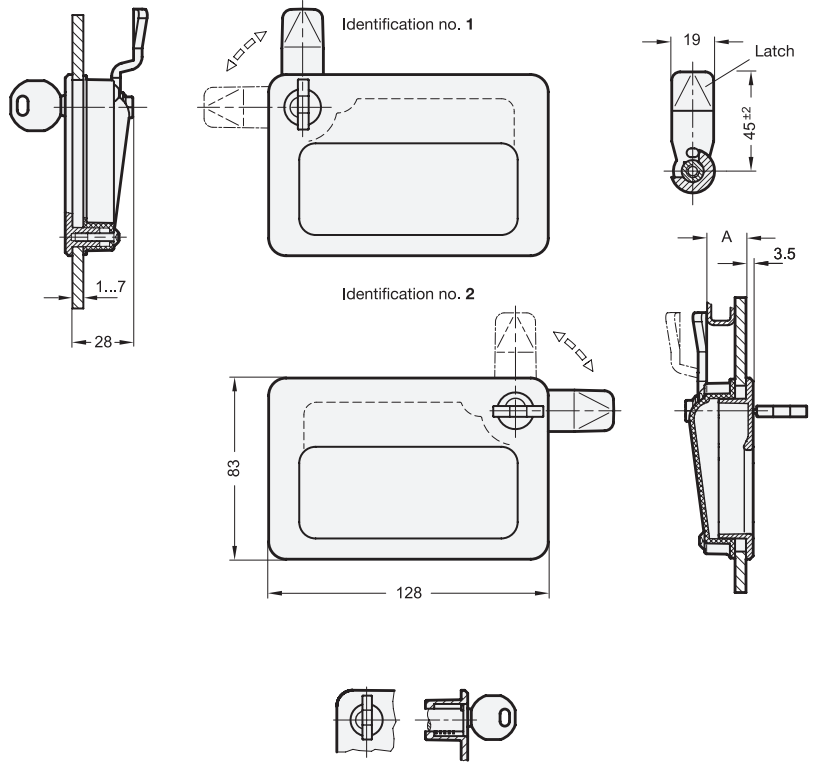
For the assembly, insert the front frame together with the pre-assembled latch from the front through the nick of the door by tilting. Place the plastic tray from the back onto the bore pegs of the front frame.

The M4x12 fillister-head screws included are then screwed in from the rear and tightened to fix and wedge the whole unit in place. The minimum screw-in depth of the screw is guaranteed with a maximum door wall thickness of 7 mm.



Assembly example





\* Complete with type index of the latch  
SC SU

GN 115.10 - Lockable

Description	Latch distance A	⚖
GN 115.10.*-4-1-SR	4	310
GN 115.10.*-4-1-SW	4	300
GN 115.10.*-4-2-SR	4	300
GN 115.10.*-4-2-SW	4	300
GN 115.10.*-6-1-SR	6	307
GN 115.10.*-6-1-SW	6	307
GN 115.10.*-6-2-SR	6	319
GN 115.10.*-6-2-SW	6	319
GN 115.10.*-8-1-SR	8	308
GN 115.10.*-8-1-SW	8	308
GN 115.10.*-8-2-SR	8	308
GN 115.10.*-8-2-SW	8	308
GN 115.10.*-10-1-SR	10	309
GN 115.10.*-10-1-SW	10	309
GN 115.10.*-10-2-SR	10	309
GN 115.10.*-10-2-SW	10	309
GN 115.10.*-13-1-SR	13	310
GN 115.10.*-13-1-SW	13	310
GN 115.10.*-13-2-SR	13	310
GN 115.10.*-13-2-SW	13	310
GN 115.10.*-14-1-SR	14	311
GN 115.10.*-14-1-SW	14	311
GN 115.10.*-14-2-SR	14	311
GN 115.10.*-14-2-SW	14	311
GN 115.10.*-16-1-SR	16	312
GN 115.10.*-16-1-SW	16	312
GN 115.10.*-16-2-SR	16	312
GN 115.10.*-16-2-SW	16	312
GN 115.10.*-18-1-SR	18	305
GN 115.10.*-18-1-SW	18	305

GN 115.10 - Lockable

Description	Latch distance A	⚖
GN 115.10.*-18-2-SR	18	305
GN 115.10.*-18-2-SW	18	305
GN 115.10.*-20-1-SR	20	306
GN 115.10.*-20-1-SW	20	306
GN 115.10.*-20-2-SR	20	306
GN 115.10.*-20-2-SW	20	306
GN 115.10.*-22-1-SR	22	306
GN 115.10.*-22-1-SW	22	306
GN 115.10.*-22-2-SR	22	306
GN 115.10.*-22-2-SW	22	306
GN 115.10.*-24-1-SR	24	306
GN 115.10.*-24-1-SW	24	306
GN 115.10.*-24-2-SR	24	306
GN 115.10.*-24-2-SW	24	306
GN 115.10.*-26-1-SR	26	306
GN 115.10.*-26-1-SW	26	308
GN 115.10.*-26-2-SR	26	308
GN 115.10.*-26-2-SW	26	308
GN 115.10.*-28-1-SR	28	308
GN 115.10.*-28-1-SW	28	308
GN 115.10.*-28-2-SR	28	308
GN 115.10.*-28-2-SW	28	308
GN 115.10.*-30-1-SR	30	309
GN 115.10.*-30-1-SW	30	309
GN 115.10.*-30-2-SR	30	309
GN 115.10.*-30-2-SW	30	309
GN 115.10.*-32-1-SR	32	310
GN 115.10.*-32-1-SW	32	310
GN 115.10.*-32-2-SR	32	310
GN 115.10.*-32-2-SW	32	310

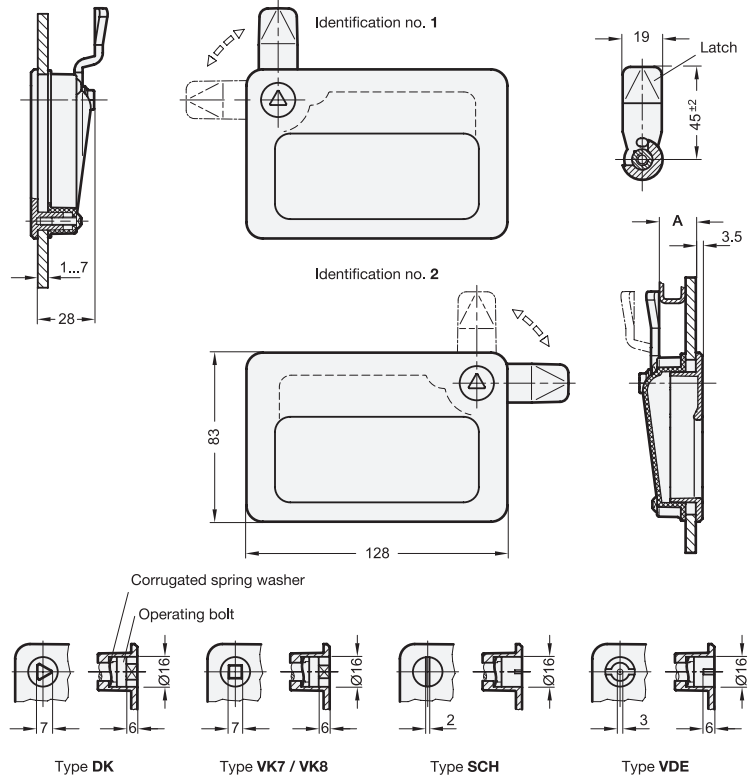
GN 115.10 - Lockable

Description	Latch distance A	⚖
GN 115.10.*-34-1-SR	34	312
GN 115.10.*-34-1-SW	34	312
GN 115.10.*-34-2-SR	34	312
GN 115.10.*-34-2-SW	34	312
GN 115.10.*-36-1-SR	36	313
GN 115.10.*-36-1-SW	36	313
GN 115.10.*-36-2-SR	36	313
GN 115.10.*-36-2-SW	36	313
GN 115.10.*-38-1-SR	38	315
GN 115.10.*-38-1-SW	38	315
GN 115.10.*-38-2-SR	38	315
GN 115.10.*-38-2-SW	38	315
GN 115.10.*-40-1-SR	40	315
GN 115.10.*-40-1-SW	40	315
GN 115.10.*-40-2-SR	40	315
GN 115.10.*-40-2-SW	40	315
GN 115.10.*-42-1-SR	42	317
GN 115.10.*-42-1-SW	42	317
GN 115.10.*-42-2-SR	42	317
GN 115.10.*-42-2-SW	42	317
GN 115.10.*-45-1-SR	45	319
GN 115.10.*-45-1-SW	45	319
GN 115.10.*-45-2-SR	45	319
GN 115.10.*-45-2-SW	45	319
GN 115.10.*-50-1-SR	50	322
GN 115.10.*-50-1-SW	50	322
GN 115.10.*-50-2-SR	50	322
GN 115.10.*-50-2-SW	50	322

Weight type SC



Latches 13



\* Complete with type index of the latch  
DK VK7 VK8 SCH VDE

**GN 115.10 - Not lockable**

Description	Latch distance A	△
GN 115.10.*-4-1-SW	4	310
GN 115.10.*-4-1-SR	4	310
GN 115.10.*-4-2-SW	4	310
GN 115.10.*-4-2-SR	4	310
GN 115.10.*-6-1-SW	6	307
GN 115.10.*-6-1-SR	6	307
GN 115.10.*-6-2-SW	6	307
GN 115.10.*-6-2-SR	6	307
GN 115.10.*-8-1-SW	8	308
GN 115.10.*-8-1-SR	8	308
GN 115.10.*-8-2-SW	8	308
GN 115.10.*-8-2-SR	8	308
GN 115.10.*-10-1-SW	10	307
GN 115.10.*-10-1-SR	10	307
GN 115.10.*-10-2-SW	10	307
GN 115.10.*-10-2-SR	10	307
GN 115.10.*-13-1-SW	13	307
GN 115.10.*-13-1-SR	13	307
GN 115.10.*-13-2-SW	13	307
GN 115.10.*-13-2-SR	13	307
GN 115.10.*-14-1-SW	14	307
GN 115.10.*-14-1-SR	14	307
GN 115.10.*-14-2-SW	14	307
GN 115.10.*-14-2-SR	14	307
GN 115.10.*-16-1-SW	16	300
GN 115.10.*-16-1-SR	16	300
GN 115.10.*-16-2-SW	16	300
GN 115.10.*-16-2-SR	16	300
GN 115.10.*-18-1-SW	18	305
GN 115.10.*-18-1-SR	18	305

**GN 115.10 - Not lockable**

Description	Latch distance A	△
GN 115.10.*-18-2-SW	18	305
GN 115.10.*-18-2-SR	18	305
GN 115.10.*-20-1-SW	20	306
GN 115.10.*-20-1-SR	20	306
GN 115.10.*-20-2-SW	20	306
GN 115.10.*-20-2-SR	20	306
GN 115.10.*-22-1-SW	22	306
GN 115.10.*-22-1-SR	22	306
GN 115.10.*-22-2-SW	22	306
GN 115.10.*-22-2-SR	22	306
GN 115.10.*-24-1-SW	24	306
GN 115.10.*-24-1-SR	24	306
GN 115.10.*-24-2-SW	24	306
GN 115.10.*-24-2-SR	24	306
GN 115.10.*-26-1-SW	26	308
GN 115.10.*-26-1-SR	26	308
GN 115.10.*-26-2-SW	26	308
GN 115.10.*-26-2-SR	26	308
GN 115.10.*-28-1-SW	28	308
GN 115.10.*-28-1-SR	28	308
GN 115.10.*-28-2-SW	28	308
GN 115.10.*-28-2-SR	28	308
GN 115.10.*-30-1-SW	30	309
GN 115.10.*-30-1-SR	30	309
GN 115.10.*-30-2-SW	30	308
GN 115.10.*-30-2-SR	30	309
GN 115.10.*-32-1-SW	32	310
GN 115.10.*-32-1-SR	32	310
GN 115.10.*-32-2-SW	32	310
GN 115.10.*-32-2-SR	32	310

**GN 115.10 - Not lockable**

Description	Latch distance A	△
GN 115.10.*-34-1-SW	34	312
GN 115.10.*-34-1-SR	34	312
GN 115.10.*-34-2-SW	34	312
GN 115.10.*-34-2-SR	34	312
GN 115.10.*-36-1-SW	36	313
GN 115.10.*-36-1-SR	36	313
GN 115.10.*-36-2-SW	36	313
GN 115.10.*-36-2-SR	36	313
GN 115.10.*-38-1-SW	38	315
GN 115.10.*-38-1-SR	38	315
GN 115.10.*-38-2-SW	38	315
GN 115.10.*-38-2-SR	38	315
GN 115.10.*-40-1-SW	40	318
GN 115.10.*-40-1-SR	40	318
GN 115.10.*-40-2-SW	40	318
GN 115.10.*-40-2-SR	40	318
GN 115.10.*-42-1-SW	42	317
GN 115.10.*-42-1-SR	42	317
GN 115.10.*-42-2-SW	42	317
GN 115.10.*-42-2-SR	42	317
GN 115.10.*-45-1-SW	45	318
GN 115.10.*-45-1-SR	45	318
GN 115.10.*-45-2-SW	45	318
GN 115.10.*-45-2-SR	45	318
GN 115.10.*-50-1-SW	50	322
GN 115.10.*-50-1-SR	50	322
GN 115.10.*-50-2-SW	50	322
GN 115.10.*-50-2-SR	50	322

Weight type DK



## X-ON Electronics

Largest Supplier of Electrical and Electronic Components

*Click to view similar products for [Latches](#) category:*

*Click to view products by [Elesa & Ganter](#) manufacturer:*

Other Similar products are found below :

[ML4875CS-5](#) [401639B](#) [716165RB](#) [74F373DW](#) [74LVC373ADTR2G](#) [74LVC573ADTR2G](#) [NL17SG373DFT2G](#) [NLV14044BDG](#) [5962-8863901RA](#) [5962-88639012A](#) [NLV14042BDR2G](#) [GN 115-VDE-16](#) [74AHC573PW,118](#) [2.L18.001-21](#) [2.PM18.002-18](#) [2.PM18.006-18](#) [2.T18.001-21](#) [2.T18.006-18](#) [CQ/AA-KEY](#) [CQ/A-M22X1,5-45-28](#) [CQ/A-M22X1,5-45-32](#) [M22-2-D5-2-21-01-P](#) [CY74FCT2373CTSOC](#) [421283](#) [MM74HC373WM](#) [MM74HC573WM](#) [74LCX373MTC](#) [74LVT16373MTDX](#) [74VHC373MX](#) [KLD5.001-02](#) [Z-0233-827-15](#) [MIC58P01YV](#) [74AHCT573D.112](#) [74LCX16373MTDX](#) [CQ/A-M22X1,5-45-16](#) [CQ/A-M22X1,5-45-18](#) [CQ/A-M22X1,5-45-20](#) [CQ/A-M22X1,5-45-24](#) [CQ/A-M22X1,5-45-30](#) [CQT/A-32-18 AE-V0](#) [CQT/A-32 20-AE-V0](#) [CY54FCT841ATDMB](#) [2.904.005](#) [2.904.006](#) [2.904.008](#) [2.KLB-D5.001PA-07](#) [2.KLB-KW8.001PA-07](#) [2.L18.001-18](#) [2.L30.002-30](#) [2.PM30.001-33](#)