

## Stainless Steel-Sheet metal hinges

for welding

### SPECIFICATION

#### Type

- Type **A**: without bores

Stainless Steel **NI**

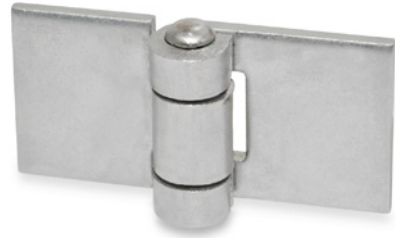
- AISI 304

- blank **BL**

Pin

- Stainless Steel AISI 304

- riveted



### INFORMATION

Stainless Steel-Sheet metal hinges GN 1362 are distinguished by their universally compatible dimensions. The materials used also permit applications in aggressive environments.

Type A is fastened via welding or holes created by the customer.

Thanks to the standard dimensions, special application-specific solutions can be realized even in relatively small quantities.

### TECHNICAL INFORMATION

- Stainless Steel characteristics (see page A26)

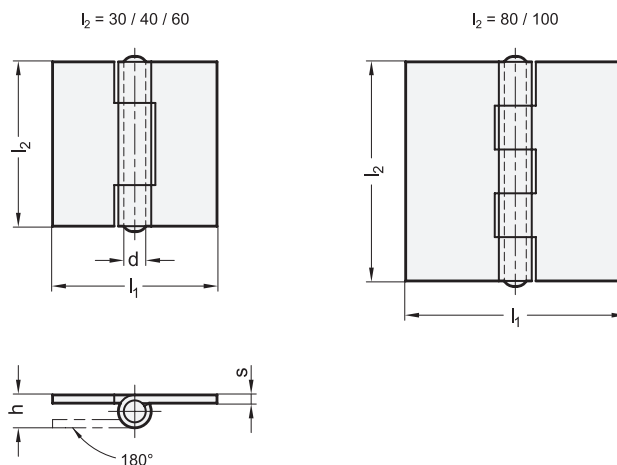
- Load rating information of hinges (see page A40)

### ON REQUEST

- other dimensions

- with bores

- other surface types



### GN 1362

STAINLESS STEEL

Description	l1	l2	d	h	s	⚖
GN 1362-NI-60-30-A-BL	60	30	6	12	3	60
GN 1362-NI-60-40-A-BL	60	40	6	12	3	80
GN 1362-NI-60-60-A-BL	60	60	6	12	3	90
GN 1362-NI-80-30-A-BL	80	30	6	12	3	120
GN 1362-NI-80-40-A-BL	80	40	6	12	3	170
GN 1362-NI-80-80-A-BL	80	80	6	12	3	200
GN 1362-NI-100-100-A-BL	100	100	6	12	3	300

## X-ON Electronics

Largest Supplier of Electrical and Electronic Components

*Click to view similar products for [Mounting Fixings](#) category:*

*Click to view products by [Elesa & Ganter](#) manufacturer:*

Other Similar products are found below :

[007310](#) [007541](#) [6-141-P](#) [620HA038NF09](#) [620HA038NF11](#) [71-074914-006](#) [71-146610-6H](#) [712HA170B23128-N](#) [71-441549-19S](#) [71-490451-4H](#) [75-69211-3P](#) [75-69220-27S](#) [75-69224-5S](#) [770-006A109](#) [770-006A109R](#) [770-006A207](#) [770-006A208W1](#) [770-006A209](#) [770-006A306](#) [770-006A703W1](#) [770-006A704](#) [770-006A704W1](#) [770-006A705](#) [770-006A706](#) [770-006A706W1](#) [770-006A707](#) [770-006A709](#) [770-007A203](#) [770-007A203W1](#) [770-007A204W1](#) [770-007A207W1](#) [770-007A703](#) [770-007A704W1](#) [770-007A706](#) [770-007A707W1](#) [770-010Y208](#) [770-010Y308](#) [770-010Y705](#) [770-010Y706](#) [770-010Y707W1](#) [770-011T201](#) [770-011T203](#) [770-011T701W1](#) [770-011T702](#) [770-011T702W1](#) [770-011T703](#) [770-013210W1](#) [770-013311](#) [770-013312](#) [770-013709](#)