

Stainless Steel-Sheet metal hinges

pointed

SPECIFICATION

Type

- Type **B**: with through-holes

Stainless Steel **NI**

- AISI 304

- blank **BL**

Pin

- Stainless Steel AISI 304

- riveted



INFORMATION

Pointed Stainless Steel-Sheet metal hinges GN 1364 are characterized by their compact and universal dimensioning as well as their attractively shaped design. The materials used also permit applications in aggressive environments.

Type B is fastened via the existing through-holes using screws or rivets.

TECHNICAL INFORMATION

- Stainless Steel characteristics (see page A26)

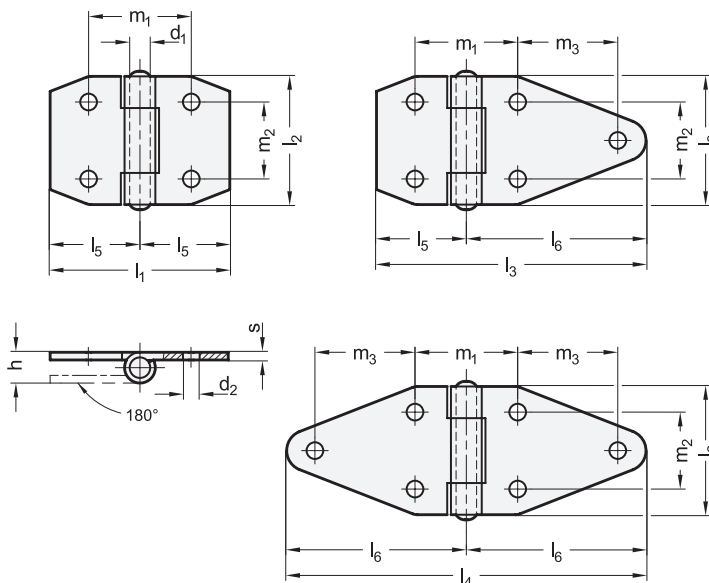
- Load rating information of hinges (see page A40)

ON REQUEST

- without bores

- with countersunk holes

- other surface types



GN 1364

STAINLESS STEEL

Description	l1	l3	l4	l2	d1	d2	h	l5	l6	m1	m2	m3	s	
GN 1364-NI-70-50-B-BL	70	-	-	50	6	6.5	12	35	-	42	30	-	3	110
GN 1364-NI-105-50-B-BL	-	105	-	50	6	6.5	12	35	70	42	30	39	3	128
GN 1364-NI-140-50-B-BL	-	-	140	50	6	6.5	12	-	70	42	30	39	3	133

X-ON Electronics

Largest Supplier of Electrical and Electronic Components

Click to view similar products for [Mounting Fixings](#) category:

Click to view products by [Elesa & Ganter](#) manufacturer:

Other Similar products are found below :

[007310](#) [007541](#) [6-141-P](#) [620HA038NF09](#) [620HA038NF11](#) [71-074914-006](#) [71-146610-6H](#) [712HA170B23128-N](#) [71-441549-19S](#) [71-490451-4H](#) [75-69211-3P](#) [75-69220-27S](#) [75-69224-5S](#) [770-006A109](#) [770-006A109R](#) [770-006A207](#) [770-006A208W1](#) [770-006A209](#) [770-006A306](#) [770-006A703W1](#) [770-006A704](#) [770-006A704W1](#) [770-006A705](#) [770-006A706](#) [770-006A706W1](#) [770-006A707](#) [770-006A709](#) [770-007A203](#) [770-007A203W1](#) [770-007A204W1](#) [770-007A207W1](#) [770-007A703](#) [770-007A704W1](#) [770-007A706](#) [770-007A707W1](#) [770-010Y208](#) [770-010Y308](#) [770-010Y705](#) [770-010Y706](#) [770-010Y707W1](#) [770-011T201](#) [770-011T203](#) [770-011T701W1](#) [770-011T702](#) [770-011T702W1](#) [770-011T703](#) [770-013210W1](#) [770-013311](#) [770-013312](#) [770-013709](#)