

Sheet metal hinges

Stainless Steel / Steel, extended, horizontally elongated

SPECIFICATION

Types

- Type **A**: without bores (only in Stainless Steel NI)
- Type **B**: with through-holes
- Type **C**: with countersunk holes

Version in Steel

Steel **ST**

- only type B and C
- zinc plated, blue passivated

Pin, Stainless Steel AISI 304, riveted

Version in Stainless Steel

Stainless Steel AISI 304 **NI**

all types

Pin, Stainless Steel AISI 304, riveted



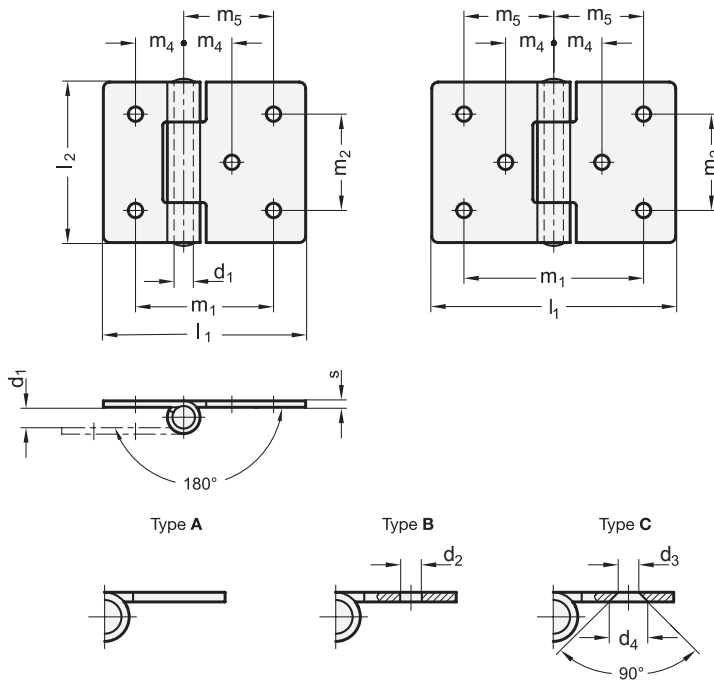
INFORMATION

GN 136 sheet metal hinges are available in many different versions and are suitable for light to medium-duty applications.

Type A can be fixed in place by welding or by using holes made by the customer.

TECHNICAL INFORMATION

- Stainless Steel characteristics (see page A26)
- Load rating information of hinges (see page A40)
- List of hinges types (see page 1362)





Hinges 12

GN 136-ST-extended

Description	l1	l2	d1	d2	d3	d4	m1	m2	m4	m5	s	⚖
GN 136-ST-45-30-B	45	30	3	3.2	-	-	33	18	9	-	1.5	19
GN 136-ST-60-30-B	60	30	3	3.2	-	-	48	18	9	24	1.5	25
GN 136-ST-60-40-B	60	40	4	4.2	-	-	45	25	12.5	-	2	46
GN 136-ST-75-50-B	75	50	6	5.2	-	-	55	30	15	-	2	80
GN 136-ST-80-40-B	80	40	4	4.2	-	-	65	25	12.5	32.5	2	58
GN 136-ST-90-60-B	90	60	6	5.2	-	-	66	36	18	-	2	108
GN 136-ST-100-50-B	100	50	6	5.2	-	-	80	30	15	40	2	99
GN 136-ST-120-60-B	120	60	6	5.2	-	-	96	36	18	48	2	137
GN 136-ST-45-30-C	45	30	3	-	4	6.4	33	18	9	-	1.5	18
GN 136-ST-60-30-C	60	30	3	-	4	6.4	48	18	9	24	1.5	24
GN 136-ST-60-40-C	60	40	4	-	5	8.3	45	25	12.5	-	2	45
GN 136-ST-75-50-C	75	50	6	-	5	8.3	55	30	15	-	2	79
GN 136-ST-80-40-C	80	40	4	-	5	8.3	65	25	12.5	32.5	2	57
GN 136-ST-90-60-C	90	60	6	-	5	8.3	66	36	18	-	2	107
GN 136-ST-100-50-C	100	50	6	-	5	8.3	80	30	15	40	2	98
GN 136-ST-120-60-C	120	60	6	-	5	8.3	96	36	18	48	2	135

GN 136-NI-extended

STAINLESS STEEL

Description	l1	l2	d1	d2	d3	d4	m1	m2	m4	m5	s	⚖
GN 136-NI-45-30-A	45	30	3	-	-	-	33	18	9	-	1.5	20
GN 136-NI-60-30-A	60	30	3	-	-	-	48	18	9	24	1.5	25
GN 136-NI-60-40-A	60	40	4	-	-	-	45	25	12.5	-	2	47
GN 136-NI-75-50-A	75	50	6	-	-	-	55	30	15	-	2	81
GN 136-NI-80-40-A	80	40	4	-	-	-	65	25	12.5	32.5	2	59
GN 136-NI-90-60-A	90	60	6	-	-	-	66	36	18	-	2	111
GN 136-NI-100-50-A	100	50	6	-	-	-	80	30	15	40	2	99
GN 136-NI-120-60-A	120	60	6	-	-	-	96	36	18	48	2	139
GN 136-NI-45-30-B	45	30	3	3.2	-	-	33	18	9	-	1.5	19
GN 136-NI-60-30-B	60	30	3	3.2	-	-	48	18	9	24	1.5	25
GN 136-NI-60-40-B	60	40	4	4.2	-	-	45	25	12.5	-	2	46
GN 136-NI-75-50-B	75	50	6	5.2	-	-	55	30	15	-	2	80
GN 136-NI-80-40-B	80	40	4	4.2	-	-	65	25	12.5	32.5	2	58
GN 136-NI-90-60-B	90	60	6	5.2	-	-	66	36	18	-	2	90
GN 136-NI-100-50-B	100	50	6	5.2	-	-	80	30	15	40	2	99
GN 136-NI-120-60-B	120	60	6	5.2	-	-	96	36	18	48	2	137
GN 136-NI-45-30-C	45	30	3	-	4	6.4	33	18	9	-	1.5	19
GN 136-NI-60-30-C	60	30	3	-	4	6.4	48	18	9	24	1.5	24
GN 136-NI-60-40-C	60	40	4	-	5	8.3	45	25	12.5	-	2	44
GN 136-NI-75-50-C	75	50	6	-	5	8.3	55	30	15	-	2	78
GN 136-NI-80-40-C	80	40	4	-	5	8.3	65	25	12.5	32.5	2	56
GN 136-NI-90-60-C	90	60	6	-	5	8.3	66	36	18	-	2	108
GN 136-NI-100-50-C	100	50	6	-	5	8.3	80	30	15	40	2	96
GN 136-NI-120-60-C	120	60	6	-	5	8.3	96	36	18	48	2	134

X-ON Electronics

Largest Supplier of Electrical and Electronic Components

Click to view similar products for [Mounting Fixings](#) category:

Click to view products by [Elesa & Ganter](#) manufacturer:

Other Similar products are found below :

[5912235-1 REV](#) - [71-215091-8S](#) [71-344699-4S](#) [75-69211-3P](#) [75-69214-6P](#) [75-69224-28P](#) [75-69232-17S](#) [7717-8DAP](#) [85043GULPR](#)
[85048GBESR](#) [PMS27488-001-01](#) [1-18023-0](#) [H-118-2](#) [1301790551](#) [1302263564](#) [BR16A](#) [NT20SATT01](#) [22594-8](#) [89078GBESR](#)
[9150700000](#) [SF4011-60101](#) [1671](#) [1855-54](#) [1996901-1](#) [2079844-1](#) [2193](#) [2518](#) [H-118-1](#) [BACC47CN2S](#) [LF9Z-1SB22](#) [WMLX-109](#)
[ELXA051G1](#) [2547](#) [1453315-11](#) [71-452350-8S](#) [71-572965-8S](#) [75-69214-7J](#) [75-69224-28G](#) [75-69811-3S](#) [H373247-15](#) [81517301](#) [P954-1](#)
[860099-1](#) [1189-90](#) [1106352-2](#) [M39014/01-1570](#) [30809-700](#) [6024](#) [197-007](#) [BRKT-ND](#)