

Telescopic slides

with full extension, load capacity up to 510 N

SPECIFICATION

Type

Type **F**: with rubber stop, locking device in back. detach function

Identification no.

No. **1**: Fastening using through-holes

Slide profile

Steel, zinc plated, blue passivated **ZB**

Bearings

Roller bearing steel, hardened

Ball cage, outer slide

Steel, zinc plated

Ball cage, inner slide

Steel, zinc plated

Rubber stop and detach function

Plastic / Elastomer

Operating temperature -20 °C to 100 °C



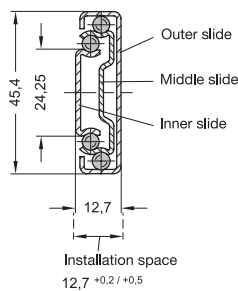
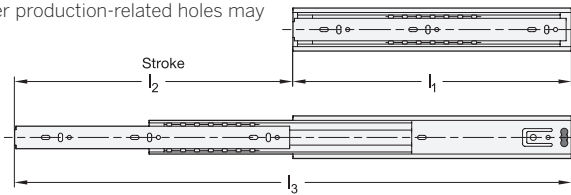
INFORMATION

Telescopic slides GN 1410 are installed vertically and in pairs. The stroke reaches $\approx 100\%$ of the nominal length l_1 (full extension).

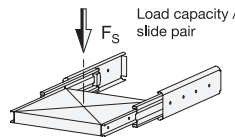
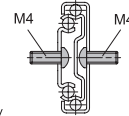
The telescopic slides are delivered in **pairs**. They can be installed on the extension on either the left or right side due to the mechanics. All mounting holes are easy to reach through auxiliary holes. Only the mounting holes are shown, but other production-related holes may be present.

ON REQUEST

- other lengths and hole spacing
- other attachment options
- other surfaces



Fastening screws

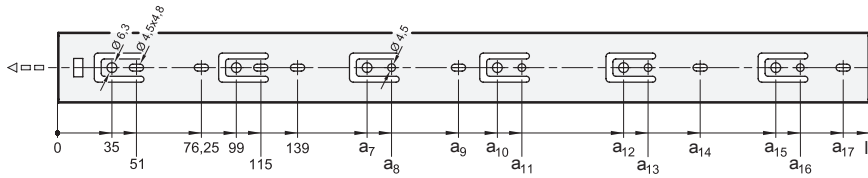


GN 1410

Description	l_1	$l_2 + 3/-3$	l_3	F_s per pair in N at 10,000 cycles	F_s per pair in N at 100,000 cycles	
GN 1410-250-F-1-ZB	250*	250	500	450	320	700
GN 1410-300-F-1-ZB	300*	300	600	460	340	880
GN 1410-350-F-1-ZB	350*	350	700	480	360	1040
GN 1410-400-F-1-ZB	400*	400	800	510	390	1200
GN 1410-450-F-1-ZB	450*	450	900	510	390	1480
GN 1410-500-F-1-ZB	500*	500	1000	480	360	1520
GN 1410-550-F-1-ZB	550*	550	1100	460	340	1630
GN 1410-600-F-1-ZB	600*	600	1200	440	340	1840
GN 1410-650-F-1-ZB	650*	650	1300	420	320	2040
GN 1410-700-F-1-ZB	700*	700	1400	420	320	2160
GN 1410-750-F-1-ZB	750*	750	1500	400	300	2250
GN 1410-800-F-1-ZB	800*	800	1600	400	300	2400

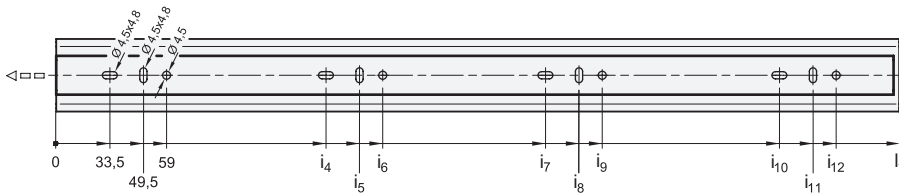
* The telescopic slides are delivered in pairs.

Mounting holes - Outer slide



l1	a7	a8	a9	a10	a11	a12	a13	a14	a15	a16	a17
250	183	199	-	-	-	-	-	-	-	-	-
300	259	275	-	-	-	-	-	-	-	-	-
350	259	275	309	-	-	-	-	-	-	-	-
400	259	275	-	323	339	-	-	373	-	-	-
450	259	275	361.5	387	403	-	-	-	-	-	-
500	259	275	361.5	387	403	451	467	-	-	-	-
550	259	275	361.5	387	403	451	467	501	-	-	-
600	259	275	361.5	387	403	515	531	565	-	-	-
650	259	275	361.5	387	403	579	595	629	-	-	-
700	259	275	361.5	387	403	579	595	629	-	-	-
750	259	275	361.5	387	403	547	563	597	643	659	693
800	259	275	361.5	387	403	579	595	629	707	723	757

Mounting holes - Inner slide



l1	i4	i5	i6	i7	i8	i9	i10	i11	i12
250	209.5	225.5	235	-	-	-	-	-	-
300	129.5	145.5	155	257.5	273.5	283	-	-	-
350	161.5	177.5	187	289.5	305.5	315	-	-	-
400	193.5	209.5	219	353.5	369.5	379	-	-	-
450	193.5	209.5	219	385.5	401.5	411	-	-	-
500	225.5	241.5	251	449.5	465.5	475	-	-	-
550	257.5	273.5	283	481.5	497.5	507	-	-	-
600	289.5	305.5	315	545.5	561.5	571	-	-	-
650	321.5	337.5	347	609.5	625.5	635	-	-	-
700	321.5	337.5	347	609.5	625.5	635	-	-	-
750	193.5	209.5	219	321.5	337.5	347	673.5	689.5	699
800	193.5	209.5	219	353.5	369.5	379	705.5	721.5	731

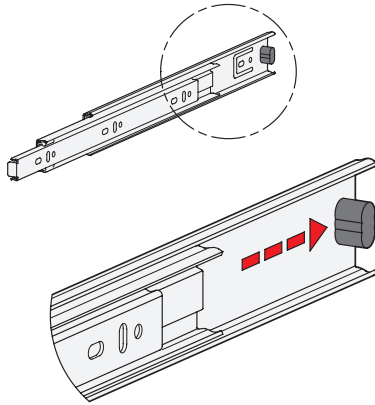
Fastening screws

For the said loading forces F_s to be absorbed reliably in the surrounding structure, all available through-holes of the outer and inner slide having a diameter (\emptyset) of 4.5 must be used. Alternatively, the outer slide has holes with a diameter (\emptyset) of 6.3 for Euro screws. The elongated holes, $\emptyset 4.5 \times 4.8$, are used likewise for fastening and facilitate adjustment during mounting when needed. Failure to use fastening screws reduces the specified load capacity accordingly. The following screws can be used for mounting:

Designation - standard	Outer slide	Inner slide
Hexagon socket button head screw ISO 7380	M 4	M 4
Pan head screw, Phillips ISO 7045	M 4	M 4
Pan head tapping screw, Phillips ISO 7049	ST 3.9 / 4.2	ST 3.9 / 4.2



Rubber stop, locking device in back

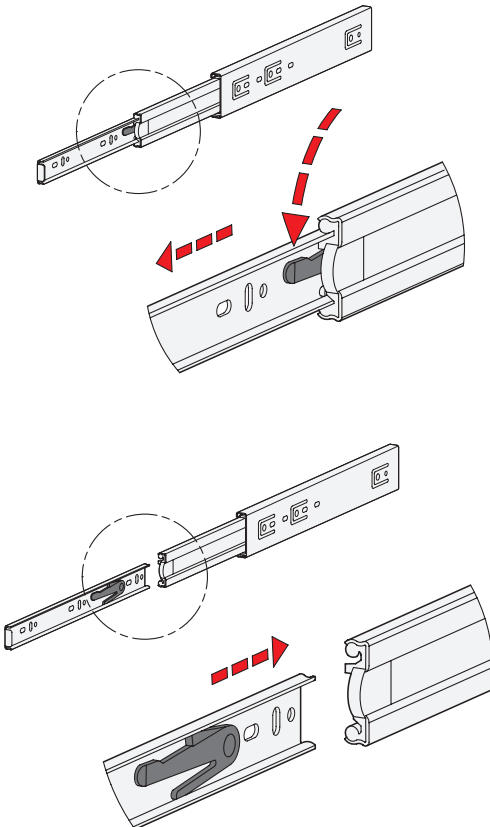


The rubber stops of type F dampen the impact of the slide in the respective end position. This feature minimizes noise development and increases the lifespan. Attached to the slides in a partially concealed, partially visible manner, the stops meet each of the requirements in regard to shape, material, and hardness.

In the back stop position, the rubber stop takes on additionally a locking function, which is noticeable through a slight resistance on opening and closing.

If larger static or dynamic loads occur in the direction of extension, they should be absorbed by external stop elements.

Detach function



Type F has additionally a detach function through which the extension slides can be completely separated from one another in the area of the middle and inner slide. This feature not only facilitates mounting. It also allows the extension to be quickly removed, for example, when frequent maintenance work is performed on the components located behind.

The telescopic slide can be quickly and easily detached in the extracted position through activation of the release lever, allowing the inner slide to be removed from the front.

For reattaching the slides, the ball cages need to be moved to the front end position. Then the inner slide is inserted to the back end stop where it locks into place automatically.

The protected arrangement of the release mechanism prevents accidental detachment of the slide.

X-ON Electronics

Largest Supplier of Electrical and Electronic Components

Click to view similar products for [Headers & Wire Housings](#) category:

Click to view products by [Elesa & Ganter](#) manufacturer:

Other Similar products are found below :

[0015917161](#) [0022155065](#) [57102-F02-18ULF](#) [58102-G61-06LF](#) [582553-1](#) [01.001.5753.1](#) [0050291907](#) [02.125.8002.8](#) [609-3404](#) [61062-3](#)
[CSU011177004](#) [622-0430](#) [622-3653LF](#) [63453-116](#) [636-1030](#) [636-1427](#) [636-3427](#) [636-4007](#) [641938-9](#) [644827-2](#) [65495-038](#) [65692-001LF](#)
[65781-018](#) [65781-047](#) [65817-010LF](#) [65817-015LF](#) [67095-007LF](#) [67601157](#) [68631-112](#) [68645-018](#) [699319-000](#) [70.362.1628.0](#) [70-4210](#) [70-4226B](#) [70-4853B](#) [71.350.2428.0](#) [733-134](#) [733-162](#) [760-3052](#) [MHR-64-VUAL](#) [80.063.4001.1](#) [800-90-001-10-001000](#) [801-43-002-10-013000](#)
[801-43-006-10-002000](#) [803-43-024-10-001000](#) [803-93-012-10-001000](#) [8-1437020-4](#) [819-22-004-30-001101](#) [820-22-006-30-001101](#)
[821-22-002-10-001101](#)