

Adjustable tension levers

Steel, blackened

SPECIFICATION

Types

- Type **E**: angled lever
- Type **D**: straight lever

Steel

blackened

Tensile strength class 5.8

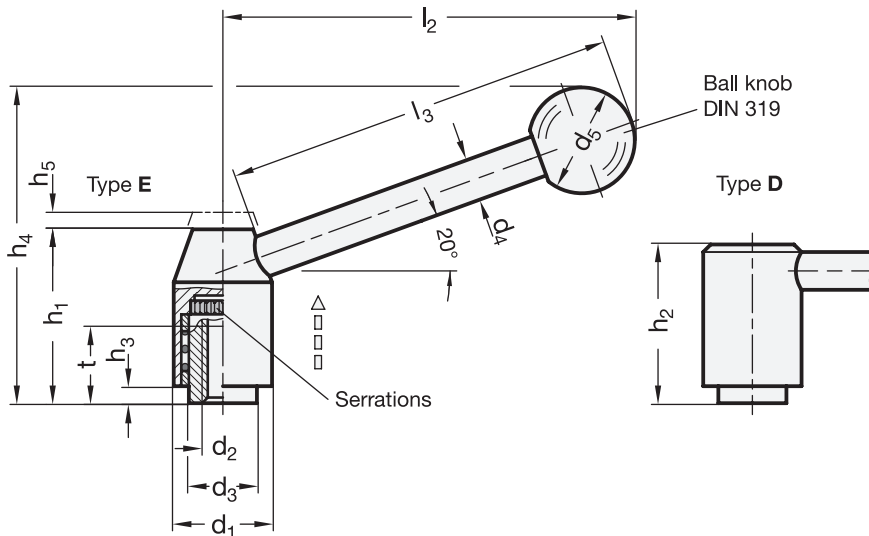
Ball knobs DIN 319 (see page 538)

Plastic, Duroplast
black, shiny finish

INFORMATION

Adjustable tension levers GN 212.3 have proved to be ideal whenever parts have to be clamped in a confined space or a particular lever position is required. The threaded insert is connected with the hub via serrations which can be disengaged.

Pulling the lever, disengages the serrations and allowing it to be swivelled to the ideal clamping position. On releasing the lever it will automatically re-engage.



* Complete with type of the Adjustable tension levers (E or D)

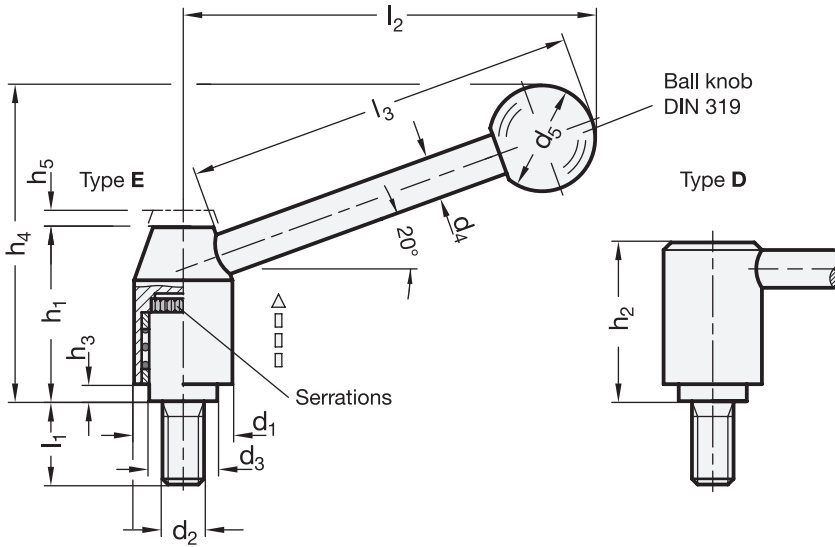
E Angled lever
D Straight lever

GN 212.3-with threaded insert

Description	d1	d2	d3	d4	d5	h1	h2	h3	h4 ≈ Type E	h4 ≈ Type D	h5	l2 ≈ Type E	l2 ≈ Type D	l3 ≈	t min.	⚖
GN 212.3-21-M6-*	21	M 6	13.5	8	20	33.5	31	1	59	36	4	75	80.5	70	11	97
GN 212.3-21-M8-*	21	M 8	13.5	8	20	33.5	31	1	59	36	4	75	80.5	70	11	93
GN 212.3-24-M8-*	24	M 8	16	10	25	40	37	2.5	75	43.5	4.5	101	108	96	14	161
GN 212.3-24-M10-*	24	M 10	16	10	25	40	37	2.5	75	43.5	4.5	101	108	96	14	157
GN 212.3-28-M10-*	28	M 10	19	12	30	48.5	44.5	4.5	89	52.5	4.5	116	124	110	17	264
GN 212.3-28-M12-*	28	M 12	19	12	30	48.5	44.5	4.5	89	52.5	4.5	116	124	110	17	258
GN 212.3-33-M12-*	33	M 12	23	12	32	55	51.5	6	100.5	60	5.5	131.5	140.5	124	22	381
GN 212.3-33-M14-*	33	M 14	23	12	32	55	51.5	6	100.5	60	5.5	131.5	140.5	124	22	373
GN 212.3-33-M16-*	33	M 16	23	12	32	55	51.5	6	100.5	60	5.5	131.5	140.5	124	22	364
GN 212.3-40-M16-*	40	M 16	28	14	35	68	64	6	118	71.5	5.5	148	158	138	36	638
GN 212.3-40-M20-*	40	M 20	28	14	35	68	64	6	118	71.5	5.5	148	158	138	36	608

Weight type E





* Complete with type of the Adjustable tension levers (E or D)

E Angled lever D Straight lever

GN 212.3-with threaded stud

Description	d1	d2	l1	d3	d4	d5	h1	h2	h3	h4 ≈ Type E	h4 ≈ Type D	h5	l2 ≈ Type E	l2 ≈ Type D	l3 ≈	⚖
GN 212.3-21-M8-12-*	21	M 8	12	13.5	8	20	33.5	31	1	59	36	4	75	80.5	70	103
GN 212.3-21-M8-16-*	21	M 8	16	13.5	8	20	33.5	31	1	59	36	4	75	80.5	70	104
GN 212.3-21-M8-20-*	21	M 8	20	13.5	8	20	33.5	31	1	59	36	4	75	80.5	70	105
GN 212.3-21-M8-25-*	21	M 8	25	13.5	8	20	33.5	31	1	59	36	4	75	80.5	70	107
GN 212.3-21-M8-32-*	21	M 8	32	13.5	8	20	33.5	31	1	59	36	4	75	80.5	70	109
GN 212.3-21-M8-40-*	21	M 8	40	13.5	8	20	33.5	31	1	59	36	4	75	80.5	70	112
GN 212.3-21-M8-50-*	21	M 8	50	13.5	8	20	33.5	31	1	59	36	4	75	80.5	70	114
GN 212.3-21-M8-63-*	21	M 8	63	13.5	8	20	33.5	31	1	59	36	4	75	80.5	70	119
GN 212.3-21-M10-20-*	21	M 10	20	13.5	8	20	33.5	31	1	59	36	4	75	80.5	70	108
GN 212.3-21-M10-25-*	21	M 10	25	13.5	8	20	33.5	31	1	59	36	4	75	80.5	70	111
GN 212.3-21-M10-32-*	21	M 10	32	13.5	8	20	33.5	31	1	59	36	4	75	80.5	70	115
GN 212.3-21-M10-40-*	21	M 10	40	13.5	8	20	33.5	31	1	59	36	4	75	80.5	70	117
GN 212.3-21-M10-50-*	21	M 10	50	13.5	8	20	33.5	31	1	59	36	4	75	80.5	70	122
GN 212.3-21-M10-63-*	21	M 10	63	13.5	8	20	33.5	31	1	59	36	4	75	80.5	70	126
GN 212.3-21-M10-80-*	21	M 10	80	13.5	8	20	33.5	31	1	59	36	4	75	80.5	70	136
GN 212.3-24-M10-16-*	24	M 10	16	16	10	25	40	37	2.5	75	43.5	4.5	101	108	96	174
GN 212.3-24-M10-20-*	24	M 10	20	16	10	25	40	37	2.5	75	43.5	4.5	101	108	96	175
GN 212.3-24-M10-25-*	24	M 10	25	16	10	25	40	37	2.5	75	43.5	4.5	101	108	96	177
GN 212.3-24-M10-32-*	24	M 10	32	16	10	25	40	37	2.5	75	43.5	4.5	101	108	96	180
GN 212.3-24-M10-40-*	24	M 10	40	16	10	25	40	37	2.5	75	43.5	4.5	101	108	96	184
GN 212.3-24-M10-50-*	24	M 10	50	16	10	25	40	37	2.5	75	43.5	4.5	101	108	96	190
GN 212.3-24-M10-63-*	24	M 10	63	16	10	25	40	37	2.5	75	43.5	4.5	101	108	96	197
GN 212.3-24-M10-80-*	24	M 10	80	16	10	25	40	37	2.5	75	43.5	4.5	101	108	96	204

Weight type E



Clamping levers 1



Clamping levers

*Complete with type of the Adjustable tension levers (E or D)

E **D**
 Angled lever Straight lever

GN 212.3-with threaded stud

Description	d1	d2	l1	d3	d4	d5	h1	h2	h3	h4 ≈ Type E	h4 ≈ Type D	h5	l2 ≈ Type E	l2 ≈ Type D	l3 ≈	⚖️
GN 212.3-24-M12-25-*	24	M 12	25	16	10	25	40	37	2.5	75	43.5	4.5	101	108	96	183
GN 212.3-24-M12-32-*	24	M 12	32	16	10	25	40	37	2.5	75	43.5	4.5	101	108	96	188
GN 212.3-24-M12-40-*	24	M 12	40	16	10	25	40	37	2.5	75	43.5	4.5	101	108	96	194
GN 212.3-24-M12-50-*	24	M 12	50	16	10	25	40	37	2.5	75	43.5	4.5	101	108	96	201
GN 212.3-24-M12-63-*	24	M 12	63	16	10	25	40	37	2.5	75	43.5	4.5	101	108	96	209
GN 212.3-24-M12-80-*	24	M 12	80	16	10	25	40	37	2.5	75	43.5	4.5	101	108	96	217
GN 212.3-28-M10-16-*	28	M 10	16	19	12	30	48.5	44.5	4.5	89	52.5	4.5	116	124	110	277
GN 212.3-28-M10-20-*	28	M 10	20	19	12	30	48.5	44.5	4.5	89	52.5	4.5	116	124	110	280
GN 212.3-28-M10-25-*	28	M 10	25	19	12	30	48.5	44.5	4.5	89	52.5	4.5	116	124	110	285
GN 212.3-28-M10-32-*	28	M 10	32	19	12	30	48.5	44.5	4.5	89	52.5	4.5	116	124	110	289
GN 212.3-28-M10-40-*	28	M 10	40	19	12	30	48.5	44.5	4.5	89	52.5	4.5	116	124	110	311
GN 212.3-28-M10-50-*	28	M 10	50	19	12	30	48.5	44.5	4.5	89	52.5	4.5	116	124	110	312
GN 212.3-28-M10-63-*	28	M 10	63	19	12	30	48.5	44.5	4.5	89	52.5	4.5	116	124	110	312
GN 212.3-28-M12-16-*	28	M 12	16	19	12	30	48.5	44.5	4.5	89	52.5	4.5	116	124	110	286
GN 212.3-28-M12-20-*	28	M 12	20	19	12	30	48.5	44.5	4.5	89	52.5	4.5	116	124	110	287
GN 212.3-28-M12-25-*	28	M 12	25	19	12	30	48.5	44.5	4.5	89	52.5	4.5	116	124	110	292
GN 212.3-28-M12-32-*	28	M 12	32	19	12	30	48.5	44.5	4.5	89	52.5	4.5	116	124	110	297
GN 212.3-28-M12-40-*	28	M 12	40	19	12	30	48.5	44.5	4.5	89	52.5	4.5	116	124	110	302
GN 212.3-28-M12-50-*	28	M 12	50	19	12	30	48.5	44.5	4.5	89	52.5	4.5	116	124	110	309
GN 212.3-28-M12-63-*	28	M 12	63	19	12	30	48.5	44.5	4.5	89	52.5	4.5	116	124	110	319
GN 212.3-28-M12-80-*	28	M 12	80	19	12	30	48.5	44.5	4.5	89	52.5	4.5	116	124	110	330
GN 212.3-33-M12-25-*	33	M 12	25	23	12	32	55	51.5	6	100.5	60	5.5	131.5	140.5	124	428
GN 212.3-33-M12-32-*	33	M 12	32	23	12	32	55	51.5	6	100.5	60	5.5	131.5	140.5	124	431
GN 212.3-33-M12-40-*	33	M 12	40	23	12	32	55	51.5	6	100.5	60	5.5	131.5	140.5	124	431
GN 212.3-33-M12-50-*	33	M 12	50	23	12	32	55	51.5	6	100.5	60	5.5	131.5	140.5	124	438
GN 212.3-33-M12-63-*	33	M 12	63	23	12	32	55	51.5	6	100.5	60	5.5	131.5	140.5	124	446
GN 212.3-33-M16-32-*	33	M 16	32	23	12	32	55	51.5	6	100.5	60	5.5	131.5	140.5	124	440
GN 212.3-33-M16-40-*	33	M 16	40	23	12	32	55	51.5	6	100.5	60	5.5	131.5	140.5	124	451
GN 212.3-33-M16-50-*	33	M 16	50	23	12	32	55	51.5	6	100.5	60	5.5	131.5	140.5	124	463
GN 212.3-33-M16-63-*	33	M 16	63	23	12	32	55	51.5	6	100.5	60	5.5	131.5	140.5	124	482
GN 212.3-33-M16-80-*	33	M 16	80	23	12	32	55	51.5	6	100.5	60	5.5	131.5	140.5	124	504
GN 212.3-40-M16-40-*	40	M 16	40	28	14	35	68	64	6	118	71.5	5.5	148	158	138	743
GN 212.3-40-M16-50-*	40	M 16	50	28	14	35	68	64	6	118	71.5	5.5	148	158	138	757
GN 212.3-40-M16-63-*	40	M 16	63	28	14	35	68	64	6	118	71.5	5.5	148	158	138	772
GN 212.3-40-M16-80-*	40	M 16	80	28	14	35	68	64	6	118	71.5	5.5	148	158	138	797
GN 212.3-40-M20-40-*	40	M 20	40	28	14	35	68	64	6	118	71.5	5.5	148	158	138	777
GN 212.3-40-M20-50-*	40	M 20	50	28	14	35	68	64	6	118	71.5	5.5	148	158	138	780
GN 212.3-40-M20-63-*	40	M 20	63	28	14	35	68	64	6	118	71.5	5.5	148	158	138	824
GN 212.3-40-M20-80-*	40	M 20	80	28	14	35	68	64	6	118	71.5	5.5	148	158	138	856

Weight type E

X-ON Electronics

Largest Supplier of Electrical and Electronic Components

Click to view similar products for [Bench Top Tools](#) category:

Click to view products by [Elesa & Ganter](#) manufacturer:

Other Similar products are found below :

[63801-7271](#) [5-690451-2](#) [570416-000](#) [59737-3](#) [6-1372442-6](#) [6-21084-7](#) [6-2119582-2](#) [63801-4462](#) [63801-7269](#) [639029070](#) [679527-1](#) [68284-1](#) [690223-2](#) [691530-1](#) [7-18023-8](#) [768514-1](#) [768539-1](#) [768597-1](#) [809696-1](#) [810408](#) [811070-1](#) [819347-1](#) [852772-1](#) [853858-1](#) [854130-1](#) [854178-1](#) [854946-1](#) [854946-2](#) [856189-1](#) [904262-1](#) [904449-1](#) [9-1633962-3](#) [9-1633962-4](#) [9-1633962-5](#) [9-22279-4](#) [9-22280-9](#) [970609-000](#) [986096-2](#) [1-1901695-2](#) [1-1901696-2](#) [992438-3](#) [1-1976053-3](#) [1-2119644-2](#) [1-2119644-3](#) [1-2119791-1](#) [1-25022-4](#) [125327-000](#) [122760-1](#) [1-23470-5](#) [126379-1](#)