

Stainless Steel-Assembly pins

SPECIFICATION

Types

- Type **B**: with plain washer
- Type **E**: with washer with eyelet, suitable for key rings
- Type **L**: with washer, with mounting shackle (only identification no.1)

Identification no.

- No. **1**: without cross hole
- No. **2**: with cross hole for spring cotter pin GN 1024 (see page 909)

Assembly pin
Stainless Steel AISI 304 **NI**

Washer
Stainless Steel

- Type B: turned AISI 304
- Type E: metal injection molded AISI 316 LHC
- Type L: sintered AISI 316 LHC

Countersunk screw DIN 7991
Stainless Steel AISI 304
not removable

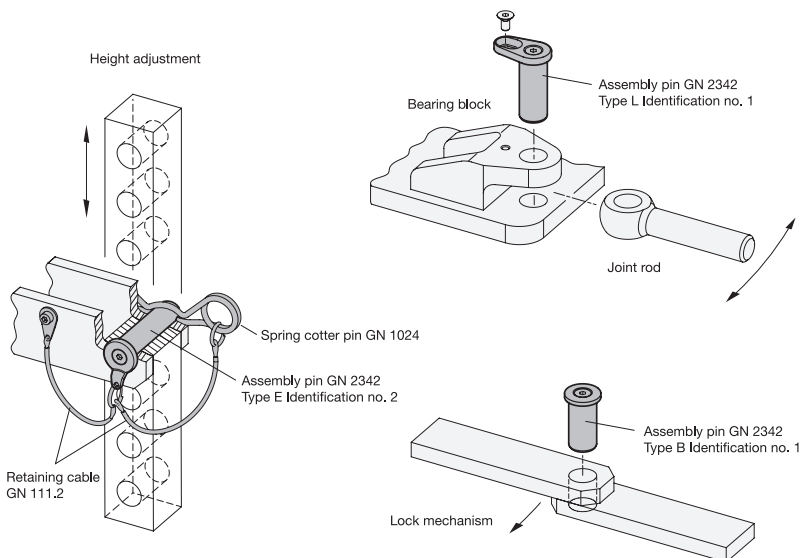


INFORMATION

GN 2342 Stainless Steel-Assembly pins are characterized by their use in diverse applications.

Depending on the requirement there are three washer types to choose from, which place the assembly pin in an axial position in its insertion direction. With the washer with eyelet (Type E) the assembly pin can be secured to prevent loss using a retaining cable or ball chain. The washer with mounting shackle (Type L) simultaneously acts as loss protection and anti-rotation protection. Assembly pins according to identification no. 2 are secured against falling out via a transverse drill hole which is aligned to the GN 1024 (see page 909).

APPLICATION EXAMPLE

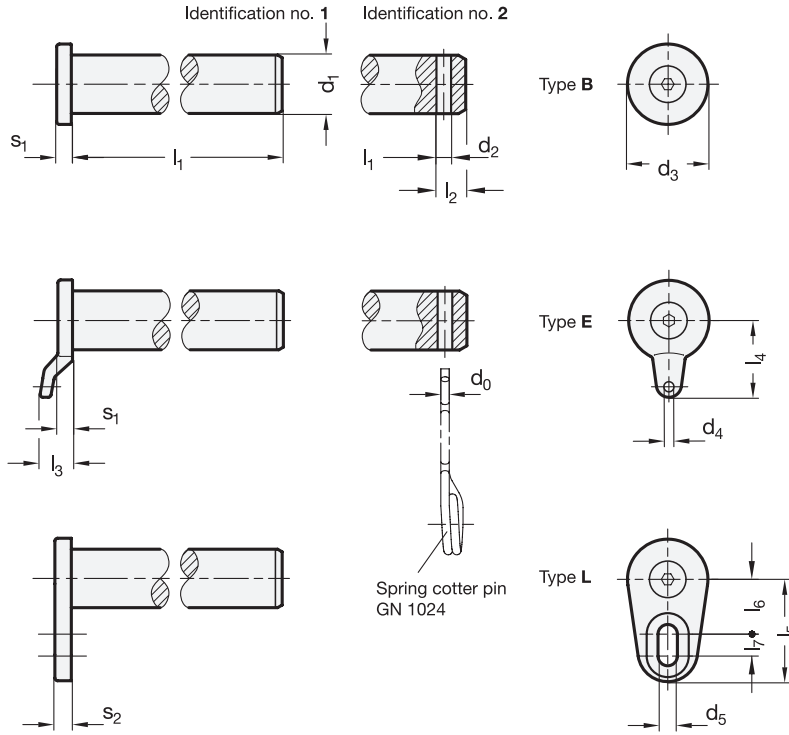


ACCESSORY

- Spring cotter pins GN 1024 (see page 909)
- Ball chains GN 111 (see page 904)
- Retaining cables GN 111.2 (see page 906)
- Key rings GN 111.3 (see page 903)

TECHNICAL INFORMATION

- Stainless Steel characteristics (see page A26)



* Complete with type index of the Stainless Steel-Assembly Pins (B, E or L)
B E L**

GN 2342

STAINLESS STEEL

Description	d1 h9	l1	d2	d3	d4	d5	l2	l3	l4	l5	l6	l7	s1	s2	Suitable spring cotter pins for Identification no. 2	⚖️
GN 2342-NI-8-16-*-1	8	16	-	12	2.5	4.3	5.5	7	13.5	18	10	2	3	4	-	10
GN 2342-NI-8-16-*-2	8**	16	2.5	12	2.5	-	5.5	7	13.5	-	-	-	3	4	GN 1024-NI-2-D	12
GN 2342-NI-8-20-*-1	8	20	-	12	2.5	4.3	5.5	7	13.5	18	10	2	3	4	-	11
GN 2342-NI-8-20-*-2	8**	20	2.5	12	2.5	-	5.5	7	13.5	-	-	-	3	4	GN 1024-NI-2-D	13
GN 2342-NI-8-24-*-1	8	24	-	12	2.5	4.3	5.5	7	13.5	18	10	2	3	4	-	13
GN 2342-NI-8-24-*-2	8**	24	2.5	12	2.5	-	5.5	7	13.5	-	-	-	3	4	GN 1024-NI-2-D	15
GN 2342-NI-8-28-*-1	8	28	-	12	2.5	4.3	5.5	7	13.5	18	10	2	3	4	-	14
GN 2342-NI-8-28-*-2	8**	28	2.5	12	2.5	-	5.5	7	13.5	-	-	-	3	4	GN 1024-NI-2-D	16
GN 2342-NI-8-30-*-1	8	30	-	12	2.5	4.3	5.5	7	13.5	18	10	2	3	4	-	15
GN 2342-NI-8-30-*-2	8**	30	2.5	12	2.5	-	5.5	7	13.5	-	-	-	3	4	GN 1024-NI-2-D	17
GN 2342-NI-8-32-*-1	8	32	-	12	2.5	4.3	5.5	7	13.5	18	10	2	3	4	-	16
GN 2342-NI-8-32-*-2	8**	32	2.5	12	2.5	-	5.5	7	13.5	-	-	-	3	4	GN 1024-NI-2-D	18
GN 2342-NI-8-35-*-1	8	35	-	12	2.5	4.3	5.5	7	13.5	18	10	2	3	4	-	17
GN 2342-NI-8-35-*-2	8**	35	2.5	12	2.5	-	5.5	7	13.5	-	-	-	3	4	GN 1024-NI-2-D	19
GN 2342-NI-8-40-*-1	8	40	-	12	2.5	4.3	5.5	7	13.5	18	10	2	3	4	-	19
GN 2342-NI-8-40-*-2	8**	40	2.5	12	2.5	-	5.5	7	13.5	-	-	-	3	4	GN 1024-NI-2-D	21
GN 2342-NI-8-45-*-1	8	45	-	12	2.5	4.3	5.5	7	13.5	18	10	2	3	4	-	21
GN 2342-NI-8-45-*-2	8**	45	2.5	12	2.5	-	5.5	7	13.5	-	-	-	3	4	GN 1024-NI-2-D	23
GN 2342-NI-8-50-*-1	8	50	-	12	2.5	4.3	5.5	7	13.5	18	10	2	3	4	-	23
GN 2342-NI-8-50-*-2	8**	50	2.5	12	2.5	-	5.5	7	13.5	-	-	-	3	4	GN 1024-NI-2-D	25
GN 2342-NI-8-55-*-1	8	55	-	12	2.5	4.3	5.5	7	13.5	18	10	2	3	4	-	25
GN 2342-NI-8-55-*-2	8**	55	2.5	12	2.5	-	5.5	7	13.5	-	-	-	3	4	GN 1024-NI-2-D	27
GN 2342-NI-8-60-*-1	8	60	-	12	2.5	4.3	5.5	7	13.5	18	10	2	3	4	-	27
GN 2342-NI-8-60-*-2	8**	60	2.5	12	2.5	-	5.5	7	13.5	-	-	-	3	4	GN 1024-NI-2-D	29

** This type (L) is only available in Identification no. 1



Indexing elements



* Complete with type index of the Stainless Steel-Assembly Pins (B, E or L)

B E L**

GN 2342

STAINLESS STEEL

Description	d1	h9	l1	d2	d3	d4	d5	l2	l3	l4	l5	l6	l7	s1	s2	Suitable spring cotter pins for Identification no. 2	⚖
GN 2342-NI-10-20-*1	10		20	-	15	2.5	4.3	6	7	15	21	11	4	3	4	-	17
GN 2342-NI-10-20-*2	10**		20	2.5	15	2.5	-	6	7	15	-	-	-	3	4	GN 1024-NI-2-E / ...-D	21
GN 2342-NI-10-24-*1	10		24	-	15	2.5	4.3	6	7	15	21	11	4	3	4	-	19
GN 2342-NI-10-24-*2	10**		24	2.5	15	2.5	-	6	7	15	-	-	-	3	4	GN 1024-NI-2-E / ...-D	23
GN 2342-NI-10-30-*1	10		30	-	15	2.5	4.3	6	7	15	21	11	4	3	4	-	23
GN 2342-NI-10-30-*2	10**		30	2.5	15	2.5	-	6	7	15	-	-	-	3	4	GN 1024-NI-2-E / ...-D	27
GN 2342-NI-10-35-*1	10		35	-	15	2.5	4.3	6	7	15	21	11	4	3	4	-	26
GN 2342-NI-10-35-*2	10**		35	2.5	15	2.5	-	6	7	15	-	-	-	3	4	GN 1024-NI-2-E / ...-D	30
GN 2342-NI-10-40-*1	10		40	-	15	2.5	4.3	6	7	15	21	11	4	3	4	-	29
GN 2342-NI-10-40-*2	10**		40	2.5	15	2.5	-	6	7	15	-	-	-	3	4	GN 1024-NI-2-E / ...-D	33
GN 2342-NI-10-45-*1	10		45	-	15	2.5	4.3	6	7	15	21	11	4	3	4	-	32
GN 2342-NI-10-45-*2	10**		45	2.5	15	2.5	-	6	7	15	-	-	-	3	4	GN 1024-NI-2-E / ...-D	36
GN 2342-NI-10-50-*1	10		50	-	15	2.5	4.3	6	7	15	21	11	4	3	4	-	36
GN 2342-NI-10-50-*2	10**		50	2.5	15	2.5	-	6	7	15	-	-	-	3	4	GN 1024-NI-2-E / ...-D	39
GN 2342-NI-10-55-*1	10		55	-	15	2.5	4.3	6	7	15	21	11	4	3	4	-	39
GN 2342-NI-10-55-*2	10**		55	2.5	15	2.5	-	6	7	15	-	-	-	3	4	GN 1024-NI-2-E / ...-D	42
GN 2342-NI-10-60-*1	10		60	-	15	2.5	4.3	6	7	15	21	11	4	3	4	-	42
GN 2342-NI-10-60-*2	10**		60	2.5	15	2.5	-	6	7	15	-	-	-	3	4	GN 1024-NI-2-E / ...-D	44
GN 2342-NI-10-65-*1	10		65	-	15	2.5	4.3	6	7	15	21	11	4	3	4	-	45
GN 2342-NI-10-65-*2	10**		65	2.5	15	2.5	-	6	7	15	-	-	-	3	4	GN 1024-NI-2-E / ...-D	48
GN 2342-NI-10-70-*1	10		70	-	15	2.5	4.3	6	7	15	21	11	4	3	4	-	48
GN 2342-NI-10-70-*2	10**		70	2.5	15	2.5	-	6	7	15	-	-	-	3	4	GN 1024-NI-2-E / ...-D	51
GN 2342-NI-10-80-*1	10		80	-	15	2.5	4.3	6	7	15	21	11	4	3	4	-	54
GN 2342-NI-10-80-*2	10**		80	2.5	15	2.5	-	6	7	15	-	-	-	3	4	GN 1024-NI-2-E / ...-D	58
GN 2342-NI-12-20-*1	12		20	-	17	3	5.3	7	9	18.5	23	12	4	4	4.5	-	25
GN 2342-NI-12-20-*2	12**		20	2.5	17	3	-	7	9	18.5	-	-	-	4	4.5	GN 1024-NI-2-E / ...-D	30
GN 2342-NI-12-24-*1	12		24	-	17	3	5.3	7	9	18.5	23	12	4	4	4.5	-	29
GN 2342-NI-12-24-*2	12**		24	2.5	17	3	-	7	9	18.5	-	-	-	4	4.5	GN 1024-NI-2-E / ...-D	34
GN 2342-NI-12-30-*1	12		30	-	17	3	5.3	7	9	18.5	23	12	4	4	4.5	-	34
GN 2342-NI-12-30-*2	12**		30	2.5	17	3	-	7	9	18.5	-	-	-	4	4.5	GN 1024-NI-2-E / ...-D	39
GN 2342-NI-12-35-*1	12		35	-	17	3	5.3	7	9	18.5	23	12	4	4	4.5	-	45
GN 2342-NI-12-35-*2	12**		35	2.5	17	3	-	7	9	18.5	-	-	-	4	4.5	GN 1024-NI-2-E / ...-D	46
GN 2342-NI-12-40-*1	12		40	-	17	3	5.3	7	9	18.5	23	12	4	4	4.5	-	42
GN 2342-NI-12-40-*2	12**		40	2.5	17	3	-	7	9	18.5	-	-	-	4	4.5	GN 1024-NI-2-E / ...-D	48
GN 2342-NI-12-45-*1	12		45	-	17	3	5.3	7	9	18.5	23	12	4	4	4.5	-	47
GN 2342-NI-12-45-*2	12**		45	2.5	17	3	-	7	9	18.5	-	-	-	4	4.5	GN 1024-NI-2-E / ...-D	53
GN 2342-NI-12-50-*1	12		50	-	17	3	5.3	7	9	18.5	23	12	4	4	4.5	-	51
GN 2342-NI-12-50-*2	12**		50	2.5	17	3	-	7	9	18.5	-	-	-	4	4.5	GN 1024-NI-2-E / ...-D	57
GN 2342-NI-12-55-*1	12		55	-	17	3	5.3	7	9	18.5	23	12	4	4	4.5	-	56
GN 2342-NI-12-55-*2	12**		55	2.5	17	3	-	7	9	18.5	-	-	-	4	4.5	GN 1024-NI-2-E / ...-D	61
GN 2342-NI-12-60-*1	12		60	-	17	3	5.3	7	9	18.5	23	12	4	4	4.5	-	61
GN 2342-NI-12-60-*2	12**		60	2.5	17	3	-	7	9	18.5	-	-	-	4	4.5	GN 1024-NI-2-E / ...-D	66
GN 2342-NI-12-65-*1	12		65	-	17	3	5.3	7	9	18.5	23	12	4	4	4.5	-	65
GN 2342-NI-12-65-*2	12**		65	2.5	17	3	-	7	9	18.5	-	-	-	4	4.5	GN 1024-NI-2-E / ...-D	70
GN 2342-NI-12-70-*1	12		70	-	17	3	5.3	7	9	18.5	23	12	4	4	4.5	-	70
GN 2342-NI-12-70-*2	12**		70	2.5	17	3	-	7	9	18.5	-	-	-	4	4.5	GN 1024-NI-2-E / ...-D	75

** This type (L) is only available in Identification no. 1

* Complete with type index of the Stainless Steel-Assembly Pins (B, E or L)

B E L**

GN 2342

STAINLESS STEEL

Description	d1	h9	l1	d2	d3	d4	d5	l2	l3	l4	l5	l6	l7	s1	s2	Suitable spring cotter pins for Identification no. 2		⚖️
GN 2342-NI-12-80-*1	12	80	-	17	3	5.3	7	9	18.5	23	12	4	4	4	4.5	-	78	
GN 2342-NI-12-80-*2	12**	80	2.5	17	3	-	7	9	18.5	-	-	-	4	4.5	GN 1024-NI-2-E / ...-D	84		
GN 2342-NI-16-32-*1	16	32	-	22	3	5.3	8	9	21	28	15	6	4	4.5	-	62		
GN 2342-NI-16-32-*2	16**	32	3.5	22	3	-	8	9	21	-	-	-	4	4.5	GN 1024-NI-3-E / ...-D	73		
GN 2342-NI-16-35-*1	16	35	-	22	3	5.3	8	9	21	28	15	6	4	4.5	-	67		
GN 2342-NI-16-35-*2	16**	35	3.5	22	3	-	8	9	21	-	-	-	4	4.5	GN 1024-NI-3-E / ...-D	77		
GN 2342-NI-16-40-*1	16	40	-	22	3	5.3	8	9	21	28	15	6	4	4.5	-	74		
GN 2342-NI-16-40-*2	16**	40	3.5	22	3	-	8	9	21	-	-	-	4	4.5	GN 1024-NI-3-E / ...-D	85		
GN 2342-NI-16-45-*1	16	45	-	22	3	5.3	8	9	21	28	15	6	4	4.5	-	82		
GN 2342-NI-16-45-*2	16**	45	3.5	22	3	-	8	9	21	-	-	-	4	4.5	GN 1024-NI-3-E / ...-D	93		
GN 2342-NI-16-50-*1	16	50	-	22	3	5.3	8	9	21	28	15	6	4	4.5	-	90		
GN 2342-NI-16-50-*2	16**	50	3.5	22	3	-	8	9	21	-	-	-	4	4.5	GN 1024-NI-3-E / ...-D	101		
GN 2342-NI-16-55-*1	16	55	-	22	3	5.3	8	9	21	28	15	6	4	4.5	-	98		
GN 2342-NI-16-55-*2	16**	55	3.5	22	3	-	8	9	21	-	-	-	4	4.5	GN 1024-NI-3-E / ...-D	109		
GN 2342-NI-16-60-*1	16	60	-	22	3	5.3	8	9	21	28	15	6	4	4.5	-	106		
GN 2342-NI-16-60-*2	16**	60	3.5	22	3	-	8	9	21	-	-	-	4	4.5	GN 1024-NI-3-E / ...-D	117		
GN 2342-NI-16-65-*1	16	65	-	22	3	5.3	8	9	21	28	15	6	4	4.5	-	114		
GN 2342-NI-16-65-*2	16**	65	3.5	22	3	-	8	9	21	-	-	-	4	4.5	GN 1024-NI-3-E / ...-D	125		
GN 2342-NI-16-70-*1	16	70	-	22	3	5.3	8	9	21	28	15	6	4	4.5	-	122		
GN 2342-NI-16-70-*2	16**	70	3.5	22	3	-	8	9	21	-	-	-	4	4.5	GN 1024-NI-3-E / ...-D	133		
GN 2342-NI-16-80-*1	16	80	-	22	3	5.3	8	9	21	28	15	6	4	4.5	-	138		
GN 2342-NI-16-80-*2	16**	80	3.5	22	3	-	8	9	21	-	-	-	4	4.5	GN 1024-NI-3-E / ...-D	149		
GN 2342-NI-16-90-*1	16	90	-	22	3	5.3	8	9	21	28	15	6	4	4.5	-	154		
GN 2342-NI-16-90-*2	16**	90	3.5	22	3	-	8	9	21	-	-	-	4	4.5	GN 1024-NI-3-E / ...-D	164		
GN 2342-NI-16-100-*1	16	100	-	22	3	5.3	8	9	21	28	15	6	4	4.5	-	170		
GN 2342-NI-16-100-*2	16**	100	3.5	22	3	-	8	9	21	-	-	-	4	4.5	GN 1024-NI-3-E / ...-D	180		
GN 2342-NI-20-40-*1	20	40	-	26	3.5	6.4	10.5	9	24	31	17	6	4	5	-	115		
GN 2342-NI-20-40-*2	20**	40	4.5	26	3.5	-	10.5	9	24	-	-	-	4	5	GN 1024-NI-4-E / ...-D	136		
GN 2342-NI-20-45-*1	20	45	-	26	3.5	6.4	10.5	9	24	31	17	6	4	5	-	126		
GN 2342-NI-20-45-*2	20**	45	4.5	26	3.5	-	10.5	9	24	-	-	-	4	5	GN 1024-NI-4-E / ...-D	158		
GN 2342-NI-20-50-*1	20	50	-	26	3.5	6.4	10.5	9	24	31	17	6	4	5	-	138		
GN 2342-NI-20-50-*2	20**	50	4.5	26	3.5	-	10.5	9	24	-	-	-	4	5	GN 1024-NI-4-E / ...-D	161		
GN 2342-NI-20-55-*1	20	55	-	26	3.5	6.4	10.5	9	24	31	17	6	4	5	-	150		
GN 2342-NI-20-55-*2	20**	55	4.5	26	3.5	-	10.5	9	24	-	-	-	4	5	GN 1024-NI-4-E / ...-D	173		
GN 2342-NI-20-60-*1	20	60	-	26	3.5	6.4	10.5	9	24	31	17	6	4	5	-	163		
GN 2342-NI-20-60-*2	20**	60	4.5	26	3.5	-	10.5	9	24	-	-	-	4	5	GN 1024-NI-4-E / ...-D	186		
GN 2342-NI-20-65-*1	20	65	-	26	3.5	6.4	10.5	9	24	31	17	6	4	5	-	175		
GN 2342-NI-20-65-*2	20**	65	4.5	26	3.5	-	10.5	9	24	-	-	-	4	5	GN 1024-NI-4-E / ...-D	198		
GN 2342-NI-20-70-*1	20	70	-	26	3.5	6.4	10.5	9	24	31	17	6	4	5	-	188		
GN 2342-NI-20-70-*2	20**	70	4.5	26	3.5	-	10.5	9	24	-	-	-	4	5	GN 1024-NI-4-E / ...-D	211		
GN 2342-NI-20-80-*1	20	80	-	26	3.5	6.4	10.5	9	24	31	17	6	4	5	-	212		
GN 2342-NI-20-80-*2	20**	80	4.5	26	3.5	-	10.5	9	24	-	-	-	4	5	GN 1024-NI-4-E / ...-D	235		
GN 2342-NI-20-90-*1	20	90	-	26	3.5	6.4	10.5	9	24	31	17	6	4	5	-	237		
GN 2342-NI-20-90-*2	20**	90	4.5	26	3.5	-	10.5	9	24	-	-	-	4	5	GN 1024-NI-4-E / ...-D	260		
GN 2342-NI-20-100-*1	20	100	-	26	3.5	6.4	10.5	9	24	31	17	6	4	5	-	262		
GN 2342-NI-20-100-*2	20**	100	4.5	26	3.5	-	10.5	9	24	-	-	-	4	5	GN 1024-NI-4-E / ...-D	287		

** This type (L) is only available in Identification no. 1



Indexing elements

X-ON Electronics

Largest Supplier of Electrical and Electronic Components

Click to view similar products for [Elesa & Ganter](#) manufacturer:

Other Similar products are found below :

[LV.A-80-14](#) [8462](#) [GN 114.2-8-50](#) [GN 416-12-46-L1](#) [GN565.2-20-112-SW](#) [GN 648.1-10-M10L-N](#) [GN 648.1-18-M18X1,5-N](#) [GN 648.1-20-M20X1,5-N](#) [GN 842-70-AS](#) [GN851.1-320-T3](#) [DIN 466-M6-NI](#) [DIN 950-GG-200-K18-D](#) [DVA.4-50-40-M10-28-55](#) [DVB.6-20-17-M6-25-55](#) [DVC.2-35-25-34-M8-20-55](#) [ISO 7379-10-M8-55](#) [GN 136-ST-60-60-B](#) [GN 40-80-M12-125-A0-S](#) [GN 40-80-M12-80-A0-S](#) [GN 475-B12-B12-MT](#) [GN 476-B12-B12-A-MT](#) [GN511-M5-16](#) [GN 617-6-A-NI](#) [GN 648.1-8-M8L-N](#) [GN 648.2-10-M10L-N](#) [GN 711-KUS-1000-S-U](#) [GN 743-24-M33X1,5-A](#) [GN 752-12-M12](#) [GN804-M8-70](#) [36701](#) [37193](#) [430113](#) [451651](#) [ISO 7379-10-M8-70](#) [VCT.50 FP-M10](#) [430126](#) [450016](#) [450022](#) [DVA.1-50-20-M10-28-40](#) [54851](#) [6521](#) [6813](#) [CFG.30/60 SH-6](#) [CFM.60 CH-8](#) [CQT/A-32-18 AE-V0](#) [54611](#) [DVA.1-100-75-M16-41-55](#) [DVB.6-38-35-M10-12-70](#) [GN 2180-EPDM-13-D-10](#) [GN 2180-EPDM-15,5-A-10](#)