

Stainless Steel- Retaining washers

SPECIFICATION

Types

- Type E: with eyelet
- Type L: with mounting shackle

Stainless Steel NI

- Type E: metal injection, molded, AISI 316 LHC, ground
- Type L: sintered AISI 316 LHC, ground



INFORMATION

GN 2344 Stainless Steel-Retaining washers are universally usable standard parts.

Type E is suitable for use in connection with retaining cables and ball chains to mount other standard or securing parts in order to prevent loss.

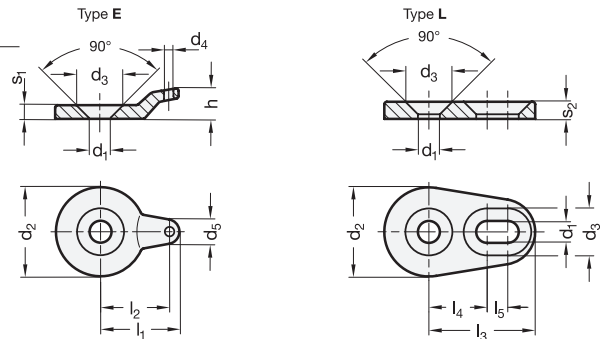
Type L is suitable, for example, for mounting bolts or axes, which can thereby simultaneously be secured in an axial and also in a radial position.

ACCESSORY

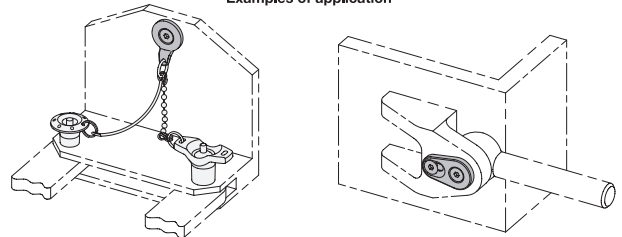
- Ball chains GN 111 (see page 904)
- Stainless Steel-Ball chains GN 111.5 (see page 905)
- Retaining cables GN 111.2 (see page 906)
- Spiral retaining cables GN 111.4 (see page 908)
- Key rings GN 111.3 (see page 903)

TECHNICAL INFORMATION

- Stainless Steel characteristics (see page A26)



Examples of application



GN 2344

STAINLESS STEEL

Description	d1	d2	d3	d4	d5	h	l1	l2	l3	l4	l5	s1	s2	Suitable key rings for type E	
GN 2344-NI-4,3-12-E	4.3	12	9.2	2.5	6	7	13.5	10.8	-	-	-	3	-	Ø14	2
GN 2344-NI-4,3-15-E	4.3	15	9.2	2.5	6.3	7	15	12.3	-	-	-	3	-	Ø14	4
GN 2344-NI-5,3-17-E	5.3	17	11.5	3	7.2	7	18.5	15	-	-	-	4	-	Ø14 Ø18	7
GN 2344-NI-5,3-22-E	5.3	22	11.5	3	7.5	9	21	17.5	-	-	-	4	-	Ø14 Ø18	12
GN 2344-NI-6,4-26-E	6.4	26	13.7	3.5	8.1	9	24	20.3	-	-	-	4	-	Ø14 Ø18 Ø24	15
GN 2344-NI-4,3-12-L	4.3	12	9.2	-	-	-	-	-	18	10	2	-	4	-	5
GN 2344-NI-4,3-15-L	4.3	15	9.2	-	-	-	-	-	21	11	4	-	4	-	7
GN 2344-NI-5,3-17-L	5.3	17	11.5	-	-	-	-	-	23	12	4	-	4.5	-	10
GN 2344-NI-5,3-22-L	5.3	22	11.5	-	-	-	-	-	28	15	6	-	4.5	-	16
GN 2344-NI-6,4-26-L	6.4	26	13.7	-	-	-	-	-	31	17	6	-	5	-	25

X-ON Electronics

Largest Supplier of Electrical and Electronic Components

Click to view similar products for [Elesa & Ganter](#) manufacturer:

Other Similar products are found below :

[11353](#) [13651](#) [13681](#) [13711](#) [13721](#) [13726](#) [13731](#) [137901](#) [141131](#) [141141](#) [141221](#) [141311](#) [141331](#) [141335](#) [141341](#) [141421](#) [141471](#)
[141511](#) [141531](#) [141541](#) [141561](#) [142121](#) [142211](#) [142231](#) [142351](#) [220416-C1](#) [221206-C1](#) [221206-C2](#) [221206-C3](#) [221206-C4](#) [221206-C5](#)
[221206-C6](#) [221221-C1](#) [221221-C2](#) [221221-C3](#) [221221-C4](#) [221221-C5](#) [221221-C6](#) [221226-C1](#) [221406-C1](#) [221406-C3](#) [221426-C1](#) [221436-](#)
[C1](#) [221631-C1](#) [221641-C1](#) [222221-C1](#) [222221-C2](#) [222221-C3](#) [222221-C4](#) [222221-C5](#)