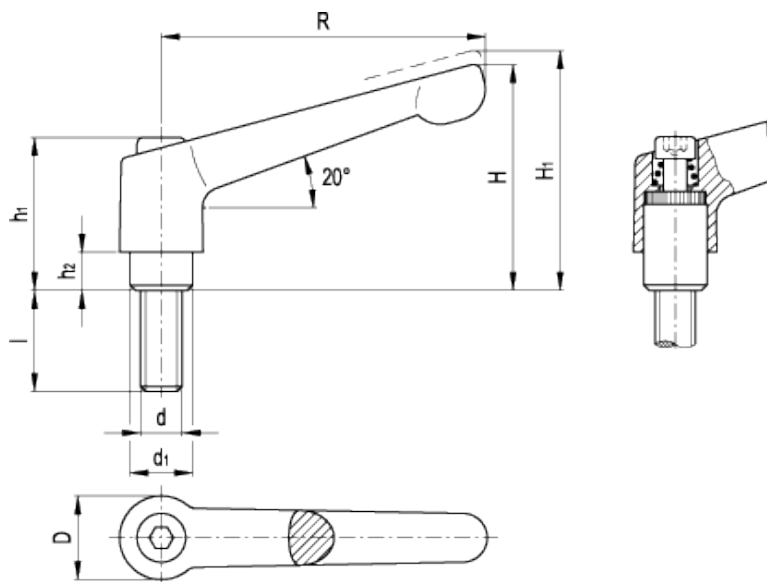


GN 300

Adjustable handles



technical informations

Lever body

Zinc alloy die-cast, epoxy resin coating.

Colour

RAL 9005 black matte finish, RAL 2004 orange, RAL 3000 red textured finish, RAL 9006 silver, RAL 9011 graphite black, chromium-plated, uncoated.

Clamping element

Black-oxide steel threaded stud with toothed element for coupling to the lever body, treated steel retaining screw and return spring.

Special executions on request (For sufficient quantities)

- Lever body in different colours.
- Chrome-plated lever.
- Clamping element with different threadings and lengths.

Features and applications

Particularly suitable when the lever turning angle is limited owing to lack of space.

Instructions of use

For clamping, lift the lever to disengage the clamping device toothing and bring it back to start position. By releasing the lever, the return spring automatically engages the toothing.
If the lever cannot make a 360° rotation, the clamping element can be easily screwed by means of the hexagon socket front head screw (after having disengaged the lever).

SW RAL 9005 OS RAL 2004 RS RAL 3000 SR RAL 9006 SZ RAL 9011



Standard Elements	Main dimensions							Thread		Weight
Description	l ₁	d ₃	d ₄	h ₁	h ₂	h ₃	h ₄	d	l ₂	g
GN 300-30-M3-6-*	30	10	13	24.5	4	31	3.5	M3	6	26
GN 300-30-M3-8-*	30	10	13	24.5	4	31	3.5	M3	8	26
GN 300-30-M3-10-*	30	10	13	24.5	4	31	3.5	M3	10	26
GN 300-30-M3-12-*	30	10	13	24.5	4	31	3.5	M3	12	26
GN 300-30-M3-16-*	30	10	13	24.5	4	31	3.5	M3	16	26
GN 300-30-M4-12-*	30	10	13	24.5	4	31	3.5	M4	12	27
GN 300-30-M4-16-*	30	10	13	24.5	4	31	3.5	M4	16	27
GN 300-30-M4-20-*	30	10	13	24.5	4	31	3.5	M4	20	27
GN 300-30-M4-25-*	30	10	13	24.5	4	31	3.5	M4	25	28
GN 300-30-M4-32-*	30	10	13	24.5	4	31	3.5	M4	32	28
GN 300-30-M5-12-*	30	10	13	24.5	4	31	3.5	M5	12	28
GN 300-30-M5-16-*	30	10	13	24.5	4	31	3.5	M5	16	28
GN 300-30-M5-20-*	30	10	13	24.5	4	31	3.5	M5	20	29
GN 300-30-M5-25-*	30	10	13	24.5	4	31	3.5	M5	25	29
GN 300-30-M5-32-*	30	10	13	24.5	4	31	3.5	M5	32	30
GN 300-30-M5-40-*	30	10	13	24.5	4	31	3.5	M5	40	31
GN 300-30-M5-50-*	30	10	13	24.5	4	31	3.5	M5	50	32
GN 300-30-M6-12-*	30	10	13	24.5	4	31	3.5	M6	12	29
GN 300-30-M6-16-*	30	10	13	24.5	4	31	3.5	M6	16	29
GN 300-30-M6-20-*	30	10	13	24.5	4	31	3.5	M6	20	30
GN 300-30-M6-25-*	30	10	13	24.5	4	31	3.5	M6	25	31
GN 300-30-M6-32-*	30	10	13	24.5	4	31	3.5	M6	32	32
GN 300-30-M6-40-*	30	10	13	24.5	4	31	3.5	M6	40	33
GN 300-30-M6-50-*	30	10	13	24.5	4	31	3.5	M6	50	34
GN 300-45-M4-12-*	45	10	13	24.5	4	35	3.5	M4	12	38
GN 300-45-M4-16-*	45	10	13	24.5	4	35	3.5	M4	16	39
GN 300-45-M4-20-*	45	10	13	24.5	4	35	3.5	M4	20	39
GN 300-45-M4-25-*	45	10	13	24.5	4	35	3.5	M4	25	40
GN 300-45-M4-32-*	45	10	13	24.5	4	35	3.5	M4	32	40
GN 300-45-M5-12-*	45	10	13	24.5	4	35	3.5	M5	12	36

GN 300-45-M5-16-*	45	10	13	24.5	4	35	3.5	M5	16	36
GN 300-45-M5-20-*	45	10	13	24.5	4	35	3.5	M5	20	36
GN 300-45-M5-25-*	45	10	13	24.5	4	35	3.5	M5	25	37
GN 300-45-M5-32-*	45	10	13	24.5	4	35	3.5	M5	32	38
GN 300-45-M5-40-*	45	10	13	24.5	4	35	3.5	M5	40	39
GN 300-45-M5-50-*	45	10	13	24.5	4	35	3.5	M5	50	40
GN 300-45-M6-12-*	45	10	13	24.5	4	35	3.5	M6	12	36
GN 300-45-M6-16-*	45	10	13	24.5	4	35	3.5	M6	16	37
GN 300-45-M6-20-*	45	10	13	24.5	4	35	3.5	M6	20	37
GN 300-45-M6-25-*	45	10	13	24.5	4	35	3.5	M6	25	38
GN 300-45-M6-32-*	45	10	13	24.5	4	35	3.5	M6	32	40
GN 300-45-M6-40-*	45	10	13	24.5	4	35	3.5	M6	40	41
GN 300-45-M6-50-*	45	10	13	24.5	4	35	3.5	M6	50	43
GN 300-63-M6-12-*	63	13.5	17.5	31	6.5	45	4	M6	12	80
GN 300-63-M6-16-*	63	13.5	17.5	31	6.5	45	4	M6	16	80
GN 300-63-M6-20-*	63	13.5	17.5	31	6.5	45	4	M6	20	81
GN 300-63-M6-25-*	63	13.5	17.5	31	6.5	45	4	M6	25	82
GN 300-63-M6-32-*	63	13.5	17.5	31	6.5	45	4	M6	32	83
GN 300-63-M6-40-*	63	13.5	17.5	31	6.5	45	4	M6	40	85
GN 300-63-M6-50-*	63	13.5	17.5	31	6.5	45	4	M6	50	86
GN 300-63-M6-63-*	63	13.5	17.5	31	6.5	45	4	M6	63	88
GN 300-63-M8-12-*	63	13.5	17.5	31	6.5	45	4	M8	12	82
GN 300-63-M8-16-*	63	13.5	17.5	31	6.5	45	4	M8	16	83
GN 300-63-M8-20-*	63	13.5	17.5	31	6.5	45	4	M8	20	84
GN 300-63-M8-25-*	63	13.5	17.5	31	6.5	45	4	M8	25	86
GN 300-63-M8-32-*	63	13.5	17.5	31	6.5	45	4	M8	32	88
GN 300-63-M8-40-*	63	13.5	17.5	31	6.5	45	4	M8	40	91
GN 300-63-M8-50-*	63	13.5	17.5	31	6.5	45	4	M8	50	93
GN 300-63-M8-63-*	63	13.5	17.5	31	6.5	45	4	M8	63	98
GN 300-63-M10-20-*	63	13.5	17.5	31	6.5	45	4	M10	20	87
GN 300-63-M10-25-*	63	13.5	17.5	31	6.5	45	4	M10	25	90
GN 300-63-M10-32-*	63	13.5	17.5	31	6.5	45	4	M10	32	94
GN 300-63-M10-40-*	63	13.5	17.5	31	6.5	45	4	M10	40	96
GN 300-63-M10-50-*	63	13.5	17.5	31	6.5	45	4	M10	50	101
GN 300-63-M10-63-*	63	13.5	17.5	31	6.5	45	4	M10	63	108
GN 300-63-M10-80-*	63	13.5	17.5	31	6.5	45	4	M10	80	118
GN 300-78-M8-16-*	78	16	21	36	8	55	4	M8	16	131
GN 300-78-M8-20-*	78	16	21	36	8	55	4	M8	20	132
GN 300-78-M8-25-*	78	16	21	36	8	55	4	M8	25	133
GN 300-78-M8-32-*	78	16	21	36	8	55	4	M8	32	136
GN 300-78-M8-40-*	78	16	21	36	8	55	4	M8	40	140
GN 300-78-M8-50-*	78	16	21	36	8	55	4	M8	50	143
GN 300-78-M8-63-*	78	16	21	36	8	55	4	M8	63	147
GN 300-78-M8-80-*	78	16	21	36	8	55	4	M8	80	152
GN 300-78-M10-16-*	78	16	21	36	8	55	4	M10	16	137

GN 300-78-M10-20-*	78	16	21	36	8	55	4	M10	20	139
GN 300-78-M10-25-*	78	16	21	36	8	55	4	M10	25	141
GN 300-78-M10-32-*	78	16	21	36	8	55	4	M10	32	142
GN 300-78-M10-40-*	78	16	21	36	8	55	4	M10	40	146
GN 300-78-M10-50-*	78	16	21	36	8	55	4	M10	50	152
GN 300-78-M10-63-*	78	16	21	36	8	55	4	M10	63	159
GN 300-78-M10-80-*	78	16	21	36	8	55	4	M10	80	166
GN 300-78-M12-25-*	78	16	21	36	8	55	4	M12	25	145
GN 300-78-M12-32-*	78	16	21	36	8	55	4	M12	32	150
GN 300-78-M12-40-*	78	16	21	36	8	55	4	M12	40	156
GN 300-78-M12-50-*	78	16	21	36	8	55	4	M12	50	163
GN 300-78-M12-63-*	78	16	21	36	8	55	4	M12	63	171
GN 300-78-M12-80-*	78	16	21	36	8	55	4	M12	80	183
GN 300-92-M10-16-*	92	19	24	43	11	65	4	M10	16	199
GN 300-92-M10-20-*	92	19	24	43	11	65	4	M10	20	202
GN 300-92-M10-25-*	92	19	24	43	11	65	4	M10	25	205
GN 300-92-M10-32-*	92	19	24	43	11	65	4	M10	32	209
GN 300-92-M10-40-*	92	19	24	43	11	65	4	M10	40	213
GN 300-92-M10-50-*	92	19	24	43	11	65	4	M10	50	219
GN 300-92-M10-63-*	92	19	24	43	11	65	4	M10	63	224
GN 300-92-M10-80-*	92	19	24	43	11	65	4	M10	80	235
GN 300-92-M12-16-*	92	19	24	43	11	65	4	M12	16	206
GN 300-92-M12-20-*	92	19	24	43	11	65	4	M12	20	207
GN 300-92-M12-25-*	92	19	24	43	11	65	4	M12	25	212
GN 300-92-M12-32-*	92	19	24	43	11	65	4	M12	32	217
GN 300-92-M12-40-*	92	19	24	43	11	65	4	M12	40	222
GN 300-92-M12-50-*	92	19	24	43	11	65	4	M12	50	229
GN 300-92-M12-63-*	92	19	24	43	11	65	4	M12	63	239
GN 300-92-M12-80-*	92	19	24	43	11	65	4	M12	80	250
GN 300-92-M16-25-*	92	19	24	43	11	65	4	M16	25	226
GN 300-92-M16-32-*	92	19	24	43	11	65	4	M16	32	234
GN 300-92-M16-40-*	92	19	24	43	11	65	4	M16	40	245
GN 300-92-M16-50-*	92	19	24	43	11	65	4	M16	50	259
GN 300-92-M16-63-*	92	19	24	43	11	65	4	M16	63	276
GN 300-92-M16-80-*	92	19	24	43	11	65	4	M16	80	311
GN 300-108-M12-25-*	108	23	30	50.5	12	76	5	M12	25	350
GN 300-108-M12-32-*	108	23	30	50.5	12	76	5	M12	32	356
GN 300-108-M12-40-*	108	23	30	50.5	12	76	5	M12	40	363
GN 300-108-M12-50-*	108	23	30	50.5	12	76	5	M12	50	371
GN 300-108-M12-63-*	108	23	30	50.5	12	76	5	M12	63	383
GN 300-108-M12-80-*	108	23	30	50.5	12	76	5	M12	80	389
GN 300-108-M12-120-*	108	23	30	50.5	12	76	5	M12	120	410
GN 300-108-M16-25-*	108	23	30	50.5	12	76	5	M16	25	355
GN 300-108-M16-32-*	108	23	30	50.5	12	76	5	M16	32	365

GN 300-108-M16-40-*	108	23	30	50.5	12	76	5	M16	40	376
GN 300-108-M16-50-*	108	23	30	50.5	12	76	5	M16	50	388
GN 300-108-M16-63-*	108	23	80	50.5	12	76	5	M16	63	407
GN 300-108-M16-80-*	108	23	30	50.5	12	76	5	M16	80	429
GN 300-108-M16-120-*	108	23	30	50.5	12	76	5	M16	120	476

* Complete the description of the standard item needed by adding the index of the colour of the lever body: SW (black), OS (orange), RS (red matte finish), ,SR (silver), SZ (graphite black), CR (chrome-plated), RH (uncoated).

This product had the following design awards:



ELESA and GANTER models all rights reserved in accordance with the law. Always mention the source when reproducing our drawings.

STANDARD MACHINE ELEMENTS WORLDWIDE

X-ON Electronics

Largest Supplier of Electrical and Electronic Components

Click to view similar products for [Bench Top Tools](#) category:

Click to view products by [Elesa & Ganter](#) manufacturer:

Other Similar products are found below :

[63801-7271](#) [5-690451-2](#) [570416-000](#) [59737-3](#) [6-1372442-6](#) [6-21084-7](#) [6-2119582-2](#) [63801-4462](#) [63801-7269](#) [639029070](#) [679527-1](#) [68284-1](#) [690223-2](#) [691530-1](#) [7-18023-8](#) [768514-1](#) [768539-1](#) [768597-1](#) [809696-1](#) [810408](#) [811070-1](#) [819347-1](#) [852772-1](#) [853858-1](#) [854130-1](#) [854178-1](#) [854946-1](#) [854946-2](#) [856189-1](#) [904262-1](#) [904449-1](#) [9-1633962-3](#) [9-1633962-4](#) [9-1633962-5](#) [9-22279-4](#) [9-22280-9](#) [970609-000](#) [986096-2](#) [1-1901695-2](#) [1-1901696-2](#) [992438-3](#) [1-1976053-3](#) [1-2119644-2](#) [1-2119644-3](#) [1-2119791-1](#) [1-25022-4](#) [125327-000](#) [122760-1](#) [1-23470-5](#) [126379-1](#)