

Flat Adjustable Hand Levers

Zinc Die Casting, Bushing /
Threaded Stud Steel Zinc Plated

SPECIFICATION

Handle

Zinc die casting

Powder coated

Black, RAL 9005, textured finish **SW**

Orange, RAL 2004, textured finish **OS**

Red, RAL 3000, textured finish **RS**

Silver, RAL 9006, textured finish **SR**

Version with bushing

Bushing and retaining screw

Steel zinc plated, blue passivated

Version with threaded stud

Threaded stud and retaining screw

Steel zinc plated, blue passivated

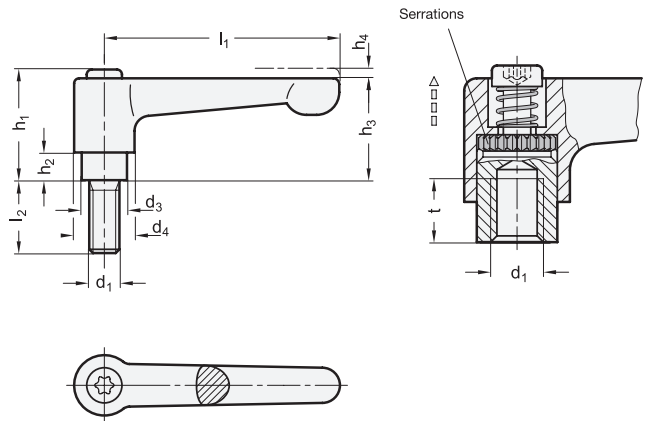


INFORMATION

Adjustable hand levers GN 302.2 have a straight lever, not inclined, being parallel to the clamping space.

Adjustable hand levers are ideal whenever parts have to be clamped in a confined space or in a particular lever position. The centre insert is connected to the lever via serrations which can easily be disengaged.

Pulling the lever, disengages the serrations and allowing it to be swivelled to the ideal clamping position. On releasing the lever the serrations automatically re-engage.



* Complete with color index of the clamping lever body (SW, OS, RS or SR)



GN 302.2-with bushing

Description	l1	d1	d3	d4	h1	h2	h3	h4	t min.	⚖
GN 302.2-22-M3-*	22	M 3	8	10.5	18.5	2	16.5	3	5	13
GN 302.2-22-M4-*	22	M 4	8	10.5	18.5	2	16.5	3	5	13
GN 302.2-22-M5-*	22	M 5	8	10.5	18.5	2	16.5	3	5	12
GN 302.2-30-M4-*	30	M 4	10	13	24.5	4	22	3.5	9	26
GN 302.2-30-M5-*	30	M 5	10	13	24.5	4	22	3.5	9	25
GN 302.2-30-M6-*	30	M 6	10	13	24.5	4	22	3.5	9	24
GN 302.2-45-M4-*	45	M 4	10	13	24.5	4	22	3.5	9	33
GN 302.2-45-M5-*	45	M 5	10	13	24.5	4	22	3.5	9	32
GN 302.2-45-M6-*	45	M 6	10	13	24.5	4	22	3.5	9	31
GN 302.2-63-M6-*	63	M 6	13.5	17.5	31	6.5	28.5	4	11	78
GN 302.2-63-M8-*	63	M 8	13.5	17.5	31	6.5	28.5	4	11	76
GN 302.2-78-M8-*	78	M 8	16	21	36	8	34	4	14	124
GN 302.2-78-M10-*	78	M 10	16	21	36	8	34	4	14	121



3
Clamping levers

* Complete with color index of the clamping lever body (SW, OS, RS or SR)



GN 302.2-with threaded stud

Description	l1	d1	l2	d3	d4	h1	h2	h3	h4	△
GN 302.2-22-M3-6-*	22	M 3	6	8	10.5	18.5	2	16.5	3	13
GN 302.2-22-M3-8-*	22	M 3	8	8	10.5	18.5	2	16.5	3	13
GN 302.2-22-M3-10-*	22	M 3	10	8	10.5	18.5	2	16.5	3	14
GN 302.2-22-M3-12-*	22	M 3	12	8	10.5	18.5	2	16.5	3	14
GN 302.2-22-M3-16-*	22	M 3	16	8	10.5	18.5	2	16.5	3	14
GN 302.2-22-M4-12-*	22	M 4	12	8	10.5	18.5	2	16.5	3	14
GN 302.2-22-M4-16-*	22	M 4	16	8	10.5	18.5	2	16.5	3	15
GN 302.2-22-M4-20-*	22	M 4	20	8	10.5	18.5	2	16.5	3	15
GN 302.2-22-M4-25-*	22	M 4	25	8	10.5	18.5	2	16.5	3	15
GN 302.2-22-M4-32-*	22	M 4	32	8	10.5	18.5	2	16.5	3	16
GN 302.2-22-M5-12-*	22	M 5	12	8	10.5	18.5	2	16.5	3	15
GN 302.2-22-M5-16-*	22	M 5	16	8	10.5	18.5	2	16.5	3	15
GN 302.2-22-M5-20-*	22	M 5	20	8	10.5	18.5	2	16.5	3	16
GN 302.2-22-M5-25-*	22	M 5	25	8	10.5	18.5	2	16.5	3	17
GN 302.2-22-M5-32-*	22	M 5	32	8	10.5	18.5	2	16.5	3	18
GN 302.2-30-M4-12-*	30	M 4	12	10	13	24.5	4	22	3.5	27
GN 302.2-30-M4-16-*	30	M 4	16	10	13	24.5	4	22	3.5	28
GN 302.2-30-M4-20-*	30	M 4	20	10	13	24.5	4	22	3.5	28
GN 302.2-30-M4-25-*	30	M 4	25	10	13	24.5	4	22	3.5	29
GN 302.2-30-M4-32-*	30	M 4	32	10	13	24.5	4	22	3.5	29
GN 302.2-30-M5-12-*	30	M 5	12	10	13	24.5	4	22	3.5	28
GN 302.2-30-M5-16-*	30	M 5	16	10	13	24.5	4	22	3.5	29
GN 302.2-30-M5-20-*	30	M 5	20	10	13	24.5	4	22	3.5	29
GN 302.2-30-M5-25-*	30	M 5	25	10	13	24.5	4	22	3.5	30
GN 302.2-30-M5-32-*	30	M 5	32	10	13	24.5	4	22	3.5	31
GN 302.2-30-M5-40-*	30	M 5	40	10	13	24.5	4	22	3.5	32
GN 302.2-30-M5-50-*	30	M 5	50	10	13	24.5	4	22	3.5	34
GN 302.2-30-M6-12-*	30	M 6	12	10	13	24.5	4	22	3.5	29
GN 302.2-30-M6-16-*	30	M 6	16	10	13	24.5	4	22	3.5	30
GN 302.2-30-M6-20-*	30	M 6	20	10	13	24.5	4	22	3.5	31
GN 302.2-30-M6-25-*	30	M 6	25	10	13	24.5	4	22	3.5	32
GN 302.2-30-M6-32-*	30	M 6	32	10	13	24.5	4	22	3.5	33
GN 302.2-30-M6-40-*	30	M 6	40	10	13	24.5	4	22	3.5	35
GN 302.2-30-M6-50-*	30	M 6	50	10	13	24.5	4	22	3.5	37
GN 302.2-45-M4-12-*	45	M 4	12	10	13	24.5	4	22	3.5	35
GN 302.2-45-M4-16-*	45	M 4	16	10	13	24.5	4	22	3.5	35
GN 302.2-45-M4-20-*	45	M 4	20	10	13	24.5	4	22	3.5	35
GN 302.2-45-M4-25-*	45	M 4	25	10	13	24.5	4	22	3.5	36
GN 302.2-45-M4-32-*	45	M 4	32	10	13	24.5	4	22	3.5	37
GN 302.2-45-M5-12-*	45	M 5	12	10	13	24.5	4	22	3.5	35
GN 302.2-45-M5-16-*	45	M 5	16	10	13	24.5	4	22	3.5	36
GN 302.2-45-M5-20-*	45	M 5	20	10	13	24.5	4	22	3.5	36
GN 302.2-45-M5-25-*	45	M 5	25	10	13	24.5	4	22	3.5	37
GN 302.2-45-M5-32-*	45	M 5	32	10	13	24.5	4	22	3.5	38
GN 302.2-45-M5-40-*	45	M 5	40	10	13	24.5	4	22	3.5	39
GN 302.2-45-M5-50-*	45	M 5	50	10	13	24.5	4	22	3.5	41

GN 302.2-with threaded stud

Description	l1	d1	l2	d3	d4	h1	h2	h3	h4	△
GN 302.2-45-M6-12-*	45	M 6	12	10	13	24.5	4	22	3.5	36
GN 302.2-45-M6-16-*	45	M 6	16	10	13	24.5	4	22	3.5	37
GN 302.2-45-M6-20-*	45	M 6	20	10	13	24.5	4	22	3.5	38
GN 302.2-45-M6-25-*	45	M 6	25	10	13	24.5	4	22	3.5	39
GN 302.2-45-M6-32-*	45	M 6	32	10	13	24.5	4	22	3.5	40
GN 302.2-45-M6-40-*	45	M 6	40	10	13	24.5	4	22	3.5	42
GN 302.2-45-M6-50-*	45	M 6	50	10	13	24.5	4	22	3.5	44
GN 302.2-63-M6-16-*	63	M 6	16	13.5	17.5	31	6.5	28.5	4	83
GN 302.2-63-M6-20-*	63	M 6	20	13.5	17.5	31	6.5	28.5	4	84
GN 302.2-63-M6-25-*	63	M 6	25	13.5	17.5	31	6.5	28.5	4	85
GN 302.2-63-M6-32-*	63	M 6	32	13.5	17.5	31	6.5	28.5	4	86
GN 302.2-63-M6-40-*	63	M 6	40	13.5	17.5	31	6.5	28.5	4	88
GN 302.2-63-M6-50-*	63	M 6	50	13.5	17.5	31	6.5	28.5	4	90
GN 302.2-63-M6-63-*	63	M 6	63	13.5	17.5	31	6.5	28.5	4	93
GN 302.2-63-M8-16-*	63	M 8	16	13.5	17.5	31	6.5	28.5	4	86
GN 302.2-63-M8-20-*	63	M 8	20	13.5	17.5	31	6.5	28.5	4	87
GN 302.2-63-M8-25-*	63	M 8	25	13.5	17.5	31	6.5	28.5	4	89
GN 302.2-63-M8-32-*	63	M 8	32	13.5	17.5	31	6.5	28.5	4	92
GN 302.2-63-M8-40-*	63	M 8	40	13.5	17.5	31	6.5	28.5	4	95
GN 302.2-63-M8-50-*	63	M 8	50	13.5	17.5	31	6.5	28.5	4	99
GN 302.2-63-M8-63-*	63	M 8	63	13.5	17.5	31	6.5	28.5	4	104
GN 302.2-78-M8-20-*	78	M 8	20	16	21	36	8	34	4	137
GN 302.2-78-M8-25-*	78	M 8	25	16	21	36	8	34	4	139
GN 302.2-78-M8-32-*	78	M 8	32	16	21	36	8	34	4	141
GN 302.2-78-M8-40-*	78	M 8	40	16	21	36	8	34	4	144
GN 302.2-78-M8-50-*	78	M 8	50	16	21	36	8	34	4	148
GN 302.2-78-M8-63-*	78	M 8	63	16	21	36	8	34	4	153
GN 302.2-78-M8-80-*	78	M 8	80	16	21	36	8	34	4	160
GN 302.2-78-M10-20-*	78	M 10	20	16	21	36	8	34	4	141
GN 302.2-78-M10-25-*	78	M 10	25	16	21	36	8	34	4	144
GN 302.2-78-M10-32-*	78	M 10	32	16	21	36	8	34	4	148
GN 302.2-78-M10-40-*	78	M 10	40	16	21	36	8	34	4	153
GN 302.2-78-M10-50-*	78	M 10	50	16	21	36	8	34	4	159
GN 302.2-78-M10-63-*	78	M 10	63	16	21	36	8	34	4	167
GN 302.2-78-M10-80-*	78	M 10	80	16	21	36	8	34	4	177

X-ON Electronics

Largest Supplier of Electrical and Electronic Components

Click to view similar products for [Other Tools](#) category:

Click to view products by [Elesa & Ganter](#) manufacturer:

Other Similar products are found below :

[899-2-KT46](#) [568681-1](#) [CR-12FP4--260R](#) [5800-0090](#) [58061-1](#) [59085](#) [00-8273-RDPP](#) [593033](#) [593072](#) [593564100](#) [593575](#) [593593](#) [010-0003-0000](#) [011349-000](#) [CRCW08052740FRT1](#) [LUC-012S070DSM](#) [LUC-018S070DSP](#) [LUC-024S105DSP](#) [599-2021-3-NME](#) [599-JJ-2021-03](#) [CRCW2010331JR02](#) [601-JJ-06](#) [601-SPB](#) [601YSY](#) [602-JJ-03](#) [602SPB](#) [603-JJ-07-FP](#) [603-JJY-04](#) [CRTN1013](#) [CS16](#) [6-1579014-0](#) [62036240-1](#) [M43435 TY 1 SZ 3 FIN B BLK](#) [M43435 TY 2 SZ 3 FIN C BLK](#) [M-5Z](#) [M6816](#) [660-29ABT1](#) [662508-1](#) [CVHD-950X-93.333](#) [CW104-01X](#) [671-GP-04-KT39-73207](#) [CW307-01A](#) [CW30901A](#) [CW6211201A](#) [679793-1](#) [690191-1](#) [690191-3](#) [690317-2](#) [691409-4](#)