

## Adjustable hand levers

with push button/ Zinc die casting, Bushing /  
Threaded bolt Stainless Steel

### SPECIFICATION

Handle  
Zinc die casting  
plastic coated  
black, RAL 9005, textured finish **SW**

Releasing button  
Plastic  
black, RAL 9005 **S**  
orange, RAL 2004 **O**  
grey, RAL 7035 **G**

Pin for releasing button  
Stainless Steel

### Version with bushing

Stainless Steel AISI 303

### Version with threaded stud

Stainless Steel AISI 303

### INFORMATION

Adjustable hand levers GN 303.1 are ideal whenever parts have to be clamped in a confined space or in a particular lever position. The centre insert is connected to the lever via serrations which can easily be dis-engaged.

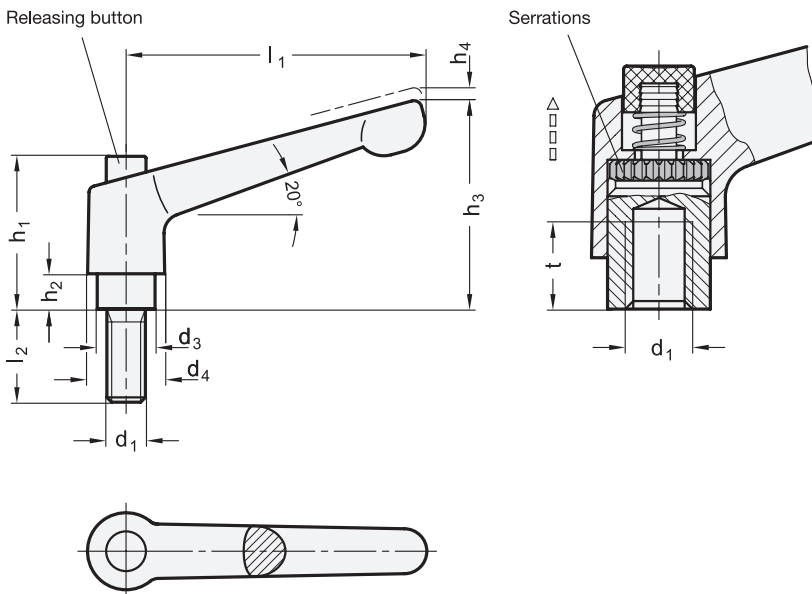
The releasing button is a design element that offers an easy disengagement. Its use is limited to applications where dismantling of the lever for installation is not required.

### ON REQUEST

- Handle in colours of GN 300 (see page 320)

### TECHNICAL INFORMATION

- ISO-Fundamental Tolerances (see page A21)





\* Complete with colour index of the Push button (S, O or G)



### GN 303.1-with bushing

Description	l1	d1	d3	d4	h1	h2	h3	h4	t min.	$\Delta$
GN 303.1-30-M3-SW-*	30	M 3	10	13	26.5	4	31	3.5	7	30
GN 303.1-30-M4-SW-*	30	M 4	10	13	26.5	4	31	3.5	8	26
GN 303.1-30-M5-SW-*	30	M 5	10	13	26.5	4	31	3.5	8	20
GN 303.1-30-M6-SW-*	30	M 6	10	13	26.5	4	31	3.5	8	20
GN 303.1-45-M4-SW-*	45	M 4	10	13	26.5	4	35	3.5	8	38
GN 303.1-45-M5-SW-*	45	M 5	10	13	26.5	4	35	3.5	8	36
GN 303.1-45-M6-SW-*	45	M 6	10	13	26.5	4	35	3.5	8	34
GN 303.1-63-M6-SW-*	63	M 6	13.5	17.5	32.5	6.5	45	4	11	80
GN 303.1-63-M8-SW-*	63	M 8	13.5	17.5	32.5	6.5	45	4	11	73
GN 303.1-78-M8-SW-*	78	M 8	16	21	37.5	8	55	4	14	120
GN 303.1-78-M10-SW-*	78	M 10	16	21	37.5	8	55	4	14	110

### GN 303.1-with bushing

Description	l1	d1	l2	d3	d4	h1	h2	h3	h4	$\Delta$
GN 303.1-30-M3-6-SW-*	30	M 3	6	10	13	26.5	4	31	3.5	106
GN 303.1-30-M3-8-SW-*	30	M 3	8	10	13	26.5	4	31	3.5	104
GN 303.1-30-M3-10-SW-*	30	M 3	10	10	13	26.5	4	31	3.5	102
GN 303.1-30-M3-12-SW-*	30	M 3	12	10	13	26.5	4	31	3.5	102
GN 303.1-30-M3-16-SW-*	30	M 3	16	10	13	26.5	4	31	3.5	102
GN 303.1-30-M4-12-SW-*	30	M 4	12	10	13	26.5	4	31	3.5	30
GN 303.1-30-M4-16-SW-*	30	M 4	16	10	13	26.5	4	31	3.5	28
GN 303.1-30-M4-20-SW-*	30	M 4	20	10	13	26.5	4	31	3.5	28
GN 303.1-30-M4-25-SW-*	30	M 4	25	10	13	26.5	4	31	3.5	28
GN 303.1-30-M4-32-SW-*	30	M 4	32	10	13	26.5	4	31	3.5	28
GN 303.1-30-M5-12-SW-*	30	M 5	12	10	13	26.5	4	31	3.5	30
GN 303.1-30-M5-16-SW-*	30	M 5	16	10	13	26.5	4	31	3.5	32
GN 303.1-30-M5-20-SW-*	30	M 5	20	10	13	26.5	4	31	3.5	32
GN 303.1-30-M5-25-SW-*	30	M 5	25	10	13	26.5	4	31	3.5	33
GN 303.1-30-M5-32-SW-*	30	M 5	32	10	13	26.5	4	31	3.5	33
GN 303.1-30-M5-40-SW-*	30	M 5	40	10	13	26.5	4	31	3.5	35
GN 303.1-30-M5-50-SW-*	30	M 5	50	10	13	26.5	4	31	3.5	35
GN 303.1-30-M6-12-SW-*	30	M 6	12	10	13	26.5	4	31	3.5	20
GN 303.1-30-M6-16-SW-*	30	M 6	16	10	13	26.5	4	31	3.5	30
GN 303.1-30-M6-20-SW-*	30	M 6	20	10	13	26.5	4	31	3.5	30
GN 303.1-30-M6-25-SW-*	30	M 6	25	10	13	26.5	4	31	3.5	34
GN 303.1-30-M6-32-SW-*	30	M 6	32	10	13	26.5	4	31	3.5	34
GN 303.1-30-M6-40-SW-*	30	M 6	40	10	13	26.5	4	31	3.5	37
GN 303.1-30-M6-50-SW-*	30	M 6	50	10	13	26.5	4	31	3.5	40
GN 303.1-45-M4-12-SW-*	45	M 4	12	10	13	26.5	4	35	3.5	39
GN 303.1-45-M4-16-SW-*	45	M 4	16	10	13	26.5	4	35	3.5	39
GN 303.1-45-M4-20-SW-*	45	M 4	20	10	13	26.5	4	35	3.5	39
GN 303.1-45-M4-25-SW-*	45	M 4	25	10	13	26.5	4	35	3.5	40
GN 303.1-45-M4-32-SW-*	45	M 4	32	10	13	26.5	4	35	3.5	40
GN 303.1-45-M5-12-SW-*	45	M 5	12	10	13	26.5	4	35	3.5	36
GN 303.1-45-M5-16-SW-*	45	M 5	16	10	13	26.5	4	35	3.5	40

Clamping levers 3

\* Complete with colour index of the Push button (S, O or G)

S O G  
 RAL9005      RAL2004      RAL 7035

### GN 303.1-with threaded stud

Description	l1	d1	l2	d3	d4	h1	h2	h3	h4	⚖
GN 303.1-45-M5-20-SW-*	45	M 5	20	10	13	26.5	4	35	3.5	40
GN 303.1-45-M5-25-SW-*	45	M 5	25	10	13	26.5	4	35	3.5	40
GN 303.1-45-M5-32-SW-*	45	M 5	32	10	13	26.5	4	35	3.5	40
GN 303.1-45-M5-40-SW-*	45	M 5	40	10	13	26.5	4	35	3.5	40
GN 303.1-45-M5-50-SW-*	45	M 5	50	10	13	26.5	4	35	3.5	40
GN 303.1-45-M6-12-SW-*	45	M 6	12	10	13	26.5	4	35	3.5	40
GN 303.1-45-M6-16-SW-*	45	M 6	16	10	13	26.5	4	35	3.5	40
GN 303.1-45-M6-20-SW-*	45	M 6	20	10	13	26.5	4	35	3.5	40
GN 303.1-45-M6-25-SW-*	45	M 6	25	10	13	26.5	4	35	3.5	40
GN 303.1-45-M6-32-SW-*	45	M 6	32	10	13	26.5	4	35	3.5	40
GN 303.1-45-M6-40-SW-*	45	M 6	40	10	13	26.5	4	35	3.5	40
GN 303.1-45-M6-50-SW-*	45	M 6	50	10	13	26.5	4	35	3.5	43
GN 303.1-63-M6-12-SW-*	63	M 6	12	13.5	17.5	32.5	6.5	45	4	83
GN 303.1-63-M6-16-SW-*	63	M 6	16	13.5	17.5	32.5	6.5	45	4	84
GN 303.1-63-M6-20-SW-*	63	M 6	20	13.5	17.5	32.5	6.5	45	4	84
GN 303.1-63-M6-25-SW-*	63	M 6	25	13.5	17.5	32.5	6.5	45	4	86
GN 303.1-63-M6-32-SW-*	63	M 6	32	13.5	17.5	32.5	6.5	45	4	87
GN 303.1-63-M6-40-SW-*	63	M 6	40	13.5	17.5	32.5	6.5	45	4	89
GN 303.1-63-M6-50-SW-*	63	M 6	50	13.5	17.5	32.5	6.5	45	4	90
GN 303.1-63-M6-63-SW-*	63	M 6	63	13.5	17.5	32.5	6.5	45	4	92
GN 303.1-63-M8-12-SW-*	63	M 8	12	13.5	17.5	32.5	6.5	45	4	80
GN 303.1-63-M8-16-SW-*	63	M 8	16	13.5	17.5	32.5	6.5	45	4	80
GN 303.1-63-M8-20-SW-*	63	M 8	20	13.5	17.5	32.5	6.5	45	4	80
GN 303.1-63-M8-25-SW-*	63	M 8	25	13.5	17.5	32.5	6.5	45	4	80
GN 303.1-63-M8-32-SW-*	63	M 8	32	13.5	17.5	32.5	6.5	45	4	80
GN 303.1-63-M8-40-SW-*	63	M 8	40	13.5	17.5	32.5	6.5	45	4	90
GN 303.1-63-M8-50-SW-*	63	M 8	50	13.5	17.5	32.5	6.5	45	4	100
GN 303.1-63-M8-63-SW-*	63	M 8	63	13.5	17.5	32.5	6.5	45	4	100
GN 303.1-63-M10-20-SW-*	63	M 10	20	13.5	17.5	32.5	6.5	45	4	90
GN 303.1-63-M10-25-SW-*	63	M 10	25	13.5	17.5	32.5	6.5	45	4	100
GN 303.1-63-M10-32-SW-*	63	M 10	32	13.5	17.5	32.5	6.5	45	4	100
GN 303.1-63-M10-40-SW-*	63	M 10	40	13.5	17.5	32.5	6.5	45	4	100
GN 303.1-63-M10-50-SW-*	63	M 10	50	13.5	17.5	32.5	6.5	45	4	110
GN 303.1-63-M10-63-SW-*	63	M 10	63	13.5	17.5	32.5	6.5	45	4	117
GN 303.1-78-M8-16-SW-*	78	M 8	16	16	21	37.5	8	55	4	140
GN 303.1-78-M8-20-SW-*	78	M 8	20	16	21	37.5	8	55	4	140
GN 303.1-78-M8-25-SW-*	78	M 8	25	16	21	37.5	8	55	4	140
GN 303.1-78-M8-32-SW-*	78	M 8	32	16	21	37.5	8	55	4	140
GN 303.1-78-M8-40-SW-*	78	M 8	40	16	21	37.5	8	55	4	140
GN 303.1-78-M8-50-SW-*	78	M 8	50	16	21	37.5	8	55	4	150
GN 303.1-78-M8-63-SW-*	78	M 8	63	16	21	37.5	8	55	4	150
GN 303.1-78-M8-80-SW-*	78	M 8	80	16	21	37.5	8	55	4	160
GN 303.1-78-M10-16-SW-*	78	M 10	16	16	21	37.5	8	55	4	128
GN 303.1-78-M10-20-SW-*	78	M 10	20	16	21	37.5	8	55	4	130
GN 303.1-78-M10-25-SW-*	78	M 10	25	16	21	37.5	8	55	4	132
GN 303.1-78-M10-32-SW-*	78	M 10	32	16	21	37.5	8	55	4	142
GN 303.1-78-M10-40-SW-*	78	M 10	40	16	21	37.5	8	55	4	140
GN 303.1-78-M10-50-SW-*	78	M 10	50	16	21	37.5	8	55	4	145
GN 303.1-78-M10-63-SW-*	78	M 10	63	16	21	37.5	8	55	4	152
GN 303.1-78-M10-80-SW-*	78	M 10	80	16	21	37.5	8	55	4	159



3

Clamping levers

## X-ON Electronics

Largest Supplier of Electrical and Electronic Components

*Click to view similar products for [Other Tools](#) category:*

*Click to view products by [Elesa & Ganter](#) manufacturer:*

Other Similar products are found below :

[899-2-KT46](#) [568681-1](#) [CR-12FP4--260R](#) [5800-0090](#) [58061-1](#) [59085](#) [00-8273-RDPP](#) [593033](#) [593072](#) [593564100](#) [593575](#) [593593](#) [010-0003-0000](#) [011349-000](#) [CRCW08052740FRT1](#) [LUC-012S070DSM](#) [LUC-018S070DSP](#) [LUC-024S105DSP](#) [599-2021-3-NME](#) [599-JJ-2021-03](#) [CRCW2010331JR02](#) [601-JJ-06](#) [601-SPB](#) [601YSY](#) [602-JJ-03](#) [602SPB](#) [603-JJ-07-FP](#) [603-JJY-04](#) [CRTN1013](#) [CS16](#) [6-1579014-0](#) [62036240-1](#) [M43435 TY 1 SZ 3 FIN B BLK](#) [M43435 TY 2 SZ 3 FIN C BLK](#) [M-5Z](#) [M6816](#) [660-29ABT1](#) [662508-1](#) [CVHD-950X-93.333](#) [CW104-01X](#) [671-GP-04-KT39-73207](#) [CW307-01A](#) [CW30901A](#) [CW6211201A](#) [679793-1](#) [690191-1](#) [690191-3](#) [690317-2](#) [691409-4](#)