

## Safety tension levers

**PUSH to engage**

### SPECIFICATION

#### Types

- Type **E**: angled lever
- Type **D**: straight lever

Steel

blackened

Tensile strength class 5.8

Ball knobs DIN 319 (see page 538)

Plastic, Duroplast  
black, shiny finish

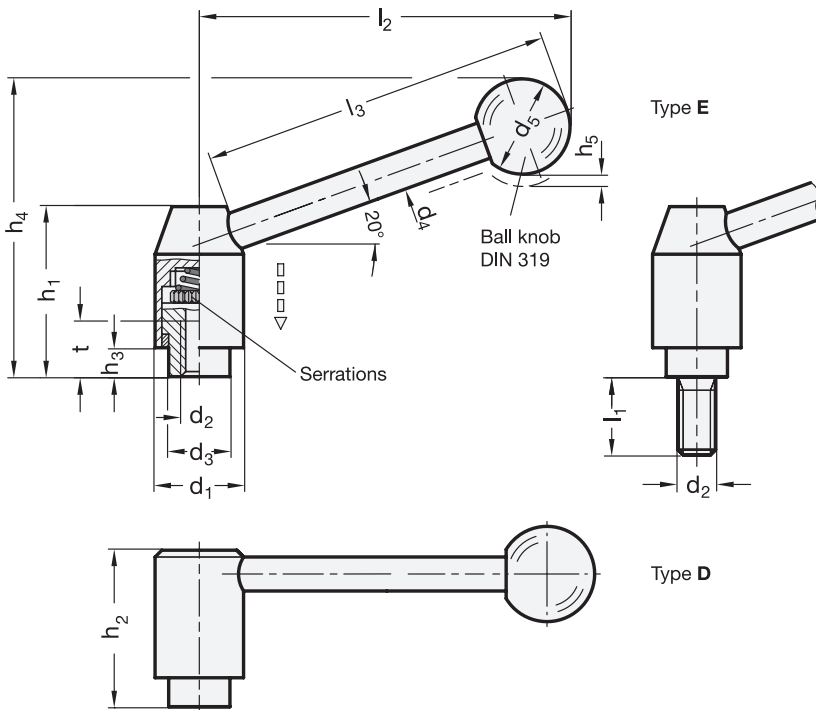
### INFORMATION

Safety tension levers GN 312 are used on such applications where a thoughtless or mistaken releasing or re-positioning of the tension lever could lead to an accident.

The lever in its rest position is not connected with the internal spindle and can be rotated unhindered.

The tension lever engages in the serration only after pushing it down, thus allowing clamping or unclamping.

The "freewheel" position is re-established as soon as the handle is released.





Clamping levers

\*Complete with type of the Safety tension levers (E or D)

E D  
Angled lever Straight lever

GN 312-with threaded insert

Description	d1	d2	d3	d4	d5	h1	h2	h3	h4		h5	l2		l3	t min.	⚖
									Type E	Type D		Type E	Type D			
GN 312-21-M6-*	21	M 6	13.5	8	20	37	34.5	4.5	62	39	3	75	39	70	11	101
GN 312-21-M8-*	21	M 8	13.5	8	20	37	34.5	4.5	62	39	3	75	39	70	11	99
GN 312-24-M8-*	24	M 8	16	10	25	44	41	6.5	78	47	3.5	101	47	96	14	165
GN 312-24-M10-*	24	M 10	16	10	25	44	41	6.5	78	47	3.5	101	47	96	14	161
GN 312-28-M10-*	28	M 10	19	12	30	53	49	8.5	93	56	4	116	56	110	17	286
GN 312-28-M12-*	28	M 12	19	12	30	53	49	8.5	93	56	4	116	56	110	17	270
GN 312-33-M12-*	33	M 12	23	12	32	60	56	10.5	105	65	4.5	131	65	124	22	407
GN 312-33-M16-*	33	M 16	23	12	32	60	56	10.5	105	65	4.5	131	65	124	22	390

GN 312-with threaded stud

Description	d1	d2	l1	d3	d4	d5	h1	h2	h3	h4		h5	l2		l3	⚖
										Type E	Type D		Type E	Type D		
GN 312-21-M8-16-*	21	M 8	16	13.5	8	20	37	34.5	4.5	62	39	3	75	81	70	108
GN 312-21-M8-20-*	21	M 8	20	13.5	8	20	37	34.5	4.5	62	39	3	75	81	70	109
GN 312-21-M8-25-*	21	M 8	25	13.5	8	20	37	34.5	4.5	62	39	3	75	81	70	111
GN 312-21-M8-32-*	21	M 8	32	13.5	8	20	37	34.5	4.5	62	39	3	75	81	70	113
GN 312-21-M8-40-*	21	M 8	40	13.5	8	20	37	34.5	4.5	62	39	3	75	81	70	116
GN 312-21-M8-50-*	21	M 8	50	13.5	8	20	37	34.5	4.5	62	39	3	75	81	70	118
GN 312-21-M8-63-*	21	M 8	63	13.5	8	20	37	34.5	4.5	62	39	3	75	81	70	123
GN 312-24-M10-20-*	24	M 10	20	16	10	25	44	41	6.5	78	47	3.5	101	108	96	179
GN 312-24-M10-25-*	24	M 10	25	16	10	25	44	41	6.5	78	47	3.5	101	108	96	181
GN 312-24-M10-32-*	24	M 10	32	16	10	25	44	41	6.5	78	47	3.5	101	108	96	184
GN 312-24-M10-40-*	24	M 10	40	16	10	25	44	41	6.5	78	47	3.5	101	108	96	188
GN 312-24-M10-50-*	24	M 10	50	16	10	25	44	41	6.5	78	47	3.5	101	108	96	194
GN 312-24-M10-63-*	24	M 10	63	16	10	25	44	41	6.5	78	47	3.5	101	108	96	201
GN 312-24-M10-80-*	24	M 10	80	16	10	25	44	41	6.5	78	47	3.5	101	108	96	210
GN 312-28-M12-20-*	28	M 12	20	19	12	30	53	49	8.5	93	56	4	116	124	110	299
GN 312-28-M12-25-*	28	M 12	25	19	12	30	53	49	8.5	93	56	4	116	124	110	304
GN 312-28-M12-32-*	28	M 12	32	19	12	30	53	49	8.5	93	56	4	116	124	110	309
GN 312-28-M12-40-*	28	M 12	40	19	12	30	53	49	8.5	93	56	4	116	124	110	314
GN 312-28-M12-50-*	28	M 12	50	19	12	30	53	49	8.5	93	56	4	116	124	110	321
GN 312-28-M12-63-*	28	M 12	63	19	12	30	53	49	8.5	93	56	4	116	124	110	331
GN 312-28-M12-80-*	28	M 12	80	19	12	30	53	49	8.5	93	56	4	116	124	110	342
GN 312-33-M16-32-*	33	M 16	32	23	12	32	60	56	10.5	105	65	4.5	131	140.5	124	455
GN 312-33-M16-40-*	33	M 16	40	23	12	32	60	56	10.5	105	65	4.5	131	140.5	124	477
GN 312-33-M16-50-*	33	M 16	50	23	12	32	60	56	10.5	105	65	4.5	131	140.5	124	492
GN 312-33-M16-63-*	33	M 16	63	23	12	32	60	56	10.5	105	65	4.5	131	140.5	124	508
GN 312-33-M16-80-*	33	M 16	80	23	12	32	60	56	10.5	105	65	4.5	131	140.5	124	530

Weight type D

## X-ON Electronics

Largest Supplier of Electrical and Electronic Components

*Click to view similar products for [Other Tools](#) category:*

*Click to view products by [Elesa & Ganter](#) manufacturer:*

Other Similar products are found below :

[CR-0AFL4--332K](#) [568681-1](#) [5800-0090](#) [58061-1](#) [59065-5](#) [59085](#) [00-8273-RDPP](#) [00-8729-WHPP](#) [593033](#) [593072](#) [593564100](#) [593575](#)  
[593593](#) [011349-000](#) [CRCW08052740FRT1](#) [LUC-018S070DSP](#) [LUC-024S105DSP](#) [599-2021-3-NME](#) [599-JJ-2021-03](#) [00-5080-YWPP](#) [00-](#)  
[9089-RDPP](#) [00-9300-RDPP](#) [CRCW2010331JR02](#) [601-JJ-06](#) [601-SPB](#) [601YSY](#) [602-JJ-03](#) [602SPB](#) [603-JJ-07-FP](#) [603-JJY-04](#) [M15570-25](#)  
[CRTN1013](#) [CS16](#) [6-1579014-0](#) [6203](#) [62200-5709](#) [6240-1](#) [M43435 TY 2 SZ 3 FIN B BLK](#) [M43435 TY 5 SZ 3 FIN C NAT](#) [M-5Z](#) [M6816](#)  
[M7298](#) [M7456](#) [M7976](#) [660-29ABT1](#) [662508-1](#) [CVHD-950X-93.333](#) [CW104-01X](#) [671-GP-04-KT39-73207](#) [CW307-01A](#)