

## Machine feet

without central fastening hole

### SPECIFICATION

#### Types (Foot plate)

- Type **A**: without rubber underlay
- Type **B**: with rubber underlay
- Type **C**: with O-ring

Foot plate

Steel, plastic coated  
black, RAL 9005, textured finish

Threaded studs / Hexagon nut ISO 8675  
Steel, zinc plated, blue passivated

Rubber underlay, inlaid  
black, NBR  
85±5 Shore A

O-ring, inlaid  
black, NBR  
≈ 70 Shore A

### INFORMATION

Machine feet GN 36 are characterized by their solid construction and large variety. They are used especially on large and heavy systems and machines.

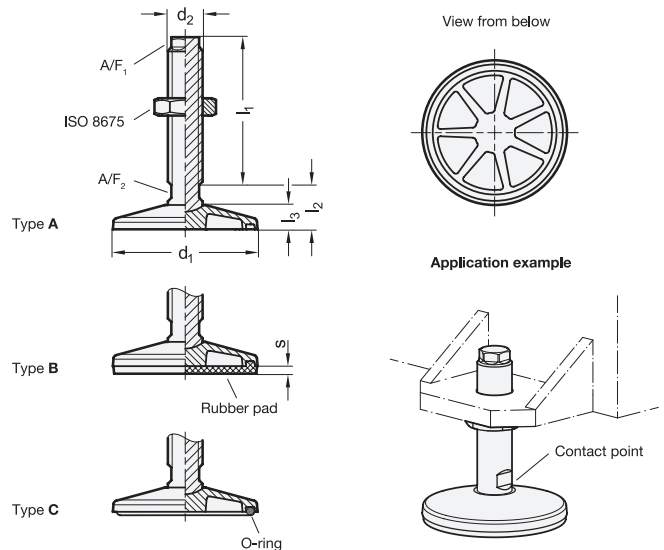
Foot plates and threaded studs are not connected together, during setup they are automatically centered by the radius at the contact point.

Type B with rubber underlay prevents slipping to the side, protects delicate surfaces and dampens vibrations and tremors. Type C with O-ring provides a seal over the ground to prevent the build-up of dirt under the foot.



### TECHNICAL INFORMATION

- Elastomer characteristics (see page A32)



### GN 36-A

Description	d1	d2	l1	l2 ≈	l3	A/F 1	A/F 2	Static load F in kN	⚖️
GN 36-80-M20x1.5-60-A	80	M 20 x 1.5	60	27.5	15	16	16	50	482
GN 36-80-M20x1.5-100-A	80	M 20 x 1.5	100	27.5	15	16	16	50	579
GN 36-80-M24x2-70-A	80	M 24 x 2	70	27.5	15	19	19	70	593
GN 36-80-M24x2-120-A	80	M 24 x 2	120	27.5	15	19	19	70	767
GN 36-100-M20x1.5-60-A	100	M 20 x 1.5	60	30	17.5	16	16	50	665
GN 36-100-M20x1.5-100-A	100	M 20 x 1.5	100	30	17.5	16	16	50	762
GN 36-100-M24x2-70-A	100	M 24 x 2	70	30	17.5	19	19	70	776
GN 36-100-M24x2-120-A	100	M 24 x 2	120	30	17.5	19	19	70	950
GN 36-125-M24x2-70-A	125	M 24 x 2	70	35	21	19	19	70	1189

## GN 36-A

Description	d1	d2	l1	l2 ≈	l3	A/F 1	A/F 2	Static load F in kN	⚖
GN 36-125-M24x2-120-A	125	M 24 x 2	120	35	21	19	19	70	1364
GN 36-125-M30x2-90-A	125	M 30 x 2	90	38	21	24	24	120	1556
GN 36-125-M30x2-150-A	125	M 30 x 2	150	38	21	24	24	120	1882
GN 36-160-M30x2-90-A	160	M 30 x 2	90	45	27	24	24	120	2470
GN 36-160-M30x2-150-A	160	M 30 x 2	150	45	27	24	24	120	2796
GN 36-160-M36x2-110-A	160	M 36 x 2	110	45	27	30	30	180	2880
GN 36-160-M36x2-180-A	160	M 36 x 2	180	45	27	30	30	180	3428
GN 36-200-M36x2-110-A	200	M 36 x 2	110	55	33	30	30	180	4528
GN 36-200-M36x2-180-A	200	M 36 x 2	180	55	33	30	30	180	5077
GN 36-200-M42x2-125-A	200	M 42 x 2	125	55	33	36	36	250	5055
GN 36-200-M42x2-210-A	200	M 42 x 2	210	55	33	36	36	250	5962

## GN 36-B

Description	d1	d2	l1	l2 ≈	l3	s	A/F 1	A/F 2	Static load F in kN	⚖
GN 36-80-M20x1.5-60-B	80	M 20 x 1.5	60	27.5	15	3	16	16	20	503
GN 36-80-M20x1.5-100-B	80	M 20 x 1.5	100	27.5	15	3	16	16	20	600
GN 36-80-M24x2-70-B	80	M 24 x 2	70	27.5	15	3	19	19	20	614
GN 36-80-M24x2-120-B	80	M 24 x 2	120	27.5	15	3	19	19	20	788
GN 36-100-M20x1.5-60-B	100	M 20 x 1.5	60	30	17.5	4	16	16	30	710
GN 36-100-M20x1.5-100-B	100	M 20 x 1.5	100	30	17.5	4	16	16	30	807
GN 36-100-M24x2-70-B	100	M 24 x 2	70	30	17.5	4	19	19	30	821
GN 36-100-M24x2-120-B	100	M 24 x 2	120	30	17.5	4	19	19	30	995
GN 36-125-M24x2-70-B	125	M 24 x 2	70	35	21	5	19	19	50	1273
GN 36-125-M24x2-120-B	125	M 24 x 2	120	35	21	5	19	19	50	1448
GN 36-125-M30x2-90-B	125	M 30 x 2	90	38	21	5	24	24	50	1640
GN 36-125-M30x2-150-B	125	M 30 x 2	150	38	21	5	24	24	50	1966
GN 36-160-M30x2-90-B	160	M 30 x 2	90	45	27	6	24	24	70	2637
GN 36-160-M30x2-150-B	160	M 30 x 2	150	45	27	6	24	24	70	2963
GN 36-160-M36x2-110-B	160	M 36 x 2	110	45	27	6	30	30	70	3047
GN 36-160-M36x2-180-B	160	M 36 x 2	180	45	27	6	30	30	70	3595
GN 36-200-M36x2-110-B	200	M 36 x 2	110	55	33	8	30	30	110	4861
GN 36-200-M36x2-180-B	200	M 36 x 2	180	55	33	8	30	30	110	5410
GN 36-200-M42x2-125-B	200	M 42 x 2	125	55	33	8	36	36	110	5388
GN 36-200-M42x2-210-B	200	M 42 x 2	210	55	33	8	36	36	110	6295

## GN 36-C

Description	d1	d2	l1	l2 ≈	l3	A/F 1	A/F 2	Static load F in kN	⚖
GN 36-80-M20x1.5-60-C	80	M 20 x 1.5	60	27.5	15	16	16	50	485
GN 36-80-M20x1.5-100-C	80	M 20 x 1.5	100	27.5	15	16	16	50	582
GN 36-80-M24x2-70-C	80	M 24 x 2	70	27.5	15	19	19	70	596
GN 36-80-M24x2-120-C	80	M 24 x 2	120	27.5	15	19	19	70	770
GN 36-100-M20x1.5-60-C	100	M 20 x 1.5	60	30	17.5	16	16	50	672
GN 36-100-M20x1.5-100-C	100	M 20 x 1.5	100	30	17.5	16	16	50	769
GN 36-100-M24x2-70-C	100	M 24 x 2	70	30	17.5	19	19	70	783
GN 36-100-M24x2-120-C	100	M 24 x 2	120	30	17.5	19	19	70	957
GN 36-125-M24x2-70-C	125	M 24 x 2	70	35	21	19	19	70	1199
GN 36-125-M24x2-120-C	125	M 24 x 2	120	35	21	19	19	70	1374
GN 36-125-M30x2-90-C	125	M 30 x 2	90	38	21	24	24	120	1566
GN 36-125-M30x2-150-C	125	M 30 x 2	150	38	21	24	24	120	1892
GN 36-160-M30x2-90-C	160	M 30 x 2	90	45	27	24	24	120	2491
GN 36-160-M30x2-150-C	160	M 30 x 2	150	45	27	24	24	120	2817
GN 36-160-M36x2-110-C	160	M 36 x 2	110	45	27	30	30	180	2901
GN 36-160-M36x2-180-C	160	M 36 x 2	180	45	27	30	30	180	3449
GN 36-200-M36x2-110-C	200	M 36 x 2	110	55	33	30	30	180	4555
GN 36-200-M36x2-180-C	200	M 36 x 2	180	55	33	30	30	180	5104
GN 36-200-M42x2-125-C	200	M 42 x 2	125	55	33	36	36	250	5082
GN 36-200-M42x2-210-C	200	M 42 x 2	210	55	33	36	36	250	5989



## X-ON Electronics

Largest Supplier of Electrical and Electronic Components

*Click to view similar products for [Mounting Fixings](#) category:*

*Click to view products by [Elesa & Ganter](#) manufacturer:*

Other Similar products are found below :

[71-344699-4S](#) [71-441549-19S](#) [75-69211-3P](#) [75-69214-6P](#) [75-69224-28P](#) [75-69232-17S](#) [7717-8DAP](#) [85043GULPR](#) [PMS27488-001-01](#) [1-18023-0](#) [H-118-2](#) [D83999/20WC8SN](#) [1301790551](#) [DC31-14W19PN](#) [DC31-14W19PW](#) [DC37-14-19PW](#) [1302010957](#) [1302263564](#)  
[1302340393](#) [1404-0013-84](#) [1404-0016-78](#) [HS5659MB98PN](#) [NT20SATT01](#) [20800000003](#) [22594-8](#) [89078GBEPR](#) [89078GBESR](#) [SF4011-60101](#) [1671](#) [LS10215R14-15PN](#) [LS10215R14-7PN L/C](#) [1855-54](#) [21899-4](#) [2193](#) [2518](#) [H-118-1](#) [D38899/26WJ4BN](#) [HS5659MB35PN](#)  
[HS5659MB98SN](#) [DC31-14-19PN](#) [DC37-14-19PN](#) [LF9Z-1SB22](#) [WMLX-109](#) [364202K01V167](#) [ELXA051G1](#) [2547](#) [1453315-11](#) [71-146608-2P](#) [71-148608-2S](#) [75-69224-28G](#)