

Machine feet with central fastening hole

SPECIFICATION

Types (Foot plate)

- Type **A**: without rubber underlay
- Type **B**: with rubber underlay
- Type **C**: with O-ring

Foot plate

Steel, plastic coated
black, RAL 9005, textured finish

Threaded studs / Hexagon nut ISO 8675

Steel, zinc plated, blue passivated

Rubber underlay, inlaid

black, NBR
85±5 Shore A

O-ring, inlaid

black, NBR
≈ 70 Shore A

INFORMATION

Machine feet GN 37 are characterized by their solid construction and large variety. They are used especially on large and heavy systems and machines. The through-hole allows the machine feet to be attached centrally to the ground, making them ideal for compressive and tensile loads.

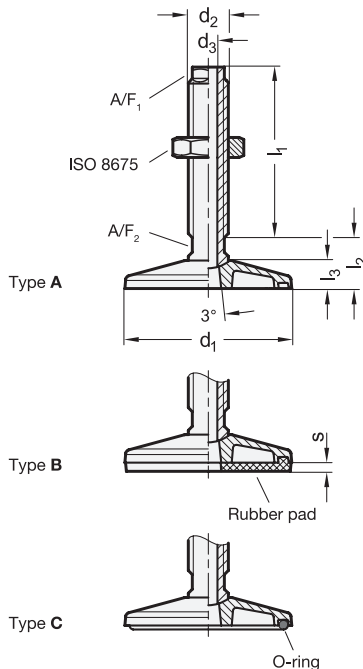
Foot plates and threaded studs are not connected together, during setup they are automatically centered by the radius at the contact point.

Type B with rubber underlay prevents slipping to the side, protects delicate surfaces and dampens vibrations and tremors. Type C with O-ring provides a seal over the ground to prevent the build-up of dirt under the foot. When used in conjunction with a collection pan, lubricants for example cannot escape to reach the underlying surface.

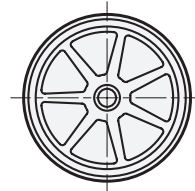


TECHNICAL INFORMATION

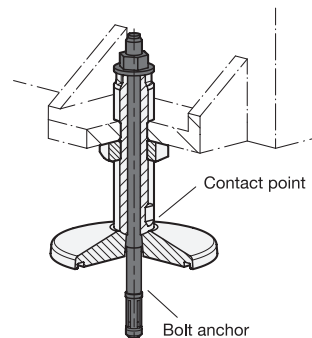
- Elastomer characteristics (see page A32)
- ISO-Fundamental Tolerances (see page A21)



View from below



Application example





GN 37-A

| Description | d1 | d2 | l1 | d3 H13 | l2 ≈ | l3 | A/F 1 | A/F 2 | Static load F in kN | ⚖️ |
|-----------------------|-----|------------|-----|--------|------|------|-------|-------|------------------------|------|
| GN 37-80-M20x1.5-60-A | 80 | M 20 x 1.5 | 60 | 9 | 27.5 | 15 | 16 | 16 | 40 | 405 |
| GN 37-100-M24x2-70-A | 100 | M 24 x 2 | 70 | 11 | 30 | 17.5 | 19 | 19 | 50 | 664 |
| GN 37-125-M30x2-90-A | 125 | M 30 x 2 | 90 | 13.5 | 38 | 21 | 24 | 24 | 80 | 1288 |
| GN 37-160-M36x2-110-A | 160 | M 36 x 2 | 110 | 17.5 | 45 | 27 | 30 | 30 | 120 | 2456 |
| GN 37-200-M42x2-125-A | 200 | M 42 x 2 | 125 | 22 | 55 | 33 | 36 | 36 | 150 | 4375 |

GN 37-B

| Description | d1 | d2 | l1 | d3 H13 | l2 ≈ | l3 | s | A/F 1 | A/F 2 | Static load F in kN | ⚖️ |
|-----------------------|-----|------------|-----|--------|------|------|---|-------|-------|------------------------|------|
| GN 37-80-M20x1.5-60-B | 80 | M 20 x 1.5 | 60 | 9 | 27.5 | 15 | 3 | 16 | 16 | 20 | 425 |
| GN 37-100-M24x2-70-B | 100 | M 24 x 2 | 70 | 11 | 30 | 17.5 | 4 | 19 | 19 | 30 | 708 |
| GN 37-125-M30x2-90-B | 125 | M 30 x 2 | 90 | 13.5 | 38 | 21 | 5 | 24 | 24 | 50 | 1370 |
| GN 37-160-M36x2-110-B | 160 | M 36 x 2 | 110 | 17.5 | 45 | 27 | 6 | 30 | 30 | 70 | 2620 |
| GN 37-200-M42x2-125-B | 200 | M 42 x 2 | 125 | 22 | 55 | 33 | 8 | 36 | 36 | 110 | 4701 |

GN 37-C

| Description | d1 | d2 | l1 | d3 H13 | l2 ≈ | l3 | A/F 1 | A/F 2 | Static load F in kN | ⚖️ |
|-----------------------|-----|------------|-----|--------|------|------|-------|-------|------------------------|------|
| GN 37-80-M20x1.5-60-C | 80 | M 20 x 1.5 | 60 | 9 | 27.5 | 15 | 16 | 16 | 40 | 408 |
| GN 37-100-M24x2-70-C | 100 | M 24 x 2 | 70 | 11 | 30 | 17.5 | 19 | 19 | 50 | 671 |
| GN 37-125-M30x2-90-C | 125 | M 30 x 2 | 90 | 13.5 | 38 | 21 | 24 | 24 | 80 | 1298 |
| GN 37-160-M36x2-110-C | 160 | M 36 x 2 | 110 | 17.5 | 45 | 27 | 30 | 30 | 120 | 2477 |
| GN 37-200-M42x2-125-C | 200 | M 42 x 2 | 125 | 22 | 55 | 33 | 36 | 36 | 150 | 4402 |

X-ON Electronics

Largest Supplier of Electrical and Electronic Components

Click to view similar products for [Mounting Fixings](#) category:

Click to view products by [Elesa & Ganter](#) manufacturer:

Other Similar products are found below :

[5912235-1 REV](#) - [71-215091-8S](#) [75-69211-3P](#) [75-69214-6P](#) [75-69220-27S](#) [7717-8DAP](#) [85048GBESR](#) [PMS27488-001-01](#) [1-18023-0](#) [H-118-2](#) [1301790551](#) [BR16A](#) [NT20SATT01](#) [22594-8](#) [89078GBEPR](#) [89078GBESR](#) [9150700000](#) [SF4011-60101](#) [1671](#) [1855-54](#) [1996901-1](#) [2079844-1](#) [2193](#) [2518](#) [H-118-1](#) [BACC47CN2S](#) [LF9Z-1SB22](#) [WMLX-109](#) [364202K01V167](#) [ELXA051G1](#) [2547](#) [1453315-11](#) [71-452350-8S](#) [71-572965-8S](#) [75-69214-7J](#) [75-69811-3S](#) [H373247-15](#) [81517301](#) [P954-1](#) [860099-1](#) [1189-90](#) [1106352-2](#) [5D0515-20S REV A](#) [M39014/01-1570](#) [30809-700](#) [6024](#) [734032001](#) [197-007](#) [BRKT-ND](#) [197-003](#)