

Levelling feet

Steel, zinc plated, with fixing lug, drop shape

SPECIFICATION

Types (Base plate)

- Type **A0**: without rubber pad
- Type **A1**: with rubber pad, clipped on, black
- Type **A3**: with rubber pad, vulcanized, black

Version of threaded stem

- Version **S**: without nut, external hexagon at the bottom
- Version **SK**: with nut, external hexagon at the bottom
- Version **U**: without nut, hexagon socket at the top and wrench flat at the bottom
- Version **UK**: with nut, hexagon socket at the top and wrench flat at the bottom
- Version **X**: with female thread, external hexagon with female thread

Base plate

Steel, zinc plated, blue passivated

Threaded stem

Steel, zinc plated, blue passivated

Hexagon nut ISO 4032

Steel, zinc plated, blue passivated

Rubber pad, clipped on

black, Santoprene® (TPE) 80 ≈ Shore A

Rubber pad, vulcanised

black, Perbunan® (NBR) 70 ± Shore A

INFORMATION

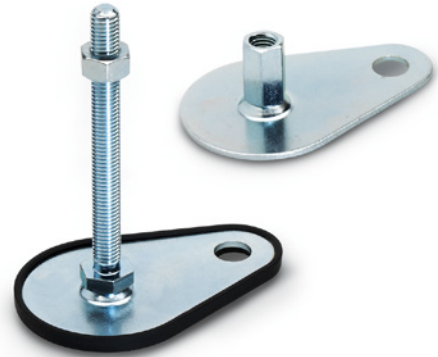
GN 42 levelling feet can be used in a host of combinations of base plates and adjustable spindle versions.

The levelling feet can be screwed to the mounting surface use the fixing lug, which prevents lateral shifting. Moreover, the types with the rubber pad protect sensitive surfaces.

The levelling feet are supplied fully assembled and are not removable.

TECHNICAL INFORMATION

- Elastomer characteristics (see page)



LOAD RATING OF LEVELLING FEET

Information

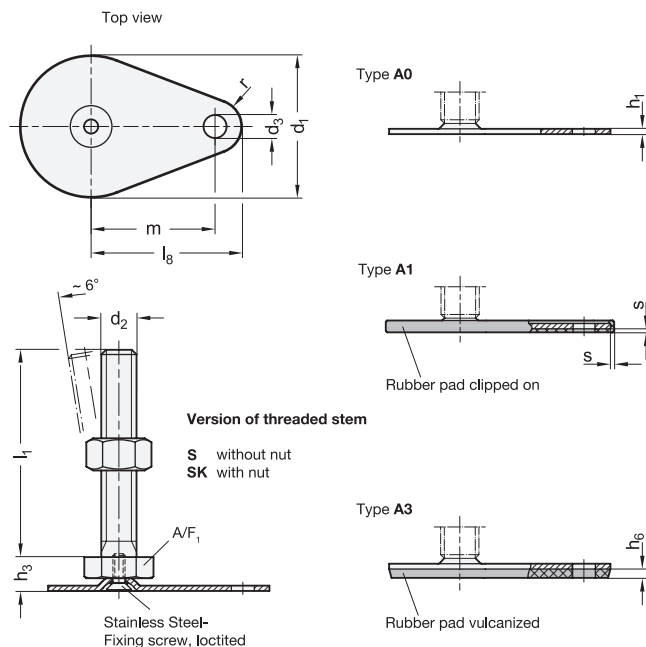
The static load bearing capacity given in the table rests on a test series in which the load has been applied perpendicular to the base plate. For the values given in the table, the strain relief may result in minor deformations of the base plate.

Bending and buckling stress which often occurs in practice results in a lower load bearing capacity of the adjustment spindle and may have to be taken into account.

Also, the spindle strength is assumed to be $\geq 500 \text{ N/mm}^2$.

The details given on strength are nonbinding guide values without any liability. In general, they do not constitute a warranty of quality.

The user must determine from case to case if a product is suitable for the intended purpose or use. Environmental factors may influence the stated values.



* Complete with version of the Levelling feet (External hexagon at the bottom)

S
without nut

SK
with nut

GN 42-S/SK

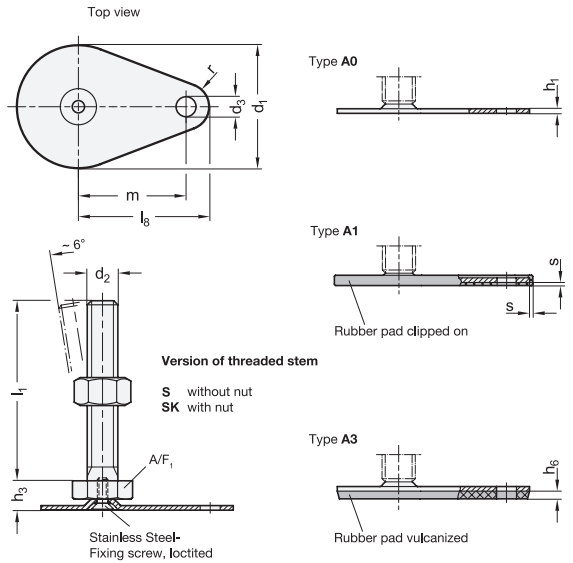
Description	d1	d2	l1	d3	h1	h6	l8	m	r	s	h3	A/F 1	Static load in kN	⚖️
GN 42-50-M8-40-A0-*	50	M 8	40	13	2.5	-	60	45	15	-	11	17	8	80
GN 42-50-M8-40-A1-*	50	M 8	40	13	2.5	-	60	45	15	2	11	17	8	89
GN 42-50-M8-40-A3-*	50	M 8	40	13	2.5	4	60	45	15	-	11	17	8	91
GN 42-50-M8-50-A0-*	50	M 8	50	13	2.5	-	60	45	15	-	11	17	8	83
GN 42-50-M8-50-A1-*	50	M 8	50	13	2.5	-	60	45	15	2	11	17	8	92
GN 42-50-M8-50-A3-*	50	M 8	50	13	2.5	4	60	45	15	-	11	17	8	94
GN 42-50-M8-63-A0-*	50	M 8	63	13	2.5	-	60	45	15	-	11	17	8	87
GN 42-50-M8-63-A1-*	50	M 8	63	13	2.5	-	60	45	15	2	11	17	8	96
GN 42-50-M8-63-A3-*	50	M 8	63	13	2.5	4	60	45	15	-	11	17	8	98
GN 42-50-M10-50-A0-*	50	M 10	50	13	2.5	-	60	45	15	-	11	17	8	101
GN 42-50-M10-50-A1-*	50	M 10	50	13	2.5	-	60	45	15	2	11	17	8	110
GN 42-50-M10-50-A3-*	50	M 10	50	13	2.5	4	60	45	15	-	11	17	8	112
GN 42-50-M10-60-A0-*	50	M 10	60	13	2.5	-	60	45	15	-	11	17	8	118
GN 42-50-M10-60-A1-*	50	M 10	60	13	2.5	-	60	45	15	2	11	17	8	127
GN 42-50-M10-60-A3-*	50	M 10	60	13	2.5	4	60	45	15	-	11	17	8	129
GN 42-50-M10-80-A0-*	50	M 10	80	13	2.5	-	60	45	15	-	11	17	8	127
GN 42-50-M10-80-A1-*	50	M 10	80	13	2.5	-	60	45	15	2	11	17	8	136
GN 42-50-M10-80-A3-*	50	M 10	80	13	2.5	4	60	45	15	-	11	17	8	138
GN 42-50-M10-100-A0-*	50	M 10	100	13	2.5	-	60	45	15	-	11	17	8	137
GN 42-50-M10-100-A1-*	50	M 10	100	13	2.5	-	60	45	15	2	11	17	8	146
GN 42-50-M10-100-A3-*	50	M 10	100	13	2.5	4	60	45	15	-	11	17	8	148
GN 42-50-M12-60-A0-*	50	M 12	60	13	2.5	-	60	45	15	-	11	17	8	130
GN 42-50-M12-60-A1-*	50	M 12	60	13	2.5	-	60	45	15	2	11	17	8	139
GN 42-50-M12-60-A3-*	50	M 12	60	13	2.5	4	60	45	15	-	11	17	8	141
GN 42-50-M12-80-A0-*	50	M 12	80	13	2.5	-	60	45	15	-	11	17	8	145
GN 42-50-M12-80-A1-*	50	M 12	80	13	2.5	-	60	45	15	2	11	17	8	154
GN 42-50-M12-80-A3-*	50	M 12	80	13	2.5	4	60	45	15	-	11	17	8	156
GN 42-50-M12-100-A0-*	50	M 12	100	13	2.5	-	60	45	15	-	11	17	8	159
GN 42-50-M12-100-A1-*	50	M 12	100	13	2.5	-	60	45	15	2	11	17	8	168
GN 42-50-M12-100-A3-*	50	M 12	100	13	2.5	4	60	45	15	-	11	17	8	170
GN 42-50-M12-125-A0-*	50	M 12	125	13	2.5	-	60	45	15	-	11	17	8	181
GN 42-50-M12-125-A1-*	50	M 12	125	13	2.5	-	60	45	15	2	11	17	8	190
GN 42-50-M12-125-A3-*	50	M 12	125	13	2.5	4	60	45	15	-	11	17	8	192
GN 42-60-M8-40-A0-*	60	M 8	40	13	2.5	-	65	50	15	-	11	17	8	98
GN 42-60-M8-40-A1-*	60	M 8	40	13	2.5	-	65	50	15	2	11	17	8	109
GN 42-60-M8-40-A3-*	60	M 8	40	13	2.5	4.5	65	50	15	-	11	17	8	118
GN 42-60-M8-50-A0-*	60	M 8	50	13	2.5	-	65	50	15	-	11	17	8	101
GN 42-60-M8-50-A1-*	60	M 8	50	13	2.5	-	65	50	15	2	11	17	8	112
GN 42-60-M8-50-A3-*	60	M 8	50	13	2.5	4.5	65	50	15	-	11	17	8	121
GN 42-60-M8-63-A0-*	60	M 8	63	13	2.5	-	65	50	15	-	11	17	8	105
GN 42-60-M8-63-A1-*	60	M 8	63	13	2.5	-	65	50	15	2	11	17	8	116
GN 42-60-M8-63-A3-*	60	M 8	63	13	2.5	4.5	65	50	15	-	11	17	8	125
GN 42-60-M10-50-A0-*	60	M 10	50	13	2.5	-	65	50	15	-	11	17	10	119
GN 42-60-M10-50-A1-*	60	M 10	50	13	2.5	-	65	50	15	2	11	17	10	130
GN 42-60-M10-50-A3-*	60	M 10	50	13	2.5	4.5	65	50	15	-	11	17	10	139
GN 42-60-M10-60-A0-*	60	M 10	60	13	2.5	-	65	50	15	-	11	17	10	136
GN 42-60-M10-60-A1-*	60	M 10	60	13	2.5	-	65	50	15	2	11	17	10	130
GN 42-60-M10-60-A3-*	60	M 10	60	13	2.5	4.5	65	50	15	-	11	17	10	156
GN 42-60-M10-80-A0-*	60	M 10	80	13	2.5	-	65	50	15	-	11	17	10	145
GN 42-60-M10-80-A1-*	60	M 10	80	13	2.5	-	65	50	15	2	11	17	10	156
GN 42-60-M10-80-A3-*	60	M 10	80	13	2.5	4.5	65	50	15	-	11	17	10	165
GN 42-60-M10-100-A0-*	60	M 10	100	13	2.5	-	65	50	15	-	11	17	10	155
GN 42-60-M10-100-A1-*	60	M 10	100	13	2.5	-	65	50	15	2	11	17	10	166
GN 42-60-M10-100-A3-*	60	M 10	100	13	2.5	4.5	65	50	15	-	11	17	10	175
GN 42-60-M12-60-A0-*	60	M 12	60	13	2.5	-	65	50	15	-	11	17	10	148
GN 42-60-M12-60-A1-*	60	M 12	60	13	2.5	-	65	50	15	2	11	17	10	159
GN 42-60-M12-60-A3-*	60	M 12	60	13	2.5	4.5	65	50	15	-	11	17	10	168
GN 42-60-M12-80-A0-*	60	M 12	80	13	2.5	-	65	50	15	-	11	17	10	163



Levelling elements 11



Levelling elements 11



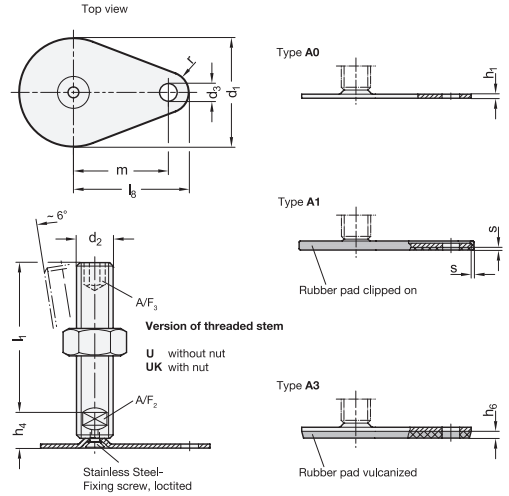
* Complete with version of the Levelling feet (External hexagon at the bottom)

S without nut **SK** with nut

GN 42-S/SK

Description	d1	d2	l1	d3	h1	h6	l8	m	r	s	h3	A/F 1	Static load in kN	⚖️
GN 42-60-M12-80-A1-*	60	M 12	80	13	2.5	-	65	50	15	-	11	17	10	178
GN 42-60-M12-80-A3-*	60	M 12	80	13	2.5	4.5	65	50	15	-	11	17	10	183
GN 42-60-M12-100-A0-*	60	M 12	100	13	2.5	-	65	50	15	-	11	17	10	177
GN 42-60-M12-100-A1-*	60	M 12	100	13	2.5	-	65	50	15	2	11	17	10	188
GN 42-60-M12-100-A3-*	60	M 12	100	13	2.5	4.5	65	50	15	-	11	17	10	197
GN 42-60-M12-125-A0-*	60	M 12	125	13	2.5	-	65	50	15	-	11	17	10	199
GN 42-60-M12-125-A1-*	60	M 12	125	13	2.5	-	65	50	15	2	11	17	10	210
GN 42-60-M12-125-A3-*	60	M 12	125	13	2.5	4.5	65	50	15	-	11	17	10	219
GN 42-80-M8-40-A0-*	80	M 8	40	13	3	-	85	70	15	-	12	17	8	181
GN 42-80-M8-40-A1-*	80	M 8	40	13	3	-	85	70	15	2	12	17	8	198
GN 42-80-M8-40-A3-*	80	M 8	40	13	3	5	85	70	15	-	12	17	8	219
GN 42-80-M8-50-A0-*	80	M 8	50	13	3	-	85	70	15	-	12	17	8	184
GN 42-80-M8-50-A1-*	80	M 8	50	13	3	-	85	70	15	2	12	17	8	201
GN 42-80-M8-50-A3-*	80	M 8	50	13	3	5	85	70	15	-	12	17	8	222
GN 42-80-M8-63-A0-*	80	M 8	63	13	3	-	85	70	15	-	12	17	8	188
GN 42-80-M8-63-A1-*	80	M 8	63	13	3	-	85	70	15	2	12	17	8	205
GN 42-80-M8-63-A3-*	80	M 8	63	13	3	5	85	70	15	-	12	17	8	226
GN 42-80-M10-50-A0-*	80	M 10	50	13	3	-	85	70	15	-	12	17	10	202
GN 42-80-M10-50-A1-*	80	M 10	50	13	3	-	85	70	15	2	12	17	10	219
GN 42-80-M10-50-A3-*	80	M 10	50	13	3	5	85	70	15	-	12	17	10	240
GN 42-80-M10-60-A0-*	80	M 10	60	13	3	-	85	70	15	-	12	17	10	219
GN 42-80-M10-60-A1-*	80	M 10	60	13	3	-	85	70	15	2	12	17	10	236
GN 42-80-M10-60-A3-*	80	M 10	60	13	3	5	85	70	15	-	12	17	10	257
GN 42-80-M10-80-A0-*	80	M 10	80	13	3	-	85	70	15	-	12	17	10	228
GN 42-80-M10-80-A1-*	80	M 10	80	13	3	-	85	70	15	2	12	17	10	245
GN 42-80-M10-80-A3-*	80	M 10	80	13	3	5	85	70	15	-	12	17	10	266
GN 42-80-M10-100-A0-*	80	M 10	100	13	3	-	85	70	15	-	12	17	10	238
GN 42-80-M10-100-A1-*	80	M 10	100	13	3	-	85	70	15	2	12	17	10	255
GN 42-80-M10-100-A3-*	80	M 10	100	13	3	5	85	70	15	-	12	17	10	276
GN 42-80-M12-60-A0-*	80	M 12	60	13	3	-	85	70	15	-	12	17	12	231
GN 42-80-M12-60-A1-*	80	M 12	60	13	3	-	85	70	15	2	12	17	12	248
GN 42-80-M12-60-A3-*	80	M 12	60	13	3	5	85	70	15	-	12	17	12	269
GN 42-80-M12-80-A0-*	80	M 12	80	13	3	-	85	70	15	-	12	17	12	246
GN 42-80-M12-80-A1-*	80	M 12	80	13	3	-	85	70	15	2	12	17	12	263
GN 42-80-M12-80-A3-*	80	M 12	80	13	3	5	85	70	15	-	12	17	12	284
GN 42-80-M12-100-A0-*	80	M 12	100	13	3	-	85	70	15	-	12	17	12	260
GN 42-80-M12-100-A1-*	80	M 12	100	13	3	-	85	70	15	2	12	17	12	277
GN 42-80-M12-100-A3-*	80	M 12	100	13	3	5	85	70	15	-	12	17	12	298
GN 42-80-M12-125-A0-*	80	M 12	125	13	3	-	85	70	15	-	12	17	12	282
GN 42-80-M12-125-A1-*	80	M 12	125	13	3	-	85	70	15	2	12	17	12	299
GN 42-80-M12-125-A3-*	80	M 12	125	13	3	5	85	70	15	-	12	17	12	320

Weight Version S



* Complete with version of the Levelling feet (Hexagon socket at the top / Wrench at the bottom)

U without nut
UK with nut

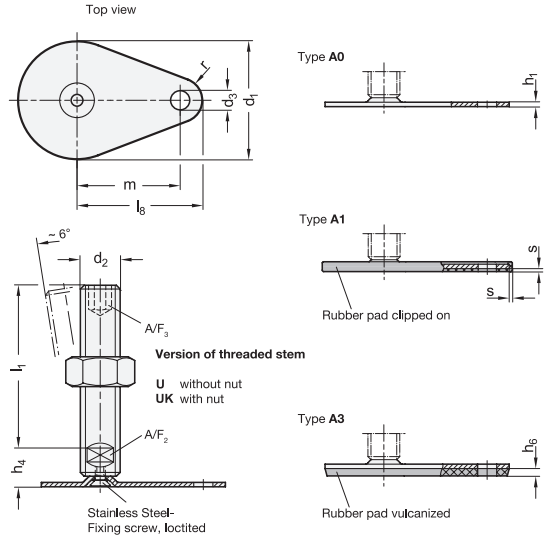
GN 42-U/UK

Description	d1	d2	l1	d3	h1	h6	l8	m	r	s	h4	A/F 2	A/F 3	Static load in kN	⚖
GN 42-50-M16-75-A0-*	50	M 16	75	13	2.5	-	60	45	15	-	17	12	8	8	163
GN 42-50-M16-75-A1-*	50	M 16	75	13	2.5	-	60	45	15	2	17	12	8	8	172
GN 42-50-M16-75-A3-*	50	M 16	75	13	2.5	4	60	45	15	-	17	12	8	8	176
GN 42-50-M16-100-A0-*	50	M 16	100	13	2.5	-	60	45	15	-	17	12	8	8	195
GN 42-50-M16-100-A1-*	50	M 16	100	13	2.5	-	60	45	15	2	17	12	8	8	204
GN 42-50-M16-100-A3-*	50	M 16	100	13	2.5	4	60	45	15	-	17	12	8	8	208
GN 42-50-M16-125-A0-*	50	M 16	125	13	2.5	-	60	45	15	-	17	12	8	8	227
GN 42-50-M16-125-A1-*	50	M 16	125	13	2.5	-	60	45	15	2	17	12	8	8	236
GN 42-50-M16-125-A3-*	50	M 16	125	13	2.5	4	60	45	15	-	17	12	8	8	240
GN 42-50-M16-150-A0-*	50	M 16	150	13	2.5	-	60	45	15	-	17	12	8	8	259
GN 42-50-M16-150-A1-*	50	M 16	150	13	2.5	-	60	45	15	2	17	12	8	8	268
GN 42-50-M16-150-A3-*	50	M 16	150	13	2.5	4	60	45	15	-	17	12	8	8	272
GN 42-50-M16-200-A0-*	50	M 16	200	13	2.5	-	60	45	15	-	17	12	8	8	319
GN 42-50-M16-200-A1-*	50	M 16	200	13	2.5	-	60	45	15	2	17	12	8	8	328
GN 42-50-M16-200-A3-*	50	M 16	200	13	2.5	4	60	45	15	-	17	12	8	8	332
GN 42-50-M16-250-A0-*	50	M 16	250	13	2.5	-	60	45	15	-	17	12	8	8	637
GN 42-50-M16-250-A1-*	50	M 16	250	13	2.5	-	60	45	15	2	17	12	8	8	646
GN 42-50-M16-250-A3-*	50	M 16	250	13	2.5	4	60	45	15	-	17	12	8	8	650
GN 42-60-M16-75-A0-*	60	M 16	75	13	2.5	-	65	50	15	-	17	12	8	10	181
GN 42-60-M16-75-A1-*	60	M 16	75	13	2.5	-	65	50	15	2	17	12	8	10	192
GN 42-60-M16-75-A3-*	60	M 16	75	13	2.5	4.5	65	50	15	-	17	12	8	10	201
GN 42-60-M16-100-A0-*	60	M 16	100	13	2.5	-	65	50	15	-	17	12	8	10	213
GN 42-60-M16-100-A1-*	60	M 16	100	13	2.5	-	65	50	15	2	17	12	8	10	224
GN 42-60-M16-100-A3-*	60	M 16	100	13	2.5	4.5	65	50	15	-	17	12	8	10	233
GN 42-60-M16-125-A0-*	60	M 16	125	13	2.5	-	65	50	15	-	17	12	8	10	245
GN 42-60-M16-125-A1-*	60	M 16	125	13	2.5	-	65	50	15	2	17	12	8	10	256
GN 42-60-M16-125-A3-*	60	M 16	125	13	2.5	4.5	65	50	15	-	17	12	8	10	265
GN 42-60-M16-150-A0-*	60	M 16	150	13	2.5	-	65	50	15	-	17	12	8	10	277
GN 42-60-M16-150-A1-*	60	M 16	150	13	2.5	-	65	50	15	2	17	12	8	10	288
GN 42-60-M16-150-A3-*	60	M 16	150	13	2.5	4.5	65	50	15	-	17	12	8	10	297
GN 42-60-M16-200-A0-*	60	M 16	200	13	2.5	-	65	50	15	-	17	12	8	10	337
GN 42-60-M16-200-A1-*	60	M 16	200	13	2.5	-	65	50	15	2	17	12	8	10	348
GN 42-60-M16-200-A3-*	60	M 16	200	13	2.5	4.5	65	50	15	-	17	12	8	10	357
GN 42-60-M16-250-A0-*	60	M 16	250	13	2.5	-	65	50	15	-	17	12	8	10	655
GN 42-60-M16-250-A1-*	60	M 16	250	13	2.5	-	65	50	15	2	17	12	8	10	666
GN 42-60-M16-250-A3-*	60	M 16	250	13	2.5	4.5	65	50	15	-	17	12	8	10	675
GN 42-80-M16-75-A0-*	80	M 16	75	13	3	-	85	70	15	-	18	12	8	12	264
GN 42-80-M16-75-A1-*	80	M 16	75	13	3	-	85	70	15	2	18	12	8	12	281
GN 42-80-M16-75-A3-*	80	M 16	75	13	3	5	85	70	15	-	18	12	8	12	301
GN 42-80-M16-100-A0-*	80	M 16	100	13	3	-	85	70	15	-	18	12	8	12	296
GN 42-80-M16-100-A1-*	80	M 16	100	13	3	-	85	70	15	2	18	12	8	12	313
GN 42-80-M16-100-A3-*	80	M 16	100	13	3	5	85	70	15	-	18	12	8	12	333
GN 42-80-M16-125-A0-*	80	M 16	125	13	3	-	85	70	15	-	18	12	8	12	328
GN 42-80-M16-125-A1-*	80	M 16	125	13	3	-	85	70	15	2	18	12	8	12	345
GN 42-80-M16-125-A3-*	80	M 16	125	13	3	5	85	70	15	-	18	12	8	12	365





Levelling elements 11



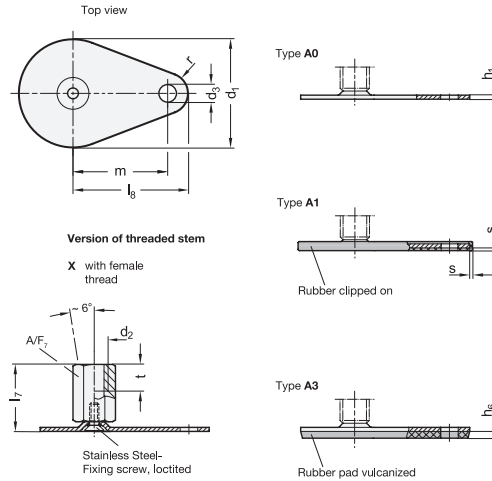
* Complete with version of the Levelling feet (Hexagon socket at the top / Wrench at the bottom)

U without nut **UK** with nut

GN 42-U/UK

Description	d1	d2	l1	d3	h1	h6	l8	m	r	s	h4	A/F 2	A/F 3	Static load in kN	⚖️
GN 42-80-M16-150-A0-*	80	M 16	150	13	3	-	85	70	15	-	18	12	8	12	360
GN 42-80-M16-150-A1-*	80	M 16	150	13	3	-	85	70	15	2	18	12	8	12	377
GN 42-80-M16-150-A3-*	80	M 16	150	13	3	5	85	70	15	-	18	12	8	12	397
GN 42-80-M16-200-A0-*	80	M 16	200	13	3	-	85	70	15	-	18	12	8	12	420
GN 42-80-M16-200-A1-*	80	M 16	200	13	3	-	85	70	15	2	18	12	8	12	437
GN 42-80-M16-200-A3-*	80	M 16	200	13	3	5	85	70	15	-	18	12	8	12	457
GN 42-80-M16-250-A0-*	80	M 16	250	13	3	-	85	70	15	-	18	12	8	12	738
GN 42-80-M16-250-A1-*	80	M 16	250	13	3	-	85	70	15	2	18	12	8	12	755
GN 42-80-M16-250-A3-*	80	M 16	250	13	3	5	85	70	15	-	18	12	8	12	775
GN 42-80-M20-75-A0-*	80	M 20	75	13	3	-	85	70	15	-	19	15	10	16	322
GN 42-80-M20-75-A1-*	80	M 20	75	13	3	-	85	70	15	2	19	15	10	16	339
GN 42-80-M20-75-A3-*	80	M 20	75	13	3	5	85	70	15	-	19	15	10	16	360
GN 42-80-M20-100-A0-*	80	M 20	100	13	3	-	85	70	15	-	19	15	10	16	372
GN 42-80-M20-100-A1-*	80	M 20	100	13	3	-	85	70	15	2	19	15	10	16	389
GN 42-80-M20-100-A3-*	80	M 20	100	13	3	5	85	70	15	-	19	15	10	16	410
GN 42-80-M20-125-A0-*	80	M 20	125	13	3	-	85	70	15	-	19	15	10	16	422
GN 42-80-M20-125-A1-*	80	M 20	125	13	3	-	85	70	15	2	19	15	10	16	439
GN 42-80-M20-125-A3-*	80	M 20	125	13	3	5	85	70	15	-	19	15	10	16	460
GN 42-80-M20-150-A0-*	80	M 20	150	13	3	-	85	70	15	-	19	15	10	16	471
GN 42-80-M20-150-A1-*	80	M 20	150	13	3	-	85	70	15	2	19	15	10	16	488
GN 42-80-M20-150-A3-*	80	M 20	150	13	3	5	85	70	15	-	19	15	10	16	509
GN 42-80-M20-200-A0-*	80	M 20	200	13	3	-	85	70	15	-	19	15	10	16	562
GN 42-80-M20-200-A1-*	80	M 20	200	13	3	-	85	70	15	2	19	15	10	16	579
GN 42-80-M20-200-A3-*	80	M 20	200	13	3	5	85	70	15	-	19	15	10	16	600
GN 42-80-M20-250-A0-*	80	M 20	250	13	3	-	85	70	15	-	19	15	10	16	1056
GN 42-80-M20-250-A1-*	80	M 20	250	13	3	-	85	70	15	2	19	15	10	16	1073
GN 42-80-M20-250-A3-*	80	M 20	250	13	3	5	85	70	15	-	19	15	10	16	1094
GN 42-80-M24-100-A0-*	80	M 24	100	13	3	-	85	70	15	-	22	19	12	16	474
GN 42-80-M24-100-A1-*	80	M 24	100	13	3	-	85	70	15	2	22	19	12	16	491
GN 42-80-M24-100-A3-*	80	M 24	100	13	3	5	85	70	15	-	22	19	12	16	510
GN 42-80-M24-125-A0-*	80	M 24	125	13	3	-	85	70	15	-	22	19	12	16	546
GN 42-80-M24-125-A1-*	80	M 24	125	13	3	-	85	70	15	2	22	19	12	16	563
GN 42-80-M24-125-A3-*	80	M 24	125	13	3	5	85	70	15	-	22	19	12	16	582
GN 42-80-M24-150-A0-*	80	M 24	150	13	3	-	85	70	15	-	22	19	12	16	618
GN 42-80-M24-150-A1-*	80	M 24	150	13	3	-	85	70	15	2	22	19	12	16	635
GN 42-80-M24-150-A3-*	80	M 24	150	13	3	5	85	70	15	-	22	19	12	16	654
GN 42-80-M24-200-A0-*	80	M 24	200	13	3	-	85	70	15	-	22	19	12	16	756
GN 42-80-M24-200-A1-*	80	M 24	200	13	3	-	85	70	15	2	22	19	12	16	773
GN 42-80-M24-200-A3-*	80	M 24	200	13	3	5	85	70	15	-	22	19	12	16	792
GN 42-80-M24-300-A0-*	80	M 24	300	13	3	-	85	70	15	-	22	19	12	16	1631
GN 42-80-M24-300-A1-*	80	M 24	300	13	3	-	85	70	15	2	22	19	12	16	1648
GN 42-80-M24-300-A3-*	80	M 24	300	13	3	5	85	70	15	-	22	19	12	16	1667

Weight Version U



GN 42-X

Description	d1	d2	l7	d3	h1	h6	l8	m	r	s	A/F 7	t	Static load in kN	Icon
GN 42-50-M8-25-A0-X	50	M 8	25	13	2.5	-	60	45	15	-	14	8	8	103
GN 42-50-M8-25-A1-X	50	M 8	25	13	2.5	-	60	45	15	2	14	8	8	112
GN 42-50-M8-25-A3-X	50	M 8	25	13	2.5	4	60	45	15	-	14	8	8	114
GN 42-50-M10-28-A0-X	50	M 10	28	13	2.5	-	60	45	15	-	14	10	8	101
GN 42-50-M10-28-A1-X	50	M 10	28	13	2.5	-	60	45	15	2	14	10	8	110
GN 42-50-M10-28-A3-X	50	M 10	28	13	2.5	4	60	45	15	-	14	10	8	112
GN 42-50-M12-32-A0-X	50	M 12	32	13	2.5	-	60	45	15	-	17	12	8	117
GN 42-50-M12-32-A1-X	50	M 12	32	13	2.5	-	60	45	15	2	17	12	8	126
GN 42-50-M12-32-A3-X	50	M 12	32	13	2.5	4	60	45	15	-	17	12	8	128
GN 42-50-M16-37-A0-X	50	M 16	37	13	2.5	-	60	45	15	-	22	16	8	134
GN 42-50-M16-37-A1-X	50	M 16	37	13	2.5	-	60	45	15	2	22	16	8	143
GN 42-50-M16-37-A3-X	50	M 16	37	13	2.5	4	60	45	15	-	22	16	8	165
GN 42-60-M8-25-A0-X	60	M 8	25	13	2.5	-	65	50	15	-	14	8	8	121
GN 42-60-M8-25-A1-X	60	M 8	25	13	2.5	-	65	50	15	2	14	8	8	132
GN 42-60-M8-25-A3-X	60	M 8	25	13	2.5	4.5	65	50	15	-	14	8	8	141
GN 42-60-M10-28-A0-X	60	M 10	28	13	2.5	-	65	50	15	-	14	10	10	119
GN 42-60-M10-28-A1-X	60	M 10	28	13	2.5	-	65	50	15	2	14	10	10	130
GN 42-60-M10-28-A3-X	60	M 10	28	13	2.5	4.5	65	50	15	-	14	10	10	139
GN 42-60-M12-32-A0-X	60	M 12	32	13	2.5	-	65	50	15	-	17	12	10	135
GN 42-60-M12-32-A1-X	60	M 12	32	13	2.5	-	65	50	15	2	17	12	10	146
GN 42-60-M12-32-A3-X	60	M 12	32	13	2.5	4.5	65	50	15	-	17	12	10	155
GN 42-60-M16-37-A0-X	60	M 16	37	13	2.5	-	65	50	15	-	22	16	10	152
GN 42-60-M16-37-A1-X	60	M 16	37	13	2.5	-	65	50	15	2	22	16	10	163
GN 42-60-M16-37-A3-X	60	M 16	37	13	2.5	4.5	65	50	15	-	22	16	10	190
GN 42-80-M8-26-A0-X	80	M 8	26	13	3	-	85	70	15	-	14	8	8	204
GN 42-80-M8-26-A1-X	80	M 8	26	13	3	-	85	70	15	2	14	8	8	221
GN 42-80-M8-26-A3-X	80	M 8	26	13	3	5	85	70	15	-	14	8	8	242
GN 42-80-M10-29-A0-X	80	M 10	29	13	3	-	85	70	15	-	14	10	10	202
GN 42-80-M10-29-A1-X	80	M 10	29	13	3	-	85	70	15	2	14	10	10	219
GN 42-80-M10-29-A3-X	80	M 10	29	13	3	5	85	70	15	-	14	10	10	240
GN 42-80-M12-32-A0-X	80	M 12	32	13	3	-	85	70	15	-	17	12	12	218
GN 42-80-M12-32-A1-X	80	M 12	32	13	3	-	85	70	15	2	17	12	12	235
GN 42-80-M12-32-A3-X	80	M 12	32	13	3	5	85	70	15	-	17	12	12	256
GN 42-80-M16-38-A0-X	80	M 16	38	13	3	-	85	70	15	-	22	16	12	235
GN 42-80-M16-38-A1-X	80	M 16	38	13	3	-	85	70	15	2	22	16	12	252
GN 42-80-M16-38-A3-X	80	M 16	38	13	3	5	85	70	15	-	22	16	12	290
GN 42-80-M20-45-A0-X	80	M 20	45	13	3	-	85	70	15	-	27	20	16	297
GN 42-80-M20-45-A1-X	80	M 20	45	13	3	-	85	70	15	2	27	20	16	314
GN 42-80-M20-45-A3-X	80	M 20	45	13	3	5	85	70	15	-	27	20	16	353



Levelling elements 11

X-ON Electronics

Largest Supplier of Electrical and Electronic Components

Click to view similar products for [Mounting Fixings](#) category:

Click to view products by [Elesa & Ganter](#) manufacturer:

Other Similar products are found below :

[007541](#) [627](#) [M3783-7001](#) [7717-8DAP](#) [FPK-02-R10](#) [PMS27488-001-01](#) [1-18023-0](#) [H-118-2](#) [DB1](#) [1302030464](#) [1302010957](#) [1302263564](#)
[1302340393](#) [1404-0016-78](#) [14540](#) [1566](#) [1566](#) [BR16A](#) [NT20SATT01](#) [22594-8](#) [KBB-141](#) [915060](#) [SF4011-60101](#) [97-CS-50](#) [1671](#) [1855-54](#)
[T-2085-SP](#) [20800240002](#) [21899-4](#) [2193](#) [2518](#) [25745-1](#) [H-118-1](#) [354467](#) [37184](#) [4658](#) [4665](#) [4731](#) [BRACKET-RA-30](#) [5500083](#)
[HS5659MB98SN](#) [561-T001](#) [4222522019-542](#) [LF9Z-1SB22](#) [4601463120-542](#) [4674](#) [100101850001](#) [EN3155-015F2020](#) [WMLX-109](#) [374170](#)