

## Stainless Steel-Levelling feet

with rubber underlay, vulcanized

### SPECIFICATION

Stainless Steel AISI 304

Rubber underlay

Acrylonitrile butadiene rubber (NBR)

- vulcanized
- black
- temperature resistant up to 120 °C
- Hardness Shore A **70**

### INFORMATION

GN 439.5 levelling feet are used for installing smaller machines, systems or devices.

Thanks to the rubber underlay, they have a damping, noise-reducing effect and prevent surface damage. They are also designed such that the threaded spindle can absorb compressive forces. This is necessary because the retaining washer is not evenly supported during leveling.

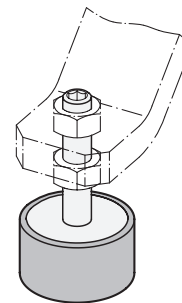
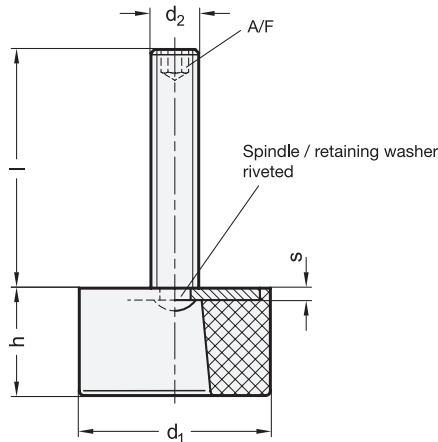
Thanks to the stable rivet connection between the threaded spindle and the retaining washer, the introduced forces can be reliably transmitted to the rubber underlay.

### TECHNICAL INFORMATION

- Strength values of screws (see page A20)
- Elastomer characteristics (see page A32)
- Stainless Steel characteristics (see page A26)

### ON REQUEST

- other spindle diameters and lengths



### GN 439.5

STAINLESS STEEL

Description	d1	d2	l	h	s	A/F	Static load in N ≈	⚖
GN 439.5-19-M6-30-70	19	M 6	30	14	1.5	3	240	25
GN 439.5-19-M6-45-70	19	M 6	45	14	1.5	3	240	30
GN 439.5-25-M6-30-70	25	M 6	30	16	1.5	3	540	32
GN 439.5-25-M6-45-70	25	M 6	45	16	1.5	3	540	35
GN 439.5-32-M8-40-70	32	M 8	40	18	2	4	840	38
GN 439.5-32-M8-65-70	32	M 8	65	18	2	4	840	45
GN 439.5-38-M8-40-70	38	M 8	40	20	2	4	920	54
GN 439.5-38-M8-65-70	38	M 8	65	20	2	4	920	59
GN 439.5-50-M10-45-70	50	M 10	45	22	2.5	5	2500	100
GN 439.5-50-M10-70-70	50	M 10	70	22	2.5	5	2500	112
GN 439.5-64-M10-45-70	64	M 10	45	26	2.5	5	3700	178
GN 439.5-64-M10-70-70	64	M 10	70	26	2.5	5	3700	190

## **X-ON Electronics**

Largest Supplier of Electrical and Electronic Components

*Click to view similar products for [Mounting Fixings](#) category:*

*Click to view products by [Elesa & Ganter](#) manufacturer:*

Other Similar products are found below :

[007310](#) [007541](#) [6-141-P](#) [620HA038NF09](#) [620HA038NF11](#) [71-074914-006](#) [71-146610-6H](#) [712HA170B23128-N](#) [75-69116-8S](#) [75-69211-3P](#)  
[75-69224-28P](#) [75-69224-5S](#) [770-006A109](#) [770-006A109R](#) [770-006A207](#) [770-006A208W1](#) [770-006A209](#) [770-006A306](#) [770-006A703W1](#)  
[770-006A704](#) [770-006A704W1](#) [770-006A705](#) [770-006A706](#) [770-006A706W1](#) [770-006A707](#) [770-006A709](#) [770-007A203](#) [770-007A203W1](#)  
[770-007A204W1](#) [770-007A207W1](#) [770-007A703](#) [770-007A704W1](#) [770-007A706](#) [770-007A707W1](#) [770-010Y208](#) [770-010Y308](#) [770-](#)  
[010Y705](#) [770-010Y706](#) [770-010Y707W1](#) [770-011T201](#) [770-011T203](#) [770-011T701W1](#) [770-011T702](#) [770-011T702W1](#) [770-011T703](#) [770-](#)  
[013311](#) [770-013312](#) [770-013709](#) [770-013711](#) [770-013711W1](#)