

## Levelling feet

with rubber underlay, vulcanized

### SPECIFICATION

- Steel
- Tensile strength class 5
- zinc plated, blue passivated
- Rubber underlay
- Acrylonitrile butadiene rubber (NBR)
  - vulcanized
  - black
  - temperature resistant up to 120 °C
  - Hardness Shore A **70**

### INFORMATION

GN 439 levelling feet are used for installing smaller machines, systems or devices.

Thanks to the rubber underlay, they have a damping, noise-reducing effect and prevent surface damage. They are also designed such that the threaded spindle can absorb compressive forces. This is necessary because the retaining washer is not evenly supported during leveling.

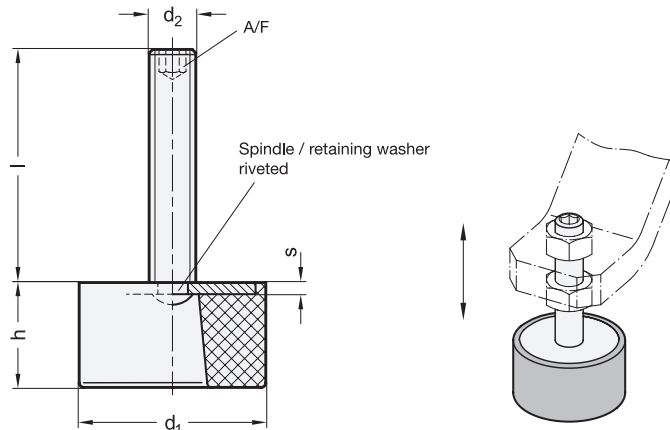
Thanks to the stable rivet connection between the threaded spindle and the retaining washer, the introduced forces can be reliably transmitted to the rubber underlay.

### TECHNICAL INFORMATION

- Strength values of screws (see page A20)
- Elastomer characteristics (see page A32)

### ON REQUEST

- other spindle diameters and lengths



### GN 439

Description	d1	d2	l	h	s	A/F	Static load in N $\approx$	
GN 439-19-M6-30-70	19	M 6	30	14	1.5	3	240	12
GN 439-19-M6-45-70	19	M 6	45	14	1.5	3	240	14
GN 439-25-M6-30-70	25	M 6	30	16	1.5	3	540	20
GN 439-25-M6-45-70	25	M 6	45	16	1.5	3	540	22
GN 439-32-M8-40-70	32	M 8	40	18	2	4	840	37
GN 439-32-M8-65-70	32	M 8	65	18	2	4	840	40
GN 439-38-M8-40-70	38	M 8	40	20	2	4	920	52
GN 439-38-M8-65-70	38	M 8	65	20	2	4	920	57
GN 439-50-M10-45-70	50	M 10	45	22	2.5	5	2500	100
GN 439-50-M10-70-70	50	M 10	70	22	2.5	5	2500	110
GN 439-64-M10-45-70	64	M 10	45	26	2.5	5	3700	130
GN 439-64-M10-70-70	64	M 10	70	26	2.5	5	3700	177

## X-ON Electronics

Largest Supplier of Electrical and Electronic Components

*Click to view similar products for [Mounting Fixings](#) category:*

*Click to view products by [Elesa & Ganter](#) manufacturer:*

Other Similar products are found below :

[007310](#) [007541](#) [6-141-P](#) [620HA038NF09](#) [620HA038NF11](#) [71-074914-006](#) [71-146610-6H](#) [712HA170B23128-N](#) [75-69116-8S](#) [75-69211-3P](#)  
[75-69224-28P](#) [75-69224-5S](#) [770-006A109](#) [770-006A109R](#) [770-006A207](#) [770-006A208W1](#) [770-006A209](#) [770-006A306](#) [770-006A703W1](#)  
[770-006A704](#) [770-006A704W1](#) [770-006A705](#) [770-006A706](#) [770-006A706W1](#) [770-006A707](#) [770-006A709](#) [770-007A203](#) [770-007A203W1](#)  
[770-007A204W1](#) [770-007A207W1](#) [770-007A703](#) [770-007A704W1](#) [770-007A706](#) [770-007A707W1](#) [770-010Y208](#) [770-010Y308](#) [770-](#)  
[010Y705](#) [770-010Y706](#) [770-010Y707W1](#) [770-011T201](#) [770-011T203](#) [770-011T701W1](#) [770-011T702](#) [770-011T702W1](#) [770-011T703](#) [770-](#)  
[013311](#) [770-013312](#) [770-013709](#) [770-013711](#) [770-013711W1](#)