

Spring elements

SPECIFICATION

Types

- Type **I**: Female thread
- Type **K**: Pointed nose
- Type **H**: Semi-spherical, Steel
- Type **P**: Prism (120°)

Identification No.

- Version **1**: standard spring load
- Version **2**: high spring load

Steel

Threaded sleeve
zinc plated, blue passivated

Spring bolt
case hardened, blackened

Identification

standard spring load:
Crescent shaped ring
phosphated (anthracite)

high spring load:
Crescent shaped ring
zinc plated, blue passivated

INFORMATION

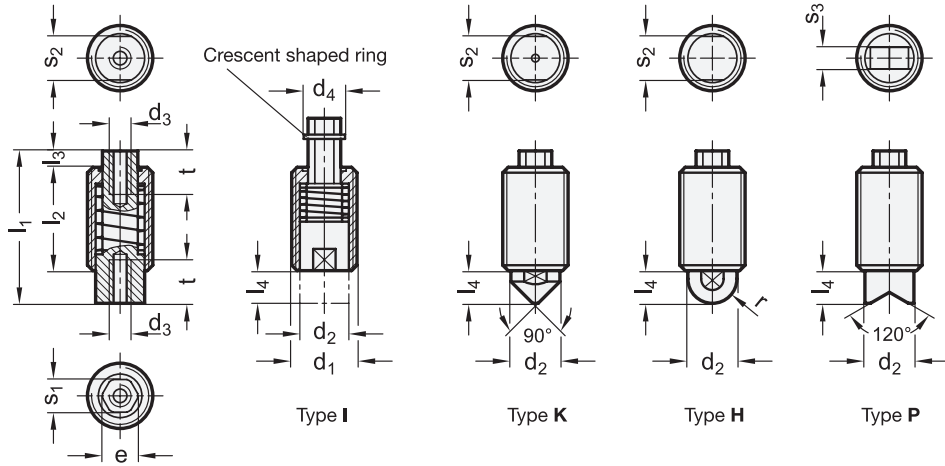
Spring elements GN 513 are universal pressure elements used as detents, positioners or for clamping with spring pressure. The spring loaded nose can be used for a push-on or push-off operation. In addition the spring loaded nose cannot rotate.

At the pulling end the female thread will accept a pulling rod or an operating knob.

Type I with a female thread at the pushing end can be fitted with a special plunger nose.

The spring element can be screwed into a thread at the hexagon on the pulling end or the spanner flats at the pushing end of the plunger.





GN 513

Description	d1	d2	d3	d4	e	l1	l2	l3	l4	r	s1	s2	s3	t min.	Spring load in N ≈ initial	Spring load in N ≈ end	⚖
GN 513-M12x1,5-I-1	M 12 x 1,5	9	M 4	7,6	6,5	28	19	3	6	-	6	8	-	8	16	35	10
GN 513-M16x1,5-I-1	M 16 x 1,5	12	M 5	8,8	7,8	38	27	3	8	-	7	10	-	10	25	71	31
GN 513-M20x1,5-I-1	M 20 x 1,5	14,5	M 6	11,4	10	47	33	4	10	-	9	12	-	12	40	130	65
GN 513-M12x1,5-P-1	M 12 x 1,5	9	M 4	7,6	6,5	28	19	3	6	-	6	-	4	8	16	35	12
GN 513-M16x1,5-P-1	M 16 x 1,5	12	M 5	8,8	7,8	38	27	3	8	-	7	-	6	10	25	71	30
GN 513-M20x1,5-P-1	M 20 x 1,5	14,5	M 6	11,4	10	47	33	4	10	-	9	-	8	12	40	130	64
GN 513-M12x1,5-K-1	M 12 x 1,5	9	M 4	7,6	6,5	28	19	3	6	-	6	8	-	8	16	35	13
GN 513-M16x1,5-K-1	M 16 x 1,5	12	M 5	8,8	7,8	38	27	3	8	-	7	10	-	10	25	71	30
GN 513-M20x1,5-K-1	M 20 x 1,5	14,5	M 6	11,4	10	47	33	4	10	-	9	12	-	12	40	130	65
GN 513-M12x1,5-H-1	M 12 x 1,5	9	M 4	7,6	6,5	28	19	3	6	4,5	6	8	-	-	16	35	15
GN 513-M16x1,5-H-1	M 16 x 1,5	12	M 5	8,8	7,8	38	27	3	8	6	7	10	-	-	25	71	30
GN 513-M20x1,5-H-1	M 20 x 1,5	14,5	M 6	11,4	10	47	33	4	10	7,2	9	12	-	-	40	130	66
GN 513-M12x1,5-I-2	M 12 x 1,5	9	M 4	7,6	6,5	28	19	3	6	-	6	8	-	8	18	56	12
GN 513-M16x1,5-I-2	M 16 x 1,5	12	M 5	8,8	7,8	38	27	3	8	-	7	10	-	10	45	125	31
GN 513-M20x1,5-I-2	M 20 x 1,5	14,5	M 6	11,4	10	47	33	4	10	-	9	12	-	12	66	200	66
GN 513-M12x1,5-P-2	M 12 x 1,5	9	M 4	7,6	6,5	28	19	3	6	-	6	-	4	8	18	56	12
GN 513-M16x1,5-P-2	M 16 x 1,5	12	M 5	8,8	7,8	38	27	3	8	-	7	-	6	10	45	125	30
GN 513-M20x1,5-P-2	M 20 x 1,5	14,5	M 6	11,4	10	47	33	4	10	-	9	-	8	12	66	200	65
GN 513-M12x1,5-K-2	M 12 x 1,5	9	M 4	7,6	6,5	28	19	3	6	-	6	8	-	8	18	56	12
GN 513-M16x1,5-K-2	M 16 x 1,5	12	M 5	8,8	7,8	38	27	3	8	-	7	10	-	10	45	125	30
GN 513-M20x1,5-K-2	M 20 x 1,5	14,5	M 6	11,4	10	47	33	4	10	-	9	12	-	12	66	200	64
GN 513-M12x1,5-H-2	M 12 x 1,5	9	M 4	7,6	6,5	28	19	3	6	4,5	6	8	-	-	18	56	10
GN 513-M16x1,5-H-2	M 16 x 1,5	12	M 5	8,8	7,8	38	27	3	8	6	7	10	-	-	45	125	32
GN 513-M20x1,5-H-2	M 20 x 1,5	14,5	M 6	11,4	10	47	33	4	10	7,2	9	12	-	-	66	200	67

X-ON Electronics

Largest Supplier of Electrical and Electronic Components

Click to view similar products for [Hand Tools](#) category:

Click to view products by [Elesa & Ganter](#) manufacturer:

Other Similar products are found below :

[58284-1](#) [59773-1](#) [662908-1](#) [68764-0001](#) [690619-6](#) [7-354778-7](#) [768531-1](#) [810131](#) [81541-16](#) [854183-1](#) [854358-1](#) [90855-1](#) [992258-1](#) [1-21046-3](#) [121073-0047](#) [1-22278-0](#) [1-22278-2](#) [1-24954-2](#) [125529-5](#) [126513-1](#) [1-305579-8](#) [1-306027-0](#) [1338968-2](#) [1-354779-0](#) [1-354779-2](#) [1-354779-4](#) [1424443-1](#) [1424266-1](#) [1424289-1](#) [1424444-1](#) [1532195-2](#) [1538773-2](#) [1-692134-3](#) [HT-920A-124-HTELE-RPL-KIT](#) [1976923-1](#) [1976969-1](#) [2063795-1](#) [2-21002-1](#) [2-21002-4](#) [2-21002-7](#) [2-21002-9](#) [229707-1](#) [911737-2](#) [91348-2](#) [925980-R](#) [301185-9](#) [983533-1](#) [1-694433-7](#)
[AD-1547-1-INSTALL-TOOL](#) [189766-1](#)