

## Stainless Steel-Cabinet "U" handles

### SPECIFICATION

#### Types

- Type **A**: Mounting from the back (threaded blind bore)
- Type **B**: Mounting from the operator's side

Stainless Steel

- AISI 304
- Type B (size 20): Fine die casting, AISI CF-8
- matte shot-blasted **GS**
- slip polished, shiny metallic **GP** (only Type A)

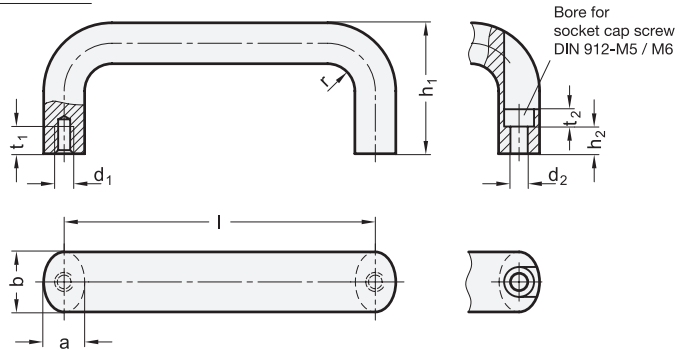
### INFORMATION

The special features of Stainless Steel-Cabinet „U" handles GN 565.5 are their rigidity and ergonomical shaping.

Stainless Steel-Cabinet „U" handles (Type A) are produced from profiled extrusions. The manufacturing process (bending) allows the production of **special lengths** in relatively small quantities.

### TECHNICAL INFORMATION

- Stainless Steel characteristics (see page A26)
- Load rating information (see page A35)



### GN 565.5

STAINLESS STEEL

Description	b	l ±0.25	a	d1	d2	h1	h2	r	t1 min.	t2	⚖
GN 565.5-20-112-A-GS	20	112	13	M 6	-	49	-	13	10	-	280
GN 565.5-20-128-A-GS	20	128	13	M 6	-	51	-	13	10	-	300
GN 565.5-20-160-A-GS	20	160	13	M 6	-	51	-	13	10	-	360
GN 565.5-20-200-A-GS	20	200	13	M 6	-	51	-	13	10	-	420
GN 565.5-20-250-A-GS	20	250	13	M 6	-	51	-	13	10	-	517
GN 565.5-20-300-A-GS	20	300	13	M 6	-	51	-	13	10	-	580
GN 565.5-20-400-A-GS	20	400	13	M 6	-	51	-	13	10	-	737
GN 565.5-26-128-A-GS	26	128	17	M 8	-	57	-	19	12	-	520
GN 565.5-26-160-A-GS	26	160	17	M 8	-	57	-	19	12	-	600
GN 565.5-26-200-A-GS	26	200	17	M 8	-	57	-	19	12	-	715
GN 565.5-26-300-A-GS	26	300	17	M 8	-	57	-	19	12	-	990
GN 565.5-26-400-A-GS	26	400	17	M 8	-	57	-	19	12	-	1260
GN 565.5-26-500-A-GS	26	500	17	M 8	-	57	-	19	12	-	1525
GN 565.5-20-112-A-GP	20	112	13	M 6	-	49	-	13	10	-	293
GN 565.5-20-128-A-GP	20	128	13	M 6	-	51	-	13	10	-	300
GN 565.5-20-160-A-GP	20	160	13	M 6	-	51	-	13	10	-	360
GN 565.5-20-200-A-GP	20	200	13	M 6	-	51	-	13	10	-	440
GN 565.5-26-128-A-GP	26	128	17	M 8	-	57	-	19	12	-	513
GN 565.5-26-160-A-GP	26	160	17	M 8	-	57	-	19	12	-	595
GN 565.5-26-200-A-GP	26	200	17	M 8	-	57	-	19	12	-	705
GN 565.5-20-112-B-GS	20	112	13	-	5.4	-	13.5	13	-	5.5	240
GN 565.5-20-128-B-GS	20	128	13	-	5.4	-	13.5	13	-	5.5	280
GN 565.5-20-160-B-GS	20	160	13	-	5.4	-	13.5	13	-	5.5	340
GN 565.5-26-128-B-GS	26	128	17	-	6.4	-	11	19	-	6	451
GN 565.5-26-160-B-GS	26	160	17	-	6.4	-	11	19	-	6	463
GN 565.5-26-200-B-GS	26	200	17	-	6.4	-	11	19	-	6	769



## X-ON Electronics

Largest Supplier of Electrical and Electronic Components

*Click to view similar products for [Mounting Fixings](#) category:*

*Click to view products by [Elesa & Ganter](#) manufacturer:*

Other Similar products are found below :

[71-344699-4S](#) [71-441549-19S](#) [75-69211-3P](#) [75-69214-6P](#) [75-69224-28P](#) [75-69232-17S](#) [7717-8DAP](#) [85043GULPR](#) [PMS27488-001-01](#) [1-18023-0](#) [H-118-2](#) [D83999/20WC8SN](#) [1301790551](#) [DC31-14W19PN](#) [DC31-14W19PW](#) [DC37-14-19PW](#) [1302010957](#) [1302263564](#)  
[1302340393](#) [1404-0013-84](#) [1404-0016-78](#) [HS5659MB98PN](#) [NT20SATT01](#) [20800000003](#) [22594-8](#) [89078GBEPR](#) [89078GBESR](#) [SF4011-60101](#) [1671](#) [LS10215R14-15PN](#) [LS10215R14-7PN L/C](#) [1855-54](#) [21899-4](#) [2193](#) [2518](#) [H-118-1](#) [D38899/26WJ4BN](#) [HS5659MB35PN](#)  
[HS5659MB98SN](#) [DC31-14-19PN](#) [DC37-14-19PN](#) [LF9Z-1SB22](#) [WMLX-109](#) [364202K01V167](#) [ELXA051G1](#) [2547](#) [1453315-11](#) [71-146608-2P](#) [71-148608-2S](#) [75-69224-28G](#)