

Shackles

straight version

SPECIFICATION

Types

- Type **A**: with stud bolt
- Type **B**: Bolt with nut and split pin

Ring bracket

- Heat-treated steel, die-forged
- hot-dip galvanised

Bolt

- Heat-treated steel, die-forged
- galvanic zinc plated, lacquered

INFORMATION

High-strength, straight shackles GN 584 are made in analogy with the US Federal Specification RR-C-271 and feature sixfold safety standards, which means that the minimum failure load is at least six times greater than the value of the nominal load (WLL).

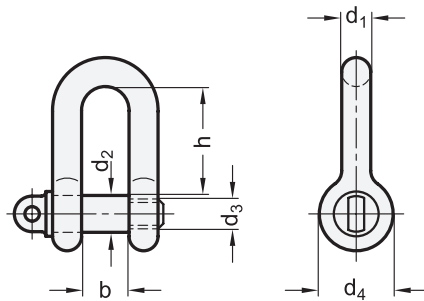
The rated size and the nominal load (WLL) are drop-forged into the shackle which makes it easier to select the proper sling gear. In general, the nominal load must not be exceeded.

The designs with nut and split pin (Type B) are normally recommended for permanent connections. The bolts are allowed to rotate, and the nuts are secured against inadvertent loosening with a split pin.

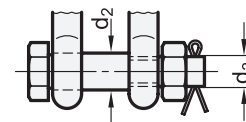
Operating instructions with more details and specifications are included with every delivery.



Type A



Type B



* Complete with type index of the Shackles (A or B)

- A** with stud bolt
- B** Bolt with nut and split pin

GN 584

Description	d1 Nominal size	d1 In inch	b ±1	d2 ±0.5	d3** UNC-thread	d4	h	Nominal load (WLL)	⚖️
GN 584-6-*	6	1/4	12	8	5/16	17	22	0.5 t [5.0 kN]	45
GN 584-8-*	8	5/16	13	10	3/8	21	26	0.75 t [7.5 kN]	80
GN 584-10-*	10	3/8	16	12	7/16	26	31	1.0 t [10 kN]	120
GN 584-11-*	11	7/16	18	14	1/2	28	36	1.5 t [15 kN]	180
GN 584-13-*	13	1/2	21	16	5/8	30	41	2.0 t [20 kN]	350
GN 584-16-*	16	5/8	27	19	3/4	42	51	3.25 t [32.5 kN]	595
GN 584-19-*	19	3/4	32	22	7/8	48	60	4.75 t [47.5 kN]	900
GN 584-22-*	22	7/8	36	25	1	57	71	6.5 t [65.0 kN]	1200
GN 584-25-*	25	1	43	28	1 1/8	62	81	8.5 t [85.0 kN]	1800

** in general, the bolts and screws are threaded as specified. Variances are possible, however.

X-ON Electronics

Largest Supplier of Electrical and Electronic Components

Click to view similar products for [Mounting Fixings](#) category:

Click to view products by [Elesa & Ganter](#) manufacturer:

Other Similar products are found below :

[007310](#) [007541](#) [6-141-P](#) [620HA038NF09](#) [620HA038NF11](#) [71-074914-006](#) [71-146610-6H](#) [712HA170B23128-N](#) [71-441549-19S](#) [71-490451-4H](#) [75-69211-3P](#) [75-69220-27S](#) [75-69224-5S](#) [770-006A109](#) [770-006A109R](#) [770-006A207](#) [770-006A208W1](#) [770-006A209](#) [770-006A306](#) [770-006A703W1](#) [770-006A704](#) [770-006A704W1](#) [770-006A705](#) [770-006A706](#) [770-006A706W1](#) [770-006A707](#) [770-006A709](#) [770-007A203](#) [770-007A203W1](#) [770-007A204W1](#) [770-007A207W1](#) [770-007A703](#) [770-007A704W1](#) [770-007A706](#) [770-007A707W1](#) [770-010Y208](#) [770-010Y308](#) [770-010Y705](#) [770-010Y706](#) [770-010Y707W1](#) [770-011T201](#) [770-011T203](#) [770-011T701W1](#) [770-011T702](#) [770-011T702W1](#) [770-011T703](#) [770-013210W1](#) [770-013311](#) [770-013312](#) [770-013709](#)