

Shackles

cranked version

SPECIFICATION

Types

- Type **A**: with stud bolt
- Type **B**: Bolt with nut and split pin

Ring bracket

- Heat-treated steel, die-forged
- hot-dip galvanised

Bolt

- Heat-treated steel, die-forged
- galvanic zinc plated, lacquered

INFORMATION

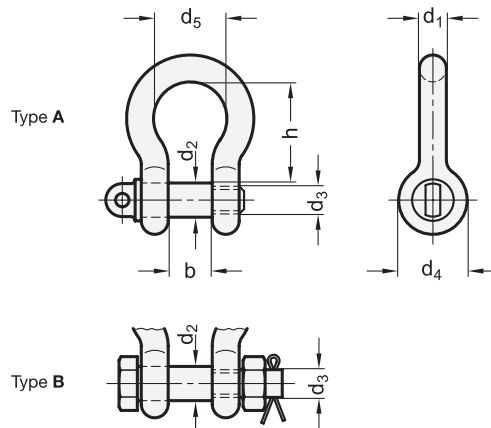
High-strength, straight shackles GN 585 are made in analogy with the US Federal Specification RR-C-271 and feature sixfold safety standards, which means that the minimum failure load is at least six times greater than the value of the nominal load (WLL).

The cranked shape is particularly suitable for applications where the shackles are exposed to multiple loads.

The rated size and the nominal load (WLL) are drop-forged into the shackle which makes it easier to select the proper sling gear. In general, the nominal load must not be exceeded.

The designs with nut and split pin (Type B) are normally recommended for permanent connections. The bolts are allowed to rotate, and the nuts are secured against inadvertent loosening with a split pin.

Operating instructions with more details and specification are included with every delivery.



* Complete with type index of the Shackles (A or B)

- | | |
|----------------|-----------------------------|
| A | B |
| with stud bolt | Bolt with nut and split pin |

GN 585

| Description | d1 Nominal size | d1 In inch | b ±1 | d2 ±0.5 | d3** UNC-thread | d4 | d5 | h | Nominal load (WLL) | ⚖️ |
|-------------|-----------------|------------|------|---------|-----------------|----|----|----|--------------------|------|
| GN 585-6-* | 6 | 1/4 | 12 | 8 | 5/16 | 17 | 19 | 28 | 0.5 t [5.0 kN] | 50 |
| GN 585-8-* | 8 | 5/16 | 13 | 10 | 3/8 | 21 | 21 | 31 | 0.75 t [7.5 kN] | 80 |
| GN 585-10-* | 10 | 3/8 | 16 | 12 | 7/16 | 26 | 24 | 36 | 1.0 t [10 kN] | 130 |
| GN 585-11-* | 11 | 7/16 | 18 | 14 | 1/2 | 28 | 27 | 42 | 1.5 t [15 kN] | 220 |
| GN 585-13-* | 13 | 1/2 | 21 | 16 | 5/8 | 30 | 30 | 48 | 2.0 t [20 kN] | 350 |
| GN 585-16-* | 16 | 5/8 | 27 | 19 | 3/4 | 42 | 38 | 60 | 3.25 t [32.5 kN] | 650 |
| GN 585-19-* | 19 | 3/4 | 32 | 22 | 7/8 | 48 | 45 | 71 | 4.75 t [47.5 kN] | 1050 |
| GN 585-22-* | 22 | 7/8 | 36 | 25 | 1 | 57 | 51 | 84 | 6.5 t [65.0 kN] | 1400 |
| GN 585-25-* | 25 | 1 | 43 | 28 | 1 1/8 | 62 | 59 | 95 | 8.5 t [85.0 kN] | 2300 |

** in general, the bolts and screws are threaded as specified. Variances are possible, however.



X-ON Electronics

Largest Supplier of Electrical and Electronic Components

Click to view similar products for [Mounting Fixings](#) category:

Click to view products by [Elesa & Ganter](#) manufacturer:

Other Similar products are found below :

[007310](#) [007541](#) [6-141-P](#) [620HA038NF09](#) [620HA038NF11](#) [71-074914-006](#) [71-146610-6H](#) [712HA170B23128-N](#) [71-441549-19S](#) [71-490451-4H](#) [75-69211-3P](#) [75-69220-27S](#) [75-69224-5S](#) [770-006A109](#) [770-006A109R](#) [770-006A207](#) [770-006A208W1](#) [770-006A209](#) [770-006A306](#) [770-006A703W1](#) [770-006A704](#) [770-006A704W1](#) [770-006A705](#) [770-006A706](#) [770-006A706W1](#) [770-006A707](#) [770-006A709](#) [770-007A203](#) [770-007A203W1](#) [770-007A204W1](#) [770-007A207W1](#) [770-007A703](#) [770-007A704W1](#) [770-007A706](#) [770-007A707W1](#) [770-010Y208](#) [770-010Y308](#) [770-010Y705](#) [770-010Y706](#) [770-010Y707W1](#) [770-011T201](#) [770-011T203](#) [770-011T701W1](#) [770-011T702](#) [770-011T702W1](#) [770-011T703](#) [770-013210W1](#) [770-013311](#) [770-013312](#) [770-013709](#)