

Holder for spring plungers / Side thrust pins

SPECIFICATION

Types

- Type **LKU**: Fixing from the left, with spring plunger
- Type **RKU**: Fixing from the right, with spring plunger
- Type **BKU**: Fixing from both sides, with spring plunger
- Type **L**: Fixing from the left, without spring plunger
- Type **R**: Fixing from the right, without spring plunger
- Type **B**: Fixing from both sides, without spring plunger

Zinc die casting
nickel plated

Spring plungers GN 614-KU (see page 847)

Housing
Plastic (Polyacetal POM)

temperature resistant up to 50 °C

Ball Stainless Steel AISI 420C, hardened

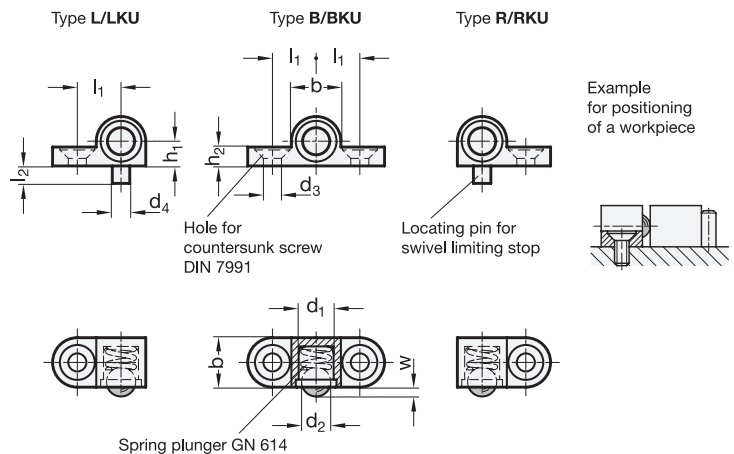


INFORMATION

Holder for spring plungers / Side thrust pins GN 614.1 are used for arresting and as press-on or press-off elements. The easy attachment using one or two countersunk screws also allows its use where a location borehole with the tolerance field H7 for the spring plunger would not be possible from its size and manufacturability. Side thrust pins GN 614.1 consist of a holder for spring plungers and a Stainless Steel-Spring plunger GN 614 of type KU (see page 847). For types R, L and B, only a „empty“ holder for spring plungers (without spring plungers) are supplied which can then be used together with all other design variants of GN 614-6 and GN 614-8 of the types KD, MS and NI.

TECHNICAL INFORMATION

- Stainless Steel characteristics (see page A26)



* Complete with type index of the Holder for spring plungers

LKU RKU BKU L R B

GN 614.1

Description	d1	d2	d3	d4 -0.05	b	h1 ±0.05	h2	l1 ±0.05	l2	w -0.1	Spring load in N initial	Spring load in N end	⚖️
GN 614.1-6-*	6	5	3.2 M3	3	8.5	4.25	3.2	7.5	3	1.6	6.5	13	4
GN 614.1-8-*	8	6.5	4.3 M4	4	10.5	5.25	4.2	9.5	4	1.9	8	18	7

Weight type LKU

X-ON Electronics

Largest Supplier of Electrical and Electronic Components

Click to view similar products for [Other Tools](#) category:

Click to view products by [Elesa & Ganter](#) manufacturer:

Other Similar products are found below :

[CR-05FL7--150R](#) [CR-05FL7--698K](#) [899-2-KT46](#) [899-5-KT46](#) [CR-0AFL4--332K](#) [CR-12FP4--80R6](#) [CRCW04021100FRT7](#)
[CRCW04021961FRT7](#) [5800-0090](#) [CRCW04024021FRT7](#) [CRCW040254R9FRT7](#) [CRCW0603102JRT5](#) [59065-5](#) [00-8273-RDPP](#) [00-8729-](#)
[WHPP](#) [593033](#) [593058](#) [593072](#) [593564100](#) [593575](#) [593591](#) [593593](#) [011349-000](#) [LTLA506SBLAMNBL](#) [CRCW08052740FRT1](#) [LUC-](#)
[012S070DSM](#) [599-2021-3-NME](#) [599-JJ-2021-03](#) [00-5080-YWPP](#) [5E4750/01-20R0-T/R](#) [LW1A-L1-GD](#) [LW1A-L1-GL](#) [LW1A-P1-GD](#)
[LW1L-A1C10V-GL](#) [LW1L-M1C70-A](#) [0202-0173](#) [00-9089-RDPP](#) [00-9300-RDPP](#) [CRCW2010331JR02](#) [01-1003W-8/32-10](#) [601-GP-08-](#)
[KT39](#) [601-JJ-06](#) [601-SPB](#) [601YSY](#) [602-JJ-03](#) [602SPB](#) [603-JJ-07-FP](#) [603-JJY-04](#) [604J](#) [604-JJ-05](#)