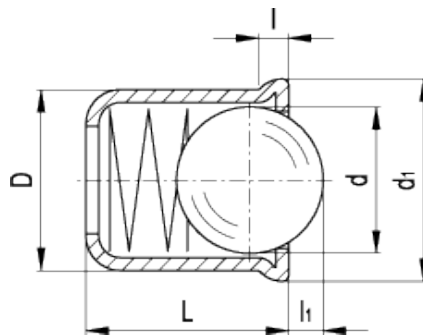


GN 614-NI

Smooth ball spring plungers



INOX
Stainless Steel



technical informations

Body

Stainless steel.

Ball and spring

Hardened stainless steel ball, stainless steel spring.

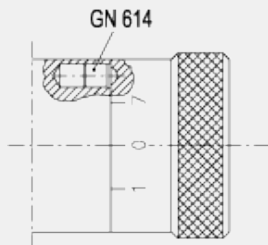
Features and applications

Stainless steel, thanks to its high resistance to corrosion, allows the application of these smooth plungers on machines and equipment in those sectors where laws or particular hygienic, climatic and environmental factors make it mandatory to use corrosion resistant materials.

Accessories

Holders for spring plungers type [GN 614.1](#) to optimise the use of GN 614-NI smooth ball spring plungers.

Application example



Standard Elements	Main dimensions						Spring pressure		Weight
Description	D ^{+0.1}	L	d	d ₁	l	l ₁	Preload [N~]	Max. load [N~]	g
GN 614-3-NI	3	4	2.4	3.5	0.75	0.7	1.8	3.5	1
GN 614-4-NI	4	5	3	4.6	0.9	1	2.5	6	1
GN 614-5-NI	5	6	4	5.6	0.9	1.4	3	6.5	1
GN 614-6-NI	6	7	5	6.5	1	1.8	5.5	11.5	1
GN 614-8-NI	8	9	6.5	8.5	1.1	2.4	7	12.5	2
GN 614-10-NI	10	13	8.5	11	1.7	3.3	8.5	18.5	3
GN 614-12-NI	12	16	10	13	2.3	4	12	26.5	4



ELESA and GANTER models all rights reserved in accordance with the law. Always mention the source when reproducing our drawings.

STANDARD MACHINE ELEMENTS WORLDWIDE

X-ON Electronics

Largest Supplier of Electrical and Electronic Components

Click to view similar products for [Other Tools](#) category:

Click to view products by [Elesa & Ganter](#) manufacturer:

Other Similar products are found below :

[CR-05FL7--150R](#) [CR-05FL7--698K](#) [899-2-KT46](#) [899-5-KT46](#) [CR-0AFL4--332K](#) [CR-12FP4--260R](#) [CRCW04021100FRT7](#)
[CRCW04021961FRT7](#) [5800-0090](#) [CRCW04024021FRT7](#) [CRCW040254R9FRT7](#) [CRCW0603102JRT5](#) [59065-5](#) [00-8273-RDPP](#) [00-8729-](#)
[WHPP](#) [593033](#) [593058](#) [593072](#) [593564100](#) [593575](#) [593591](#) [593593](#) [011349-000](#) [LTLA506SBLAMNBL](#) [CRCW08052740FRT1](#) [LUC-](#)
[012S070DSM](#) [LUC-018S070DSP](#) [599-2021-3-NME](#) [599-JJ-2021-03](#) [00-5080-YWPP](#) [5E4750/01-20R0-T/R](#) [LW1A-L1-GL](#) [LW1A-P1-GD](#)
[LW1L-A1C10V-GL](#) [LW1L-M1C70-A](#) [0202-0173](#) [00-9089-RDPP](#) [00-9300-RDPP](#) [CRCW2010331JR02](#) [01-1003W-8/32-10](#) [601-GP-08-](#)
[KT39](#) [601-JJ-06](#) [601-SPB](#) [601YSY](#) [602-JJ-03](#) [602SPB](#) [602Z](#) [603-JJ-07-FP](#) [603-JJY-04](#) [604J](#)