

Ball jointed levelling feet

Steel / Stainless Steel

SPECIFICATION

Version in Steel ST

Thrust pad

Plastic (Polyacetal POM)

- temperature resistant up to 80 °C
- black, matt

Threaded stud

Steel, blackened

Tensile strength class 5.8

Version in Stainless Steel NI

Thrust pad

Plastic (Polyacetal POM)

- temperature resistant up to 80 °C
- black, matt

Threaded stud

Stainless Steel AISI 303

Version completely in Stainless Steel NV

Thrust pad

Stainless Steel AISI 303

- O-ring rubber FPM (Viton®)
- temperature resistant up to 200 °C

Threaded stud

Stainless Steel AISI 303



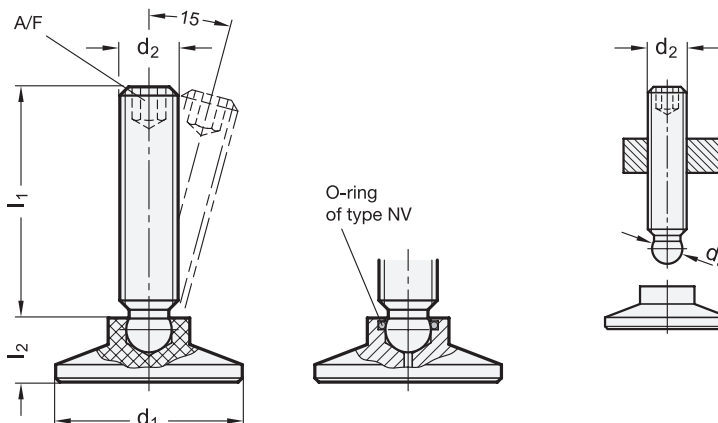
TECHNICAL INFORMATION

- Plastic characteristics (see page A2)
- Stainless Steel characteristics (see page A26)
- Strength values of screws (see page A20)

INFORMATION

Ball pointed levelling feet GN 638 are suitable for universal use. The designs with plastic thrust pad prevent damage to sensitive surfaces. For applications in aggressive environments or higher loads, the stainless steel versions are to be preferred. The ball diameter d_3 is smaller than the core diameter of the thread, with the effect that the screw can be screwed in on the ball side. The ball end can easily be pressed into the thrust pad and removed again, if necessary.

Details regarding the static load capacity have been established by a series of tests but are indicative only. For these tests the loads have been placed vertically and centrally over the stud. At the measured load of 3.5 kN there was no remaining deformation visible on the thrust pad nor was there any breakage.




* Complete with type index of the Ball jointed levelling feet

ST NI
Steel Stainless Steel


GN 638-ST/NI

STAINLESS STEEL

Description	d1	d2	l1	d3	l2	A/F	Static load in kN	
GN 638-15-M6-26-*	15	M 6	26	4.5	7.6	3	3.5	5
GN 638-15-M6-36-*	15	M 6	36	4.5	7.6	3	3.5	6
GN 638-15-M6-46-*	15	M 6	46	4.5	7.6	3	3.5	7
GN 638-15-M8-20-*	15	M 8	20	6.1	7.6	4	3.5	8
GN 638-15-M8-35-*	15	M 8	35	6.1	7.6	4	3.5	11
GN 638-15-M8-45-*	15	M 8	45	6.1	7.6	4	3.5	13
GN 638-15-M8-58-*	15	M 8	58	6.1	7.6	4	3.5	18
GN 638-18-M6-26-*	18	M 6	26	4.5	9.2	3	3.5	11
GN 638-18-M6-36-*	18	M 6	36	4.5	9.2	3	3.5	11
GN 638-18-M6-46-*	18	M 6	46	4.5	9.2	3	3.5	11
GN 638-18-M8-20-*	18	M 8	20	6.1	9.2	4	3.5	11
GN 638-18-M8-35-*	18	M 8	35	6.1	9.2	4	3.5	11
GN 638-18-M8-45-*	18	M 8	45	6.1	9.2	4	3.5	17
GN 638-18-M8-58-*	18	M 8	58	6.1	9.2	4	3.5	19
GN 638-18-M10-34-*	18	M 10	34	7.8	9.2	5	3.5	18
GN 638-18-M10-44-*	18	M 10	44	7.8	9.2	5	3.5	24
GN 638-18-M10-57-*	18	M 10	57	7.8	9.2	5	3.5	29
GN 638-18-M10-74-*	18	M 10	74	7.8	9.2	5	3.5	37
GN 638-21-M6-26-*	21	M 6	26	4.5	10	3	3.5	7
GN 638-21-M6-36-*	21	M 6	36	4.5	10	3	3.5	11
GN 638-21-M6-46-*	21	M 6	46	4.5	10	3	3.5	11
GN 638-21-M8-20-*	21	M 8	20	6.1	10	4	3.5	10
GN 638-21-M8-35-*	21	M 8	35	6.1	10	4	3.5	11
GN 638-21-M8-45-*	21	M 8	45	6.1	10	4	3.5	16
GN 638-21-M8-58-*	21	M 8	58	6.1	10	4	3.5	20
GN 638-21-M10-34-*	21	M 10	34	7.8	10	5	3.5	19
GN 638-21-M10-44-*	21	M 10	44	7.8	10	5	3.5	25
GN 638-21-M10-57-*	21	M 10	57	7.8	10	5	3.5	31
GN 638-21-M10-74-*	21	M 10	74	7.8	10	5	3.5	40
GN 638-21-M12-34-*	21	M 12	34	9.4	10	6	3.5	23
GN 638-21-M12-57-*	21	M 12	57	9.4	10	6	3.5	44
GN 638-21-M12-74-*	21	M 12	74	9.4	10	6	3.5	56
GN 638-21-M12-94-*	21	M 12	94	9.4	10	6	3.5	71
GN 638-25-M6-26-*	25	M 6	26	4.5	10.5	3	3.5	10
GN 638-25-M6-36-*	25	M 6	36	4.5	10.5	3	3.5	11
GN 638-25-M6-46-*	25	M 6	46	4.5	10.5	3	3.5	11
GN 638-25-M8-20-*	25	M 8	20	6.1	10.5	4	3.5	9
GN 638-25-M8-35-*	25	M 8	35	6.1	10.5	4	3.5	14
GN 638-25-M8-45-*	25	M 8	45	6.1	10.5	4	3.5	16
GN 638-25-M8-58-*	25	M 8	58	6.1	10.5	4	3.5	20
GN 638-25-M10-34-*	25	M 10	34	7.8	10.5	5	3.5	21
GN 638-25-M10-44-*	25	M 10	44	7.8	10.5	5	3.5	25
GN 638-25-M10-57-*	25	M 10	57	7.8	10.5	5	3.5	30
GN 638-25-M10-74-*	25	M 10	74	7.8	10.5	5	3.5	40
GN 638-25-M12-34-*	25	M 12	34	9.4	10.5	6	3.5	25
GN 638-25-M12-57-*	25	M 12	57	9.4	10.5	6	3.5	44
GN 638-25-M12-74-*	25	M 12	74	9.4	10.5	6	3.5	57
GN 638-25-M12-94-*	25	M 12	94	9.4	10.5	6	3.5	73

GN 638-ST/NI

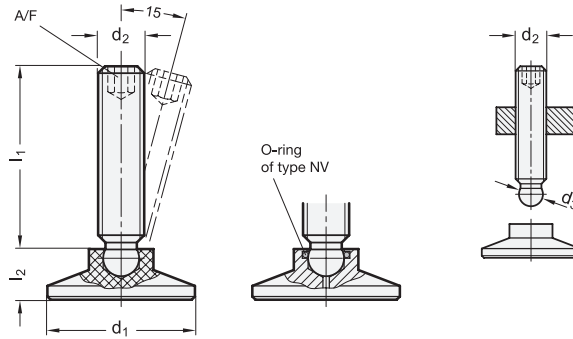
STAINLESS STEEL

Description	d1	d2	l1	d3	l2	A/F	Static load in kN	
GN 638-32-M6-26-*	32	M 6	26	4.5	11	3	3.5	11
GN 638-32-M6-36-*	32	M 6	36	4.5	11	3	3.5	11
GN 638-32-M6-46-*	32	M 6	46	4.5	11	3	3.5	11
GN 638-32-M8-20-*	32	M 8	20	6.1	11	4	3.5	13
GN 638-32-M8-35-*	32	M 8	35	6.1	11	4	3.5	16
GN 638-32-M8-45-*	32	M 8	45	6.1	11	4	3.5	20
GN 638-32-M8-58-*	32	M 8	58	6.1	11	4	3.5	23
GN 638-32-M10-34-*	32	M 10	34	7.8	11	5	3.5	20
GN 638-32-M10-44-*	32	M 10	44	7.8	11	5	3.5	20
GN 638-32-M10-57-*	32	M 10	57	7.8	11	5	3.5	32
GN 638-32-M10-74-*	32	M 10	74	7.8	11	5	3.5	40
GN 638-32-M12-34-*	32	M 12	34	9.4	11	6	3.5	20
GN 638-32-M12-57-*	32	M 12	57	9.4	11	6	3.5	40
GN 638-32-M12-74-*	32	M 12	74	9.4	11	6	3.5	53
GN 638-32-M12-94-*	32	M 12	94	9.4	11	6	3.5	70
GN 638-40-M8-20-*	40	M 8	20	6.1	13	4	3.5	15
GN 638-40-M8-35-*	40	M 8	35	6.1	13	4	3.5	20
GN 638-40-M8-45-*	40	M 8	45	6.1	13	4	3.5	22
GN 638-40-M8-58-*	40	M 8	58	6.1	13	4	3.5	20
GN 638-40-M10-34-*	40	M 10	34	7.8	13	5	3.5	25
GN 638-40-M10-44-*	40	M 10	44	7.8	13	5	3.5	30
GN 638-40-M10-57-*	40	M 10	57	7.8	13	5	3.5	38
GN 638-40-M10-74-*	40	M 10	74	7.8	13	5	3.5	46
GN 638-40-M12-34-*	40	M 12	34	9.4	13	6	3.5	34
GN 638-40-M12-57-*	40	M 12	57	9.4	13	6	3.5	50
GN 638-40-M12-74-*	40	M 12	74	9.4	13	6	3.5	60
GN 638-40-M12-94-*	40	M 12	94	9.4	13	6	3.5	77
GN 638-50-M8-20-*	50	M 8	20	6.1	15.5	4	3.5	22
GN 638-50-M8-35-*	50	M 8	35	6.1	15.5	4	3.5	28
GN 638-50-M8-45-*	50	M 8	45	6.1	15.5	4	3.5	32
GN 638-50-M8-58-*	50	M 8	58	6.1	15.5	4	3.5	37
GN 638-50-M10-34-*	50	M 10	34	7.8	15.5	5	3.5	26
GN 638-50-M10-44-*	50	M 10	44	7.8	15.5	5	3.5	41
GN 638-50-M10-57-*	50	M 10	57	7.8	15.5	5	3.5	49
GN 638-50-M10-74-*	50	M 10	74	7.8	15.5	5	3.5	59
GN 638-50-M12-34-*	50	M 12	34	9.4	15.5	6	3.5	42
GN 638-50-M12-57-*	50	M 12	57	9.4	15.5	6	3.5	62
GN 638-50-M12-74-*	50	M 12	74	9.4	15.5	6	3.5	77
GN 638-50-M12-94-*	50	M 12	94	9.4	15.5	6	3.5	95

Weight type ST



Levelling elements 11



GN 638-NV STAINLESS STEEL

Description	d1	d2	l1	d3	l2	A/F	Static load in kN	Δ
GN 638-21-M6-26-NV	21	M 6	26	4.5	10	3	3.5	20
GN 638-21-M6-36-NV	21	M 6	36	4.5	10	3	3.5	20
GN 638-21-M6-46-NV	21	M 6	46	4.5	10	3	3.5	20
GN 638-21-M8-20-NV	21	M 8	20	6.1	10	4	7	20
GN 638-21-M8-35-NV	21	M 8	35	6.1	10	4	7	20
GN 638-21-M8-45-NV	21	M 8	45	6.1	10	4	7	30
GN 638-21-M8-58-NV	21	M 8	58	6.1	10	4	7	40
GN 638-21-M10-34-NV	21	M 10	34	7.8	10	5	11	32
GN 638-21-M10-44-NV	21	M 10	44	7.8	10	5	11	36
GN 638-21-M10-57-NV	21	M 10	57	7.8	10	5	11	40
GN 638-21-M10-74-NV	21	M 10	74	7.8	10	5	11	58
GN 638-21-M12-34-NV	21	M 12	34	9.4	10	6	16	40
GN 638-21-M12-57-NV	21	M 12	57	9.4	10	6	16	55
GN 638-21-M12-74-NV	21	M 12	74	9.4	10	6	16	78
GN 638-21-M12-94-NV	21	M 12	94	9.4	10	6	16	70
GN 638-25-M6-26-NV	25	M 6	26	4.5	10.5	3	3.5	40
GN 638-25-M6-36-NV	25	M 6	36	4.5	10.5	3	3.5	80
GN 638-25-M6-46-NV	25	M 6	46	4.5	10.5	3	3.5	80
GN 638-25-M8-20-NV	25	M 8	20	6.1	10.5	4	7	38
GN 638-25-M8-35-NV	25	M 8	35	6.1	10.5	4	7	30
GN 638-25-M8-45-NV	25	M 8	45	6.1	10.5	4	7	35
GN 638-25-M8-58-NV	25	M 8	58	6.1	10.5	4	7	38
GN 638-25-M10-34-NV	25	M 10	34	7.8	10.5	5	11	34
GN 638-25-M10-44-NV	25	M 10	44	7.8	10.5	5	11	41
GN 638-25-M10-57-NV	25	M 10	57	7.8	10.5	5	11	50
GN 638-25-M10-74-NV	25	M 10	74	7.8	10.5	5	11	60
GN 638-25-M12-34-NV	25	M 12	34	9.4	10.5	6	16	60
GN 638-25-M12-57-NV	25	M 12	57	9.4	10.5	6	16	75
GN 638-25-M12-74-NV	25	M 12	74	9.4	10.5	6	16	75
GN 638-25-M12-94-NV	25	M 12	94	9.4	10.5	6	16	80
GN 638-32-M6-26-NV	32	M 6	26	4.5	11	3	3.5	39
GN 638-32-M6-36-NV	32	M 6	36	4.5	11	3	3.5	40
GN 638-32-M6-46-NV	32	M 6	46	4.5	11	3	3.5	40
GN 638-32-M8-20-NV	32	M 8	20	6.1	11	4	7	42
GN 638-32-M8-35-NV	32	M 8	35	6.1	11	4	7	40
GN 638-32-M8-45-NV	32	M 8	45	6.1	11	4	7	46
GN 638-32-M8-58-NV	32	M 8	58	6.1	11	4	7	62

GN 638-NV STAINLESS STEEL

Description	d1	d2	l1	d3	l2	A/F	Static load in kN	Δ
GN 638-32-M10-34-NV	32	M 10	34	7.8	11	5	11	50
GN 638-32-M10-44-NV	32	M 10	44	7.8	11	5	11	62
GN 638-32-M10-57-NV	32	M 10	57	7.8	11	5	11	77
GN 638-32-M10-74-NV	32	M 10	74	7.8	11	5	11	89
GN 638-32-M12-34-NV	32	M 12	34	9.4	11	6	16	80
GN 638-32-M12-57-NV	32	M 12	57	9.4	11	6	16	81
GN 638-32-M12-74-NV	32	M 12	74	9.4	11	6	16	86
GN 638-32-M12-94-NV	32	M 12	94	9.4	11	6	16	86
GN 638-40-M8-20-NV	40	M 8	20	6.1	13	4	7	85
GN 638-40-M8-35-NV	40	M 8	35	6.1	13	4	7	80
GN 638-40-M8-45-NV	40	M 8	45	6.1	13	4	7	81
GN 638-40-M8-58-NV	40	M 8	58	6.1	13	4	7	86
GN 638-40-M10-34-NV	40	M 10	34	7.8	13	5	11	87
GN 638-40-M10-44-NV	40	M 10	44	7.8	13	5	11	92
GN 638-40-M10-57-NV	40	M 10	57	7.8	13	5	11	107
GN 638-40-M10-74-NV	40	M 10	74	7.8	13	5	11	107
GN 638-40-M12-34-NV	40	M 12	34	9.4	13	6	16	80
GN 638-40-M12-57-NV	40	M 12	57	9.4	13	6	16	100
GN 638-40-M12-74-NV	40	M 12	74	9.4	13	6	16	120
GN 638-40-M12-94-NV	40	M 12	94	9.4	13	6	16	140
GN 638-50-M8-20-NV	50	M 8	20	6.1	15.5	4	3.5	124
GN 638-50-M8-35-NV	50	M 8	35	6.1	15.5	4	3.5	130
GN 638-50-M8-45-NV	50	M 8	45	6.1	15.5	4	3.5	134
GN 638-50-M8-58-NV	50	M 8	58	6.1	15.5	4	3.5	139
GN 638-50-M10-34-NV	50	M 10	34	7.8	15.5	5	3.5	136
GN 638-50-M10-44-NV	50	M 10	44	7.8	15.5	5	3.5	142
GN 638-50-M10-57-NV	50	M 10	57	7.8	15.5	5	3.5	150
GN 638-50-M10-74-NV	50	M 10	74	7.8	15.5	5	3.5	161
GN 638-50-M12-34-NV	50	M 12	34	9.4	15.5	6	3.5	143
GN 638-50-M12-57-NV	50	M 12	57	9.4	15.5	6	3.5	163
GN 638-50-M12-74-NV	50	M 12	74	9.4	15.5	6	3.5	178
GN 638-50-M12-94-NV	50	M 12	94	9.4	15.5	6	3.5	196

X-ON Electronics

Largest Supplier of Electrical and Electronic Components

Click to view similar products for [Mounting Fixings](#) category:

Click to view products by [Elesa & Ganter](#) manufacturer:

Other Similar products are found below :

[5912235-1 REV - 007541](#) [627](#) [M3783-7001](#) [75-69224-5S](#) [7717-8DAP](#) [85048GBESR](#) [FPK-02-R10](#) [PMS27488-001-01](#) [1-18023-0](#) [H-118-2](#)
[DB1](#) [1302030464](#) [1302010957](#) [1302263564](#) [1302340393](#) [1404-0016-78](#) [14540](#) [1561-60](#) [1566](#) [1566](#) [BR16A](#) [NT20SATT01](#)
[201C5058-01-201 REV E](#) [22594-8](#) [KBB-141](#) [89078GBEPR](#) [89078GBESR](#) [915060](#) [SF4011-60101](#) [97-CS-50](#) [1671](#) [1855-54](#) [T-2085-SP](#)
[20800240002](#) [21899-4](#) [2193](#) [2518](#) [25745-1](#) [H-118-1](#) [354467](#) [37184](#) [4658](#) [4665](#) [4731](#) [BRACKET-RA-30](#) [5500083](#) [HS5659MB35PN](#)
[HS5659MB35SN](#) [HS5659MB98SN](#)