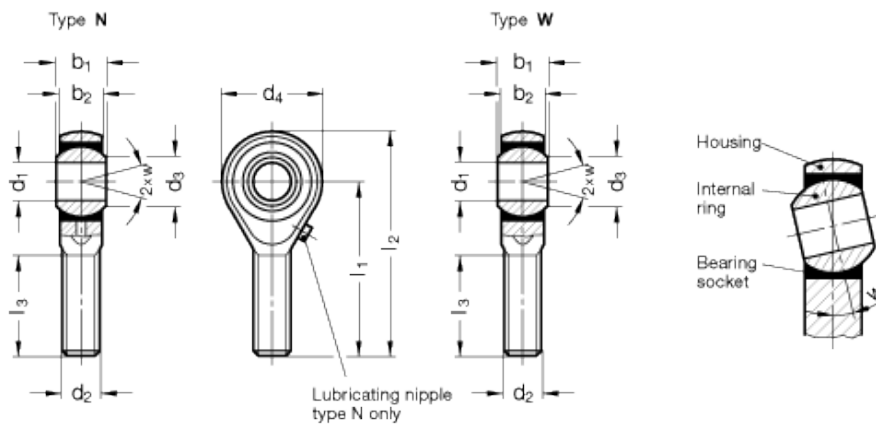


GN 648.2

Ball joints with threaded stud



technical informations

Housing

Zinc-plated steel, blue passivated.

Internal ring

Hardened, ground and polished steel.

Bearing socket

- Version N (lubrication possible): brass.
- Version W (self lubricated): zinc-plated steel with PTFE-insert.

Other standard executions available

Ball joints DIN ISO 12240-0, series E (narrow model) on request.

Features and applications

Ball joints GN 648.2 are similar to DIN ISO 12240-4, series K (formerly DIN 648 K).

Standard Elements	Main dimensions									Movement Angle	Weight
Description	d _{1 H7}	d ₂	b _{1 -0.12}	b ₂	d ₃	d ₄	l ₁	l ₂	l ₃	w	g
GN 648.2-6-M6-N	6	M6	9	6.75	8.9	20	36	46	22	13	15
GN 648.2-6-M6L-N	6	M6L	9	6.75	8.9	20	36	48	22	13	20
GN 648.2-8-M8-N	8	M8	12	9	10.4	24	42	54	25	14	40
GN 648.2-8-M8L-N	8	M8L	12	9	10.4	24	42	54	25	14	40
GN 648.2-10-M10-N	10	M10	14	10.5	12.9	28	48	62	29	13	60
GN 648.2-10-M10L-N	10	M10L	14	10.5	12.9	28	48	62	29	13	60
GN 648.2-12-M12-N	12	M12	16	12	15.4	32	54	70	33	13	95
GN 648.2-12-M12L-N	12	M12L	16	12	15.4	32	54	70	33	13	95
GN 648.2-14-M14-N	14	M14	19	13.5	16.8	36	60	78	38	16	140
GN 648.2-14-M14L-N	14	M14L	19	13.5	16.8	36	60	78	38	16	145
GN 648.2-16-M16-N	16	M16	21	15	19.3	42	66	87	40	15	205
GN 648.2-16-M16L-N	16	M16L	21	15	19.3	42	66	87	40	15	205
GN 648.2-18-M18x1.5-N	18	M18x1.5	23	16.5	21.8	46	72	95	44	15	275
GN 648.2-18-M18x1.5L-N	18	M18x1.5L	23	16.5	21.8	46	72	95	44	15	290
GN 648.2-20-M20x1.5-N	20	M20x1.5	25	17	24.3	50	78	103	47	14	355
GN 648.2-20-M20x1.5L-N	20	M20x1.5	25	17	24.3	50	78	103	47	14	375
GN 648.2-22-M22x1.5-N	22	M22x1.5	28	20	25.8	54	84	111	51	15	470
GN 648.2-22-M22x1.5L-N	22	M22x1.5L	28	20	25.8	54	84	111	51	15	475
GN 648.2-25-M24x2-N	25	M24x2	31	22	29.6	60	94	124	38	15	615
GN 648.2-25-M24x2L-N	25	M24x2L	31	22	29.6	60	94	124	38	15	620
GN 648.2-5-M5-W*	5	M5	8	6	7.7	18	33	42	20	13	14
GN 648.2-5-M5L-W*	5	M5L	8	6	7.7	18	33	42	20	13	15
GN 648.2-6-M6-W	6	M6	9	6.75	8.9	20	36	46	22	13	20
GN 648.2-6-M6L-W	6	M6L	9	6.75	8.9	20	36	46	22	13	20
GN 648.2-8-M8-W	8	M8	12	9	10.4	24	42	54	25	14	40
GN 648.2-8-M8L-W	8	M8L	12	9	10.4	24	42	54	25	14	35
GN 648.2-10-M10-W	10	M10	14	10.5	12.9	28	48	62	29	13	60
GN 648.2-10-M10L-W	10	M10L	14	10.5	12.9	28	48	62	29	13	60
GN 648.2-12-M12-W	12	M12	16	12	15.4	32	54	70	33	13	90
GN 648.2-12-M12L-W	12	M12L	16	12	15.4	32	54	70	33	13	90
GN 648.2-14-M14-W	14	M14	19	13.5	16.8	36	60	78	38	16	130
GN 648.2-14-M14L-W	14	M14L	19	13.5	16.8	36	60	78	38	16	135
GN 648.2-16-M16-W	16	M16	21	15	19.3	42	66	87	40	15	200
GN 648.2-16-M16L-W	16	M16L	21	15	19.3	42	66	87	40	15	205

GN 648.2-18-M18x1.5-W	18	M18x1.5	23	16.5	21.8	46	72	95	44	15	270
GN 648.2-18-M18-1.5L-W	18	M18x1.5L	23	16.5	21.8	46	72	95	44	15	270
GN 648.2-20-M20x1.5-W	20	M20x1.5	25	18	24.3	50	78	103	47	14	355
GN 648.2-20-M20x1.5L-W	20	M20x1.5L	25	18	24.3	50	78	103	47	14	355
GN 648.2-22-M22x1.5-W	22	M22x1.5	28	20	25.8	54	84	111	51	15	455
GN 648.2-22-M22x1.5L-W	22	M22x1.5L	28	20	25.8	54	84	111	51	15	460
GN 648.2-25-M24x2-W	25	M24x2	31	22	29.6	60	94	124	58	15	605
GN 648.2-25-M24x2L-W	25	M24x2L	31	22	29.6	60	94	124	58	15	610
GN 648.2-30-M30x2-W	30	M30x2	37	25	34.8	70	110	145	71	17	1020
GN 648.2-30-M30x2L-W	30	M30x2L	37	25	34.8	70	110	145	71	17	1050



STANDARD MACHINE ELEMENTS WORLDWIDE

X-ON Electronics

Largest Supplier of Electrical and Electronic Components

Click to view similar products for [Mounting Fixings](#) category:

Click to view products by [Elesa & Ganter](#) manufacturer:

Other Similar products are found below :

[5912235-1 REV - 007541](#) [627](#) [M3783-7001](#) [75-69211-3P](#) [75-69214-6P](#) [75-69224-28P](#) [75-69224-5S](#) [7717-8DAP](#) [85043GULPR](#)
[85048GBESR](#) [FPK-02-R10](#) [PMS27488-001-01](#) [1-18023-0](#) [H-118-2](#) [DB1](#) [1302030464](#) [1302010957](#) [1302263564](#) [1302340393](#) [1404-0016-78](#)
[14540](#) [1561-60](#) [1566](#) [1566](#) [BR16A](#) [NT20SATT01](#) [201C5058-01-201 REV E](#) [22594-8](#) [KBB-141](#) [89078GBEPR](#) [89078GBESR](#) [915060](#)
[SF4011-60101](#) [97-CS-50](#) [1671](#) [1855-54](#) [T-2085-SP](#) [20800240002](#) [21899-4](#) [2193](#) [2518](#) [25745-1](#) [H-118-1](#) [354467](#) [37184](#) [4658](#) [4665](#) [4731](#)
[BRACKET-RA-30](#)