

Indexing plungers

Steel / Stainless Steel, with lever, with and without rest position

SPECIFICATION

Types

- Type **B**: without rest position, without locknut
- Type **BK**: without rest position, with locknut
- Type **C**: with rest position, without locknut
- Type **CK**: with rest position, with locknut
- Version in Steel zinc plated, blue passivated **ST**
- Version in Stainless Steel AISI 303 **NI**

Spring
Stainless Steel AISI 301

INFORMATION

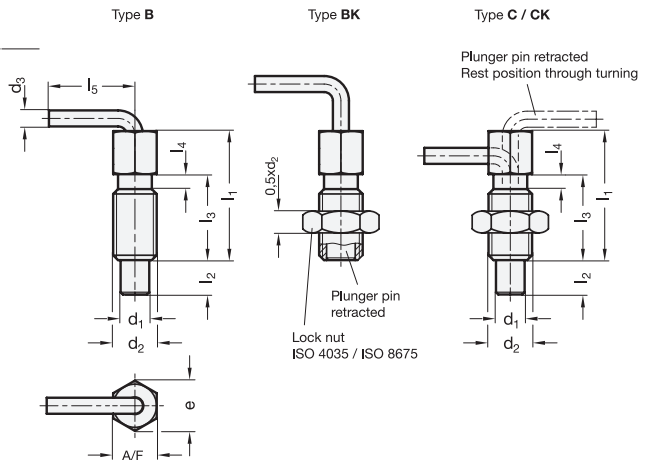
GN 7017 indexing plungers are activated through a lever and are characterized by small dimensions. These indexing plungers are universally applicable due to their prevention of misalignments and positioning errors of the mating indexing bores. The type C / CK with rest position are used for such applications where the plunger has to stay in its retracted position. During assembly, the max. tightening torques shown in the table should not be exceeded when securing the lock nut - Range of indexing plungers (see page 738)

TECHNICAL INFORMATION

- ISO-Fundamental Tolerances (see page A21)
- Stainless Steel characteristics (see page A26)
- Load rating information (see page A42)

* Complete with type index of the Indexing plungers (B, BK, C or CK)

B BK C CK



GN 7017

Description	d1 Bore +0.03/+0.08 Pin h11	d2	d3	e	l1	l2 min.	l3	l4	l5 min.	A/F	Max. tightening torque in Nm	Spring load in N ≈ initial	Spring load in N ≈ end	⚖
GN 7017-4-M6-*-ST	4	M 6	2.5	6.9	32	9.5	20	2.5	16	6	1.6	3	10	6
GN 7017-5-M8-*-ST	5	M 8	3	9.2	42	12	27	3.1	19.5	8	4.5	3.5	13.5	18
GN 7017-6-M10-*-ST	6	M 10	3.5	11.5	51	14	33.5	3.7	24	10	10	4	16	30
GN 7017-8-M12-*-ST	8	M 12	5	13.8	54	19	31.8	4.3	32	12	13	4	22	46
GN 7017-10-M16-*-ST	10	M 16	5	19.6	77.5	25	50.5	5	33.5	16	42	4	23	110

GN 7017-NI

STAINLESS STEEL

Description	d1 Bore +0.03/+0.08 Pin h11	d2	d3	e	l1	l2 min.	l3	l4	l5 min.	A/F	Max. tightening torque in Nm	Spring load in N ≈ initial	Spring load in N ≈ end	⚖
GN 7017-4-M6-*-NI	4	M 6	2.5	6.9	32	9.5	20	2.5	16	6	1.6	3	10	22
GN 7017-5-M8-*-NI	5	M 8	3	9.2	42	12	27	3.1	19.5	8	4.5	3.5	13.5	30
GN 7017-6-M10-*-NI	6	M 10	3.5	11.5	51	14	33.5	3.7	24	10	10	4	16	38
GN 7017-8-M12-*-NI	8	M 12	5	13.8	54	19	31.8	4.3	32	12	13	4	22	39
GN 7017-10-M16-*-NI	10	M 16	5	19.6	77.5	25	50.5	5	33.5	16	42	4	23	70

Weight type B

X-ON Electronics

Largest Supplier of Electrical and Electronic Components

Click to view similar products for [Headers & Wire Housings](#) category:

Click to view products by [Elesa & Ganter](#) manufacturer:

Other Similar products are found below :

[95000-104TRLF](#) [10135584-644402LF](#) [DF62W-EP2022PCA](#) [95000-106TRLF](#) [DF62W-2022SCA](#) [DF62W-EP2022PC](#) [2203348](#) [DF62W-2022SC](#) [1084018](#) [1029039](#) [1084017](#) [802-10-012-10-002000](#) [1112640](#) [1112639](#) [891-007-9SS-BST1T](#) [000-34000](#) [0008550134](#) [0009482033](#) [0009507031](#) [57102-F02-18ULF](#) [57102-S06-03LF](#) [57202-S52-04LF](#) [PCN6-15S-2.5E](#) [0039019024](#) [58102-G61-06LF](#) [582553-1](#) [0009485154](#) [0009508121](#) [009176003701906](#) [0022285053](#) [0050291907](#) [018731A](#) [LY20-4P-DT1-P1E-BR](#) [02.125.8002.8](#) [60101931](#) [60598-1 \(Cut Strip\)](#) [M1625-3R/100](#) [61062-3](#) [61082-181009](#) [CSU011177004](#) [636-1427](#) [638009-1](#) [641938-9](#) [641991-4](#) [644168-1](#) [644827-2](#) [647662-1](#) [65039-019ELF](#) [65692-001LF](#) [65781-018](#)