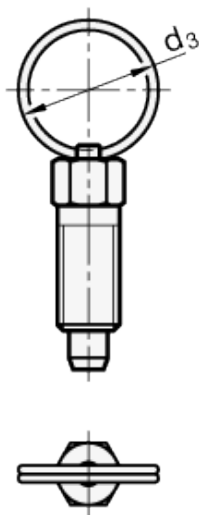


# GN 717

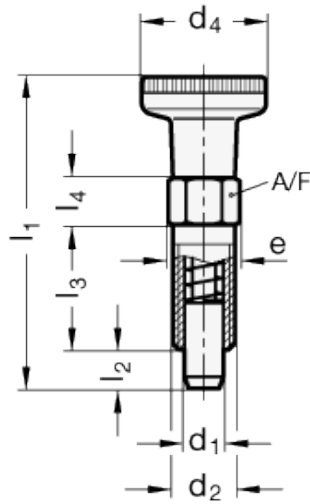
Indexing plungers



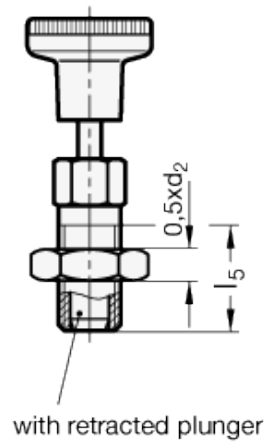
Type A



Type B



Type BK



## technical informations

Threaded body  
Zinc-plated steel.

## Plunger

AISI 303 stainless steel.  
Suggested matching hole with tolerance +0.03/+0.08.

## Locking nut

Zinc-plated steel.

### Lifting ring

Stainless steel.

### "Push/Pull" knurled knob

High resilience polyamide based (PA) technopolymer, black colour, matte finish. Resistant to solvents, oils, greases and other chemical agents.

### Standard versions available

- Type A: with lifting ring, without locking nut, ISO 4035.
- Type AK: with lifting ring, with locking nut.
- Type B: with knob, without locking nut, ISO 4035.
- Type BK: with knob, with locking nut.

### Features and applications

GN 717 indexing plungers are used where positioning operations are required.

GN 717 are a range of low cost indexing plungers which score highly on small dimensions. Their use should, however be limited to such applications where high precision indexing is not required.

Due to comparably small dimensions indexing plungers GN 717, it is advisable to follow the data listed in above table regarding maximum tightening torque during assembly.

Standard Elements	Main dimensions	Spring pressure in <b>N</b> $\approx$		Weig
-------------------	-----------------	--	--	------

Description	d <sub>1</sub>	d <sub>2</sub>	d <sub>3</sub>	d <sub>4</sub>	e	l <sub>1</sub>	l <sub>2</sub> min.	l <sub>3</sub>	l <sub>4</sub>	l <sub>5</sub> min.	A/F	Preload	Max. load	max. tightening torque in Nm	g
	h11														
GN 717-3-M6-A-ST	3	M6	14	-	6.9	-	3.5	12	4.5	10	6	2	3	12	4
GN 717-4-M6-A-ST	4	M6	14	-	6.9	-	4	12	4.5	10	6	2	3	12	4
GN 717-5-M8-A-ST	5	M8	18	-	6.9	-	5	16	6	13.8	8	7	5	24	8
GN 717-6-M10-A-ST	6	M10	24	-	6.9	-	6	20	7.5	17	10	15	5	21	17
GN 717-8-M12-A-ST	8	M12	30	-	6.9	-	8	24	9	20.5	12	20	6	22	30
GN 717-3-M6-AK-ST	3	M6	14	-	6.9	-	3.5	12	4.5	10	6	2	3	12	5
GN 717-4-M6-AK-ST	4	M6	14	-	6.9	-	4	12	4.5	10	6	2	3	12	20
GN 717-5-M8-AK-ST	5	M8	18	-	6.9	-	5	16	6	13.5	8	7	5	24	21
GN 717-6-M10-AK-ST	6	M10	24	-	6.9	-	6	20	7.5	17	10	15	5	21	27
GN 717-8-M12-AK-ST	8	M12	30	-	6.9	-	8	24	9	20.5	12	20	6	22	40
GN 717-3-M6-B-ST	3	M6	-	12	6.9	30	3.5	12	4.5	10	6	2	3	12	4
GN 717-4-M6-B-ST	4	M6	-	12	6.9	30.5	4	12	4.5	10	6	2	3	12	4
GN 717-5-M8-B-ST	5	M8	-	16	6.9	40	5	16	6	13.5	8	7	5	24	9
GN 717-6-M10-B-ST	6	M10	-	18	6.9	52	6	20	7.5	17	10	15	5	21	17
GN 717-8-M12-B-ST	8	M12	-	21	6.9	59	8	24	9	20.5	12	20	6	22	31
GN 717-3-M6-BK-ST	3	M6	-	12	6.9	30	3.5	12	4.5	10	6	2	3	12	5
GN 717-4-M6-BK-ST	4	M6	-	12	6.9	30.5	4	12	4.5	10	6	2	3	12	7
GN 717-5-M8-BK-ST	5	M8	-	16	6.9	40	5	16	6	13.5	8	7	5	24	12
GN 717-6-M10-BK-ST	6	M10	-	18	6.9	52	6	20	7.5	17	10	15	5	21	23
GN 717-8-M12-BK-ST	8	M12	-	21	6.9	59	8	24	9	20.5	12	20	6	22	43
GN 717-3-M6x0.75-A-ST	3	M6x0.75	14	-	6.9	-	3.5	12	4.5	10	6	3	3	12	4
GN 717-4-M8x1-A-ST	4	M8x1	18	-	9.2	-	4.5	16	6	13.5	8	8	5	24	8
GN 717-5-M10x1-A-ST	5	M10x1	18	-	11.5	-	5	16	6	16	10	22	5	24	15
GN 717-6-M12x1.5-A-ST	6	M12x1.5	24	-	13.8	-	6	20	7.5	20	12	38	5	21	20
GN 717-8-M16x1.5-A-ST	8	M16x1.5	30	-	19.6	-	8	24	9	24	17	80	6	22	54
GN 717-3-M6x0.75-AK-ST	3	M6x0.75	14	-	6.9	-	3.5	12	4.5	10	6	3	3	12	15
GN 717-4-M8x1-AK-ST	4	M8x1	18	-	9.2	-	4.5	16	6	13.5	8	8	5	24	19
GN 717-5-M10x1-AK-ST	5	M10x1	18	-	11.5	-	5	16	6	16	10	22	5	24	24
GN 717-6-M12x1.5-AK-ST	6	M12x1.5	24	-	13.8	-	6	20	7.5	20	12	38	5	21	30
GN 717-8-M16x1.5-AK-ST	8	M16x1.5	30	-	19.6	-	8	24	9	24	17	80	6	22	80
GN 717-3-M6x0.75-B-ST	3	M6x0.75	-	12	6.9	30	3.5	12	4.5	10	6	3	3	12	5
GN 717-4-M8x1-B-ST	4	M8x1	-	16	9.2	39.5	4.5	16	6	13.5	8	8	5	24	10
GN 717-5-M10x1-B-ST	5	M10x1	-	18	11.5	42.5	5	16	6	16	10	22	5	24	14
GN 717-6-M12x1.5-B-ST	6	M12x1.5	-	21	13.8	52	6	20	7.5	20	12	38	5	21	26
GN 717-8-M16x1.5-B-ST	8	M16x1.5	-	25	19.6	63.5	8	24	9	24	17	80	6	22	50
GN 717-3-M6x0.75-BK-ST	3	M6x0.75	-	12	6.9	30	3.5	12	4.5	10	6	3	3	12	5
GN 717-4-M8x1-BK-ST	4	M8x1	-	16	9.2	39.5	4.5	12	4.5	13.5	8	8	3	12	10

GN 717-5-M10x1-BK-ST	5	M10x1	-	18	11.5	42.5	5	16	6	16	10	22	5	24	23
GN 717-6-M12x1.5-BK-ST	6	M12x1.5	-	21	13.8	52	6	20	7.5	20	12	38	5	21	43
GN 717-8-M16x1.5-BK-ST	8	M10x1.5	-	25	19.6	63.5	8	24	9	24	17	80	6	22	80



ELESA and GANTER models all rights reserved in accordance with the law. Always mention the source when reproducing our drawings.

**STANDARD MACHINE ELEMENTS WORLDWIDE**

## X-ON Electronics

Largest Supplier of Electrical and Electronic Components

*Click to view similar products for [Heavy Duty Power Connectors](#) category:*

*Click to view products by [Elesa & Ganter](#) manufacturer:*

Other Similar products are found below :

[647757-1](#) [6643411-1](#) [6646058-2](#) [6646137-1](#) [6646138-1](#) [6646479-1](#) [6646608-1](#) [6646786-1](#) [6646940-1](#) [6651091-1](#) [6651525-1](#) [6651529-1](#)  
[6651788-1](#) [696475-1](#) [702-32-01109](#) [703-25-02205](#) [73000005059](#) [73000005642](#) [73080255059](#) [765-15-0080A](#) [765-16-0080B](#) [765-18-0080D](#)  
[829992-1](#) [902-77-02113](#) [PS00/A0620/6300](#) [PS25/A0420/63](#) [129-1J](#) [1409400](#) [AN0024023](#) [1460286](#) [E6374G1](#) [e6389g2](#) [157-43GW8](#)  
[MS3117-14AC](#) [1643543-1](#) [1650540-1](#) [1651811-2](#) [1766260-1](#) [1766282-1](#) [1766966-1](#) [1791340000](#) [NLDFT-3-BL-L-S120-M40A](#) [NLDFT-N-](#)  
[W-L-C240-M40B](#) [NLS-2-R-C240-M40B](#) [NLS-N-W-C240-M40B](#) [NPS-3-BL-T6](#) [1986615-1](#) [2-1589900-8](#) [2199314-1](#) [9300480317](#)